



Scan me!

Contract & Commercial

Overmount Styles



Undermount Styles



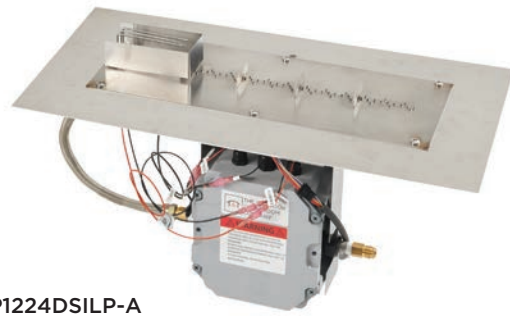
- Direct spark ignition (DSI) system with on/off switch operation
- Flame can be automatically ignited with a single control either on the fire pit or nearby surface
- If flame is not sensed for any reason, the flow of gas to the burner will safely shut down
- DSI system comes set up to run on 110V but can also be used on optional battery operation (CF-DSI-BP)
- Order specific for liquid propane or natural gas (not field-convertible)
- Includes red emergency stop button
- Switch bypass (CF-DSI-SB) included with burner for safe and controlled user operation
- Optional timer, wall switch, Bluetooth® smart app, and other control panel configurations sold separately (see page 54 for control options)
- Ventilation required for field-installed burner enclosures
- Installation should be completed by a certified gas technician
- Patent pending
- UL and ULC listed



Burner with included components.



**CFP1224DSILP
CFP1224DSING**



**BP1224DSILP-A
BP1224DSING-A**

Linear Burners (overmount style)

NAME	SKU (LP/NG)	BTUs (LP/NG)	LENGTH	WIDTH	HEIGHT	MAXIMUM FIRE MEDIA
12" x 24" Crystal Fire® Plus Burner with DSI	CFP1224DSILP/ CFP1224DSING	55,000**	25.63"	13.5"	14.39"	10 lbs
12" x 42" Crystal Fire® Plus Burner with DSI	CFP1242DSILP/ CFP1242DSING	65,000/ 80,000**	42.6"	13.5"	14.38"	15 lbs
12" x 64" Crystal Fire® Plus Burner with DSI	CFP1264DSING*	100,000	64.3"	13.5"	14.38"	20 lbs
12" x 72" Crystal Fire® Plus Burner with DSI	CFP1272DSING*	100,000	72"	13.5"	14.38"	25 lbs
12" x 84" Crystal Fire® Plus Burner with DSI	CFP1284DSING*	120,000	84"	13.5"	14.38"	25 lbs
12" x 96" Crystal Fire® Plus Burner with DSI	CFP1296DSING*	130,000	96"	13.5"	14.38"	30 lbs
12" x 108" Crystal Fire® Plus Burner with DSI	CFP12108DSING*	140,000	108"	13.5"	14.38"	35 lbs
12" x 120" Crystal Fire® Plus Burner with DSI	CFP12120DSING*	140,000	120"	13.5"	14.38"	40 lbs

Linear Burner Insert and Plate Kits (undermount style)

NAME	SKU*** (LP/NG)	BTUs (LP/NG)	LENGTH	WIDTH	HEIGHT	MAXIMUM FIRE MEDIA
12" x 24" Crystal Fire® Plus Burner Insert and Plate Kit with DSI	BP1224DSILP-A/ BP1224DSING-A	55,000**	25.63"	13.5"	14.24"	15 lbs
12" x 36" Crystal Fire® Plus Burner Insert and Plate Kit with DSI	BP1236DSILP-A/ BP1236DSING-A	55,000**	36"	13.5"	14.24"	20 lbs
12" x 42" Crystal Fire® Plus Burner Insert and Plate Kit with DSI	BP1242DSILP-A/ BP1242DSING-A	80,000**	42.6"	13.5"	14.24"	20 lbs
12" x 60" Crystal Fire® Plus Burner Insert and Plate Kit with DSI	BP1260DSILP-A/ BP1260DSING-A	80,000**	60"	13.5"	14.24"	25 lbs
12" x 64" Crystal Fire® Plus Burner Insert and Plate Kit with DSI	BP1264DSING-A*	100,000	64.3"	13.5"	14.39"	25 lbs
12" x 72" Crystal Fire® Plus Burner Insert and Plate Kit with DSI	BP1272DSING-A*	100,000	72"	13.5"	14.26"	30 lbs
12" x 84" Crystal Fire® Plus Burner Insert and Plate Kit with DSI	BP1284DSING-A*	120,000	84"	13.5"	14.26"	30 lbs
12" x 96" Crystal Fire® Plus Burner Insert and Plate Kit with DSI	BP1296DSING-A*	130,000	96"	13.5"	14.26"	35 lbs
12" x 108" Crystal Fire® Plus Burner Insert and Plate Kit with DSI	BP12108DSING-A*	140,000	108"	13.5"	14.26"	40 lbs
12" x 120" Crystal Fire® Plus Burner Insert and Plate Kit with DSI	BP12120DSING-A*	140,000	120"	13.5"	14.26"	45 lbs

*Liquid propane option available upon request.

**Booster orifice available to increase BTU capacity if desired and approved for finishing structure. Glass wind guard required if booster orifice used with any OGC gas fire pit table.

***Burner plate kits include corresponding burner insert and burner plate. Burner insert can be purchased on its own if desired. Contact OGC for burner insert specifications.



Add some flare to your space.

Round Burners (overmount style)

NAME	SKU (LP/NG)	BTUs (LP/NG)	LENGTH	WIDTH	HEIGHT	MAXIMUM FIRE MEDIA
20" Round Crystal Fire® Plus Burner with DSI	CFP20DSILP/ CFP20DSING	55,000*	21.06"	21.06"	11.71"	10 lbs
30" Round Crystal Fire® Plus Burner with DSI	CFP30DSILP/ CFP30DSING	150,000	32"	32"	11.2"	25 lbs

Round Burner Insert and Plate Kits (undermount style)

NAME	SKU** (LP/NG)	BTUs (LP/NG)	LENGTH	WIDTH	HEIGHT	MAXIMUM FIRE MEDIA
20" Round Crystal Fire® Plus Burner Insert & Plate Kit with DSI	BP20RDDSILP-A/ BP20RDDSING-A	55,000*	21.06"	21.06"	15.3"	15 lbs
24" Round Crystal Fire® Plus Burner Insert & Plate Kit with DSI	BP24RDDSILP-A/ BP24RDDSING-A	55,000*	24"	24"	15.3"	20 lbs
30" Round Crystal Fire® Plus Burner Insert & Plate Kit with DSI	BP30RDDSILP-A/ BP30RDDSING-A	150,000	32"	32"	14.61"	25 lbs
36" Round Crystal Fire® Plus Burner Insert & Plate Kit with DSI	BP36RDDSILP-A/ BP36RDDSING-A	150,000	36"	36"	14.61"	50 lbs
42" Round Crystal Fire® Plus Burner Insert & Plate Kit with DSI	BP42RDDSILP-A/ BP42RDDSING-A	150,000	42"	42"	14.61"	70 lbs
48" Round Crystal Fire® Plus Burner Insert & Plate Kit with DSI	BP48RDDSILP-A/ BP48RDDSING-A	150,000	48"	48"	14.61"	90 lbs

*Booster orifice available to increase BTU capacity if desired and approved for finishing structure. Glass wind guard required if booster orifice used with any OGC gas fire pit table.

**Burner plate kits include corresponding burner insert and burner plate. Burner insert can be purchased on its own if desired. Contact OGC for burner insert specifications.



CFP30DSILP
CFP30DSING



BP36RDDSILP-A
BP36RDDSING-A



CFP2424DSILP
CFP2424DSING



BP36SDSILP-A
BP36SDSING-A

Square Burners (overmount style)

NAME	SKU (LP/NG)	BTUs (LP/NG)	LENGTH	WIDTH	HEIGHT	MAXIMUM FIRE MEDIA
24" x 24" Crystal Fire® Plus Burner with DSI	CFP2424DSILP/ CFP2424DSING	55,000*	25.75"	25.75"	14.71"	20 lbs

Square Burner Insert and Plate Kits (undermount style)

NAME	SKU** (LP/NG)	BTUs (LP/NG)	LENGTH	WIDTH	HEIGHT	MAXIMUM FIRE MEDIA
24" x 24" Crystal Fire® Plus Burner Insert & Plate Kit with DSI	BP24SDSILP-A/ BP24SDSING-A	55,000*	24"	24"	14.66"	30 lbs
30" x 30" Crystal Fire® Plus Burner Insert & Plate Kit with DSI	BP30SDSILP-A/ BP30SDSING-A	55,000*	30"	30"	14.66"	45 lbs
36" x 36" Crystal Fire® Plus Burner Insert & Plate Kit with DSI	BP36SDSILP-A/ BP36SDSING-A	150,000	36"	36"	14.66"	65 lbs
42" x 42" Crystal Fire® Plus Burner Insert & Plate Kit with DSI	BP42SDSILP-A/ BP42SDSING-A	150,000	42"	42"	14.66"	90 lbs

*Booster orifice available to increase BTU capacity if desired and approved for finishing structure. Glass wind guard required if booster orifice used with any OGC gas fire pit table.

**Burner plate kits include corresponding burner insert and burner plate. Burner insert can be purchased on its own if desired. Contact OGC for burner insert specifications.

Factors to consider when selecting your burner:

- 1 **Installation Site:** Is your burner going into an already built surround or will you need a fire table or ready-to-finish base for your burner?
- 2 **Burner Mount:** Whether you are looking for a top overmount or bottom undermount application, we have the burner for you. Choose from drop in burners or burner insert and plate kits.
- 3 **Installation Opening:** What size and shape is your installation opening? Choose from our stocked burners or burner insert and plate kits to fit your space. If a stocked option is not available, ask about our custom options.
- 4 **Operation and Controls:** Do you want controls available for public use or in a more secure, controlled setting? Choose controls, such as a timer, Bluetooth® application, or on/off switch for your application.

Timers



4HRTC



CF-DSI-60MT

- Available in 1-hour and 4-hour options
- Timer replaces controls for direct spark ignition system
- Timer is built into control panel
- Black powder-coated panel with white timer dial
- Dimensions: 6.375" L x 3.5" W

Emergency Stop Button



CFP-ESO-CP



- Immediately shuts off flame when pressed
- Red button included with direct spark ignition system
- Black powder-coated panel with red plastic emergency stop button
- Dimensions: 4.5" L x 2.625" W

On/Off Switch with Emergency Stop Button



WSEP-CP



- On/Off wall switch with emergency stop button
- Replaces controls for direct spark ignition system
- For applications away from the appliance
- Black powder-coated panel with black switch
- Dimensions: 4.5" L x 4.525" W

Timer with Emergency Stop Button



4HRTES-CP



- Four-hour timer with emergency stop button
- Replaces controls for direct spark ignition system
- For applications away from the appliance
- Black powder-coated panel with white timer dial
- Dimensions: 4.5" L x 4.625" W

Bluetooth® Smart App

- Ignite your fire pit or fireplace from your smart device
- Convenient timer automatically turns off the fire
- User-friendly application offers easy installation and syncing process
- Syncs over Bluetooth®
- Available for use with all direct spark ignition systems
- Compatible with iOS™ and Android™
- For residential use only



DSI-SA



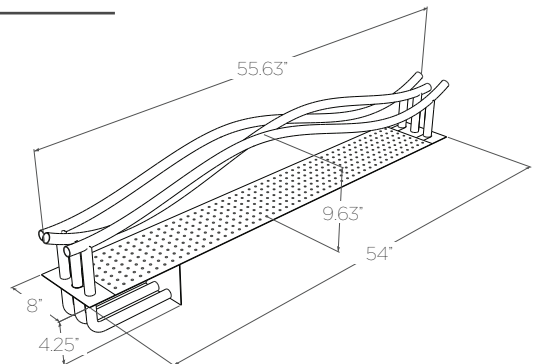


Black Wave Gas Burner



WV-56-LP
WV-56-NG

- Black powder-coated #304 stainless steel
- 54" three-tube burner with black onyx tempered fire glass gems - 150,000 BTUs (LP/NG)
- Includes burner, glass wind guard, ignition system, and glass gems
- Choose between liquid propane (WV-56-LP) or natural gas (WV-56-NG)
- Comes standard with direct spark ignition (DSI)
- UL and ULC listed
- Made in USA with US and imported parts





Crystal Fire® Plus Burners



Overmount Style

(burner shown: CFP1242-K with optional GLASS GUARD-1242)



Undermount Style

(burner shown: BP1264-A)

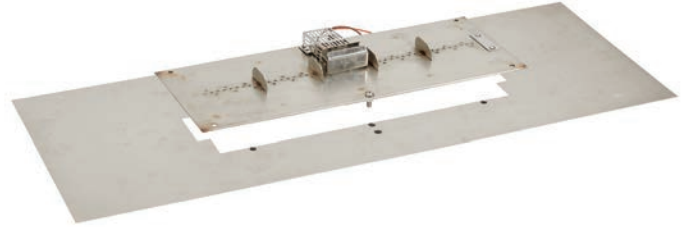


- Burners and burner kits include a variable control safety valve (VCSV), control panel, and clear tempered fire glass gems
- Higher BTU capacity for a brighter, taller, fuller, more yellow flame
- Safety ignition and safety shutdown operations
- “Positive connect” user experience with minimal gas connections for quick installation time
- #304 commercial-grade stainless steel construction
- Safe water drain system through perimeter of the pan
- Comes setup for connection to liquid propane but can be field-converted to natural gas
- Burners and kits above 64” in length include two valves and two control panels
- Installation should be completed by a certified gas technician
- UL and ULC listed to ANSI Z.21.97-2017/CSA 2.41-2017 standard

Crystal Fire^{PLUS}+



CFP1224-K



BP1236-A

Linear Burners (overmount style)

NAME	SKU	BTUs (LP/NG)	LENGTH	WIDTH	HEIGHT	MAXIMUM FIRE MEDIA
12" x 24" Crystal Fire® Plus Burner	CFP1224-K	55,000*	25.63"	13.5"	4.81"	10 lbs
12" x 42" Crystal Fire® Plus Burner	CFP1242-K	65,000/ 80,000*	42.6"	13.5"	4.81"	15 lbs
12" x 64" Crystal Fire® Plus Burner	CFP1264	100,000	64.3"	13.5"	4.81"	20 lbs
12" x 72" Crystal Fire® Plus Burner	CFP1272	125,000	72"	13.5"	4.81"	25 lbs
12" x 84" Crystal Fire® Plus Burner	CFP1284	140,000	84"	13.5"	4.81"	25 lbs
12" x 96" Crystal Fire® Plus Burner	CFP1296	165,000	96"	13.5"	4.81"	30 lbs
12" x 108" Crystal Fire® Plus Burner	CFP12108	180,000	108"	13.5"	4.81"	35 lbs
12" x 120" Crystal Fire® Plus Burner	CFP12120	200,000	120"	13.5"	4.81"	40 lbs

Linear Burner Insert and Plate Kits (undermount style)

NAME	SKU**	BTUs (LP/NG)	LENGTH	WIDTH	HEIGHT	MAXIMUM FIRE MEDIA
12" x 24" Crystal Fire® Plus Burner Insert and Plate Kit	BP1224-A	55,000*	25.63"	13.5"	4.29"	15 lbs
12" x 36" Crystal Fire® Plus Burner Insert and Plate Kit	BP1236-A	55,000*	36"	13.5"	4.29"	20 lbs
12" x 42" Crystal Fire® Plus Burner Insert and Plate Kit	BP1242-A	80,000*	42.6"	13.5"	4.29"	20 lbs
12" x 60" Crystal Fire® Plus Burner Insert and Plate Kit	BP1260-A	80,000*	60"	13.5"	4.29"	25 lbs
12" x 64" Crystal Fire® Plus Burner Insert and Plate Kit	BP1264-A	100,000	64.3"	13.5"	4.29"	25 lbs
12" x 72" Crystal Fire® Plus Burner Insert and Plate Kit	BP1272-A	125,000	72"	13.5"	4.29"	30 lbs
12" x 84" Crystal Fire® Plus Burner Insert and Plate Kit	BP1284-A	140,000	84"	13.5"	4.29"	30 lbs
12" x 96" Crystal Fire® Plus Burner Insert and Plate Kit	BP1296-A	165,000	96"	13.5"	4.29"	35 lbs
12" x 108" Crystal Fire® Plus Burner Insert and Plate Kit	BP12108-A	180,000	108"	13.5"	4.29"	40 lbs
12" x 120" Crystal Fire® Plus Burner Insert and Plate Kit	BP12120-A	200,000	120"	13.5"	4.29"	45 lbs

*Booster orifice available to increase BTU capacity if desired and approved for finishing structure. Glass wind guard required if booster orifice used with any OGC gas fire pit table.

**Burner plate kits include corresponding burner insert and burner plate. Burner insert can be purchased on its own if desired. Contact OGC for burner insert specifications.



Round Burners (overmount style)

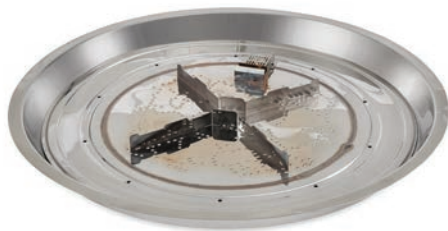
NAME	SKU	BTUs (LP/NG)	LENGTH	WIDTH	HEIGHT	FIRE MEDIA
20" Round Crystal Fire® Plus Burner	CFP20-K	55,000*	21.06"	21.06"	5.39"	10 lbs
30" Round Crystal Fire® Plus Burner	CFP30-K	105,000/ 106,000	32"	32"	5.39"	25 lbs

Round Burner Insert and Plate Kits (undermount style)

NAME	SKU**	BTUs (LP/NG)	LENGTH	WIDTH	HEIGHT	FIRE MEDIA
20" Round Crystal Fire® Plus Burner Insert and Plate Kit	BP20RD-A	55,000*	21.06"	21.06"	4.82"	15 lbs
24" Round Crystal Fire® Plus Burner Insert and Plate Kit	BP24RD-A	55,000*	24"	24"	4.82"	20 lbs
30" Round Crystal Fire® Plus Burner Insert and Plate Kit	BP30RD-A	105,000/ 106,000	32"	32"	4.82"	25 lbs
36" Round Crystal Fire® Plus Burner Insert and Plate Kit	BP36RD-A	105,000/ 106,000	36"	36"	4.82"	50 lbs
42" Round Crystal Fire® Plus Burner Insert and Plate Kit	BP42RD-A	105,000/ 106,000	42"	42"	4.82"	70 lbs
48" Round Crystal Fire® Plus Burner Insert and Plate Kit	BP48RD-A	105,000/ 106,000	48"	48"	4.82"	90 lbs

*Booster orifice available to increase BTU capacity if desired and approved for finishing structure. Glass wind guard required if booster orifice used with any OGC gas fire pit table.

**Burner plate kits include corresponding burner insert and burner plate. Burner insert can be purchased on its own if desired. Contact OGC for burner insert specifications.



CFP30-K



BP36RD-A



Square Burners (overmount style)

NAME	SKU	BTUs (LP/NG)	LENGTH	WIDTH	HEIGHT	FIRE MEDIA
24" x 24" Crystal Fire® Plus Burner	CFP2424-K	55,000*	25.75"	25.75"	4.63"	20 lbs

Square Burner Insert and Plate Kits (undermount style)

NAME	SKU**	BTUs (LP/NG)	LENGTH	WIDTH	HEIGHT	FIRE MEDIA
24" x 24" Crystal Fire® Plus Burner Insert and Plate Kit	BP24S-A	55,000*	24"	24"	4.2"	30 lbs
30" x 30" Crystal Fire® Plus Burner Insert and Plate Kit	BP30S-A	55,000*	30"	24"	4.2"	45 lbs
36" x 36" Crystal Fire® Plus Burner Insert and Plate Kit	BP36S-A	105,000/ 106,000	36"	36"	4.2"	65 lbs
42" x 42" Crystal Fire® Plus Burner Insert and Plate Kit	BP42S-A	105,000/ 106,000	42"	42"	4.2"	90 lbs

*Booster orifice available to increase BTU capacity if desired and approved for finishing structure. Glass wind guard required if booster orifice used with any OGC gas fire pit table.

**Burner plate kits include corresponding burner insert and burner plate. Burner insert can be purchased on its own if desired. Contact OGC for burner insert specifications.



CFP2424-K



BP36S-A



Controls



VCSV-CP



VCSV-DIY-CP

- If flame is not sensed for any reason, the flow of gas to the burner will safely shut down
- Adjustable flame operation
- Black powder-coated panel with black plastic knob and sparker
- For use with liquid propane or natural gas
- Optional gas key available
- Variable Control Safety Valve System (VCSV-CP) included with every standard table Crystal Fire® Plus burner and gas fire pit table (Dimensions: 6.375" H x 3.5" W)
- DIY control panel for use on custom or hardscape block applications (Dimensions: 9.5" L x 3" W x 4" H)
- Order DIY control panel for use with manual ignition (VCSV-DIY-CP) or direct spark ignition (DSI-DIY-CP)

Ventilation



VENT BLOCK BLACK



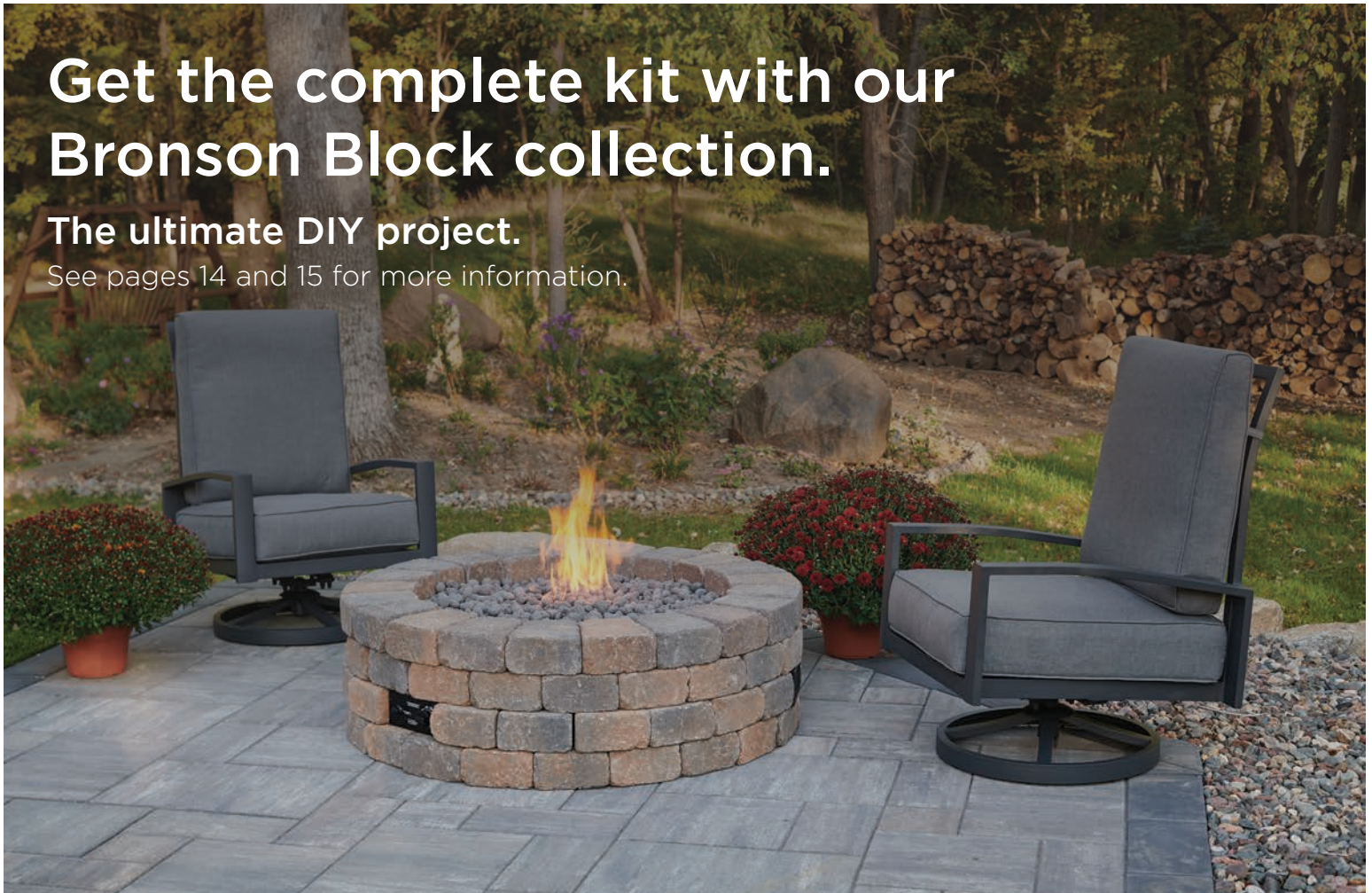
21005

- Crystal Fire® Plus burners require proper ventilation for any DIY or field-installed application
- Black ventilation block (VENT BLOCK BLACK) is made of black powder-coated stainless steel (Dimensions: 8.5" L x 4" W x 4" H)
- Ventilation plate (21005) is made of brushed stainless steel (Dimensions: 12" L x 3" W" x <1" H)

Get the complete kit with our Bronson Block collection.

The ultimate DIY project.

See pages 14 and 15 for more information.





Do-It-Yourself Kits



VENT BLOCK BLACK



VCSV-DIY-CP



CFG-D



BP36RD-A

Specifications

NAME	SKU	BURNER INCLUDED	BTUs (LP/NG)	INCLUDED CLEAR GLASS GEMS
ROUND KITS				
24" Round Do-it-Yourself Crystal Fire® Plus Burner Kit	DIY-24RD-K	BP24RD-A	55,000	24 lbs
36" Round Do-it-Yourself Crystal Fire® Plus Burner Kit	DIY-36RD-K	BP36RD-A	105,000/106,000	36 lbs
42" Round Do-it-Yourself Crystal Fire® Plus Burner Kit	DIY-42RD-K	BP42RD-A	105,000/106,000	60 lbs
48" Round Do-it-Yourself Crystal Fire® Plus Burner Kit	DIY-48RD-K	BP48RD-A	105,000/106,000	96 lbs
SQUARE KITS				
24" x 24" Do-it-Yourself Crystal Fire® Plus Burner Kit	DIY-2424S-K	BP24S-A	55,000	24 lbs
30" x 30" Do-it-Yourself Crystal Fire® Plus Burner Kit	DIY-3030S-K	BP30S-A	55,000	36 lbs
36" x 36" Do-it-Yourself Crystal Fire® Plus Burner Kit	DIY-3636S-K	BP36S-A	105,000/106,000	48 lbs
42" x 42" Do-it-Yourself Crystal Fire® Plus Burner Kit	DIY-4242S-K	BP42S-A	105,000/106,000	96 lbs

- Build your own gas fire pit with a do-it-yourself gas fire pit kit
- Includes Crystal Fire® Plus burner insert, burner plate, control panel, two ventilation blocks, and clear tempered glass gems
- Choose between round or square shapes
- Paver blocks not included
- Made in USA with US and imported parts



Ready-To-Finish Fireplaces



Finished Custom RSTL-60DNG



Finished RFLP-40MLP

-
- Made of G90 marine-grade galvanized steel framing and Fiberock® backerboard
 - Fireplace opening enclosure is lined with #304 stainless steel
 - Most models include direct spark ignition (DSI) — 40" model utilizes manual ignition (VCSV) and includes access door for standard 20 lb. propane tank
 - Includes Crystal Fire® Plus burner insert, pre-installed vents, standard control panel, and glass wind guard panel(s)
 - Other DSI controls, timers, e-stops, and fire media sold separately
 - Can be used for liquid propane or natural gas installations — hard-pipe natural gas installation recommended
 - **Custom sizing available** — contact OGC for more information
 - Made in USA with US and imported parts



RSTL-60DLP



RLFP-40DLP

See-Through Fireplaces

NAME	SKU	BURNER INCLUDED	BTUs (LP/NG)	OVERALL DIMENSIONS			VIEWING AREA	
				LENGTH	WIDTH	HEIGHT	LENGTH	HEIGHT
MANUAL IGNITION (VCSV)*								
40" See-Through Ready-to-Finish Fireplace*	RSTL-40MLP	BI737	65,000/ 80,000	72"	18.5"	48"	40"	20"
DIRECT SPARK IGNITION (DSI)								
40" See-Through Ready-to-Finish Fireplace	RSTL-40DLP/ RSTL-40DNG	BI737DSILP/ BI737DSING	65,000/ 80,000	72"	18.5"	48"	40"	20"
60" See-Through Ready-to-Finish Fireplace	RSTL-60DLP/ RSTL-60DNG	BI757DSILP/ BI757DSING	100,000	92"	18.5"	48"	60"	20"
72" See-Through Ready-to-Finish Fireplace	RSTL-72DLP/ RSTL-72DNG	BI766DSILP/ BI766DSING	100,000	108"	18.5"	48"	72"	20"

Single-Sided Fireplaces

NAME	SKU (LP/NG)	BURNER INCLUDED	BTUs (LP/NG)	OVERALL DIMENSIONS			VIEWING AREA	
				LENGTH	WIDTH	HEIGHT	LENGTH	HEIGHT
MANUAL IGNITION (VCSV)*								
40" Single-Sided Ready-to-Finish Fireplace*	RLFP-40MLP	BI737	65,000/ 80,000	72"	18.5"	48"	40"	20"
DIRECT SPARK IGNITION (DSI)								
40" Single-Sided Ready-to-Finish Fireplace	RLFP-40DLP/ RLFP-40DNG	BI737DSILP/ BI737DSING	65,000/ 80,000	72"	18.5"	48"	40"	20"
60" Single-Sided Ready-to-Finish Fireplace	RLFP-60DLP/ RLFP-60DNG	BI757DSILP/ BI757DSING	100,000	92"	18.5"	48"	60"	20"
72" Single-Sided Ready-to-Finish Fireplace	RLFP-72DLP/ RLFP-72DNG	BI766DSILP/ BI766DSING	100,000	108"	18.5"	48"	72"	20"

DSI Controls



4HRTC



4HRTE-CP



WSEP-CP



CFP-ESO-CP



DSI-SA

*Manual ignition control panel is mounted on lower front face of fireplace. Includes NG conversion kit and access door for LP storage.



Ready-To-Finish Fire Pit Kits



Finished Linear Kit

- Made of G90 marine-grade galvanized steel framing and Fiberock® backerboard
- Choose between manual ignition (VCSV) or direct spark ignition (DSI)
- Includes aluminum top, burner insert, two ventilation plates, and standard control panel
- Control panel will either have turn dial or switch depending on ignition type
- Other DSI controls, timers, e-stops, and fire media sold separately
- Recommended for hard piped natural gas or liquid propane installation
- **Custom sizing available** — contact OGC for more information
- Most do not fit 20 lb. liquid propane tank in base
- Made in USA with US and imported parts



Square kit with included components.

Linear Kits

NAME	SKU (LP/NG)	BURNER INCLUDED	BTUs (LP/NG)	LENGTH	WIDTH	HEIGHT
MANUAL IGNITION (VCSV)						
48" x 36" Linear Ready-to-Finish Kit	RTF48L-K	BI737	65,000/ 80,000	48"	36"	18"
48" x 36" Tall Linear Ready-to-Finish Kit*	RTF48TL-K	BI737	65,000/ 80,000	48"	36"	21"
60" x 36" Linear Ready-to-Finish Kit	RTF60L-K	BI737	65,000/ 80,000	60"	36"	18"
60" x 36" Tall Linear Ready-to-Finish	RTF60TL-K	BI737	65,000/ 80,000	60"	36"	21"
72" x 36" Linear Ready-to-Finish Kit	RTF72L-K	BI757	100,000	72"	36"	18"

DIRECT SPARK IGNITION (DSI)

48" x 36" Linear Ready-to-Finish Kit	RTF48LDNG-K**	BI737DSING	65,000/ 80,000	48"	36"	18"
48" x 36" Tall Linear Ready-to-Finish Kit*	RTF48TLDLP-K/ RTF48TLDNG-K	BI737DSILP/ BI737DSING	65,000/ 80,000	48"	36"	21"
60" x 36" Linear Ready-to-Finish Kit	RTF60LDNG-K**	BI737DSING	65,000/ 80,000	60"	36"	18"
60" x 36" Tall Linear Ready-to-Finish	RTF60TLDLP-K/ RTF60TLDNG-K	BI737DSILP/ BI737DSING	65,000/ 80,000	60"	36"	21"
72" x 36" Linear Ready-to-Finish Kit	RTF72LDNG-K**	BI757DSING	100,000	72"	36"	18"

Round Kits

NAME	SKU	BURNER INCLUDED	BTUs (LP/NG)	LENGTH	WIDTH	HEIGHT
------	-----	-----------------	--------------	--------	-------	--------

MANUAL IGNITION (VCSV)

48" Round Ready-to-Finish Kit	RTF48C-K	BI28	105,000/ 106,000	48"	48"	18"
-------------------------------	----------	------	---------------------	-----	-----	-----

DIRECT SPARK IGNITION (DSI)

48" Round Ready-to-Finish Kit	RTF48CDNG-K**	BI28DSING	150,000	48"	48"	18"
60" Round Ready-to-Finish Kit	RTF60CDNG-K**	BI28DSING	150,000	60"	60"	18"

Square Kits

NAME	SKU	BURNER INCLUDED	BTUs (LP/NG)	LENGTH	WIDTH	HEIGHT
------	-----	-----------------	--------------	--------	-------	--------

MANUAL IGNITION (VCSV)

48" x 48" Square Ready-to-Finish Kit	RTF48S-K	BI28	105,000/ 106,000	48"	48"	18"
--------------------------------------	----------	------	---------------------	-----	-----	-----

DIRECT SPARK IGNITION (DSI)

48" x 48" Square Ready-to-Finish Kit	RTF48SDNG-K**	BI28DSING	150,000	48"	48"	18"
60" x 60" Square Ready-to-Finish Kit	RTF60SDNG-K**	BI28DSING	150,000	60"	60"	18"

*Fits 20 lb. liquid propane tank in base.

**Liquid propane option available upon request.