

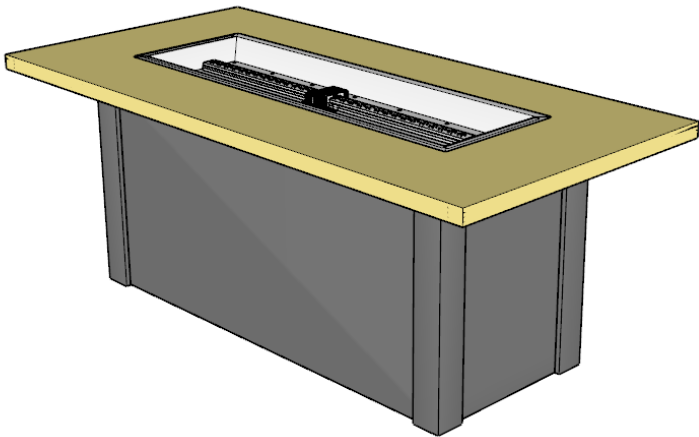


the **outdoor**  
**greatroom**  
company

## Linear Fire Pit Table

Installation Instructions for:

- Havenwood models
- Key Largo models
- Providence models



# Contents

Required tools.....	2
Placing and Assembling the Fire Table.....	3
Sparker Installation.....	5
Gas Connections.....	5
Thermocouple Installation.....	6
Electrode Installation.....	6
Locating Propane tank.....	7
Finishing Touches.....	8
Service Parts.....	10

## Required Tools



- **2 Open Ended Wrenches** - *To make gas connections.*



- **Leather Gloves** - *To protect hands from rough edges found on the table.*



- **One (1) AAA Battery (not included)** - *Required for piezoelectric igniter installation.*



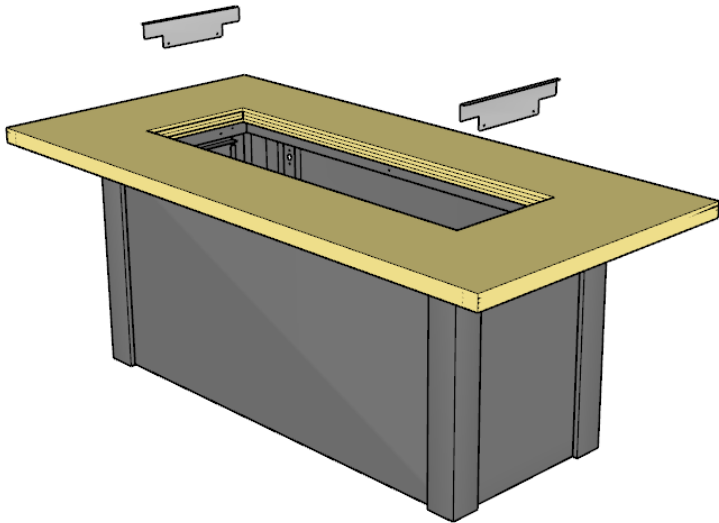
- **Electric Screw Gun with Philips tip** - *(Used for attaching brackets to top and top to frame.)*



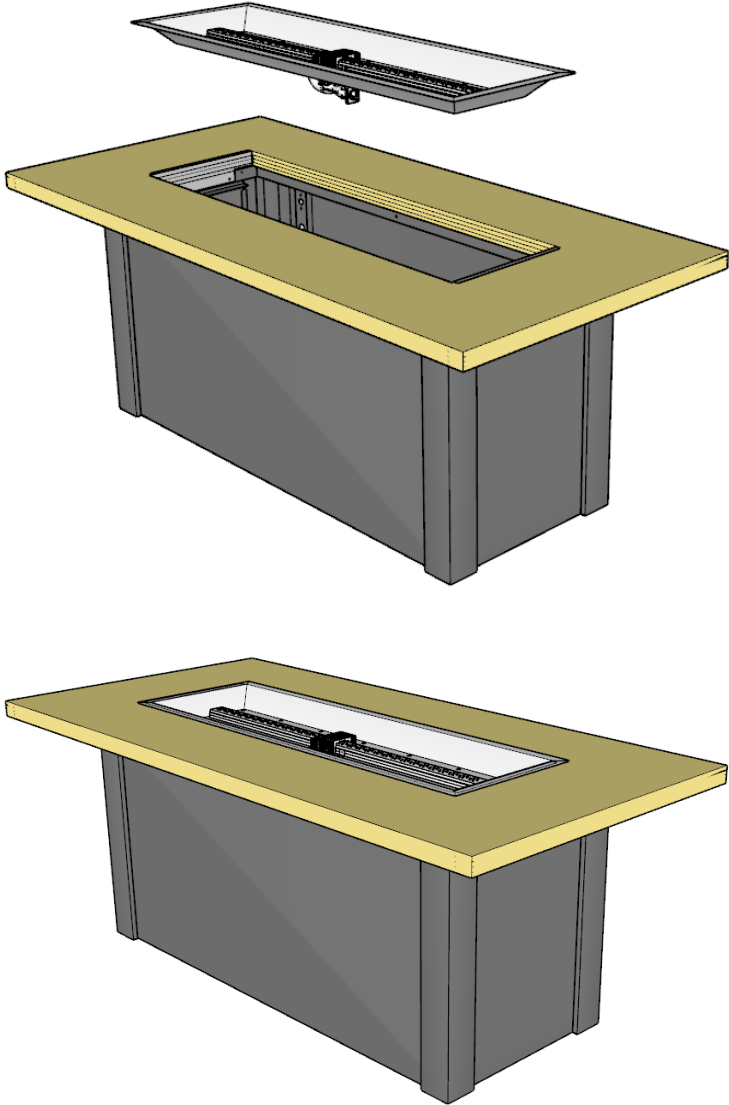
- Do not attempt to perform installation by yourself. This fire table has a heavy top. Have at least one other person help you.

# Placing and Assembling the Fire Table

1. Remove all components from packaging.
2. Move the base section to desired location.
3. When locating your table, refer to the Crystal Fire® Plus manual and maintain clearance to combustibles.
4. Adjust leveling legs on bottom to ensure tank door operates smoothly.
5. If applicable, install LED kit, or skip to step 6.
6. Set top into place.
  - a. Supercast tops & Stainless-Steel tops skip to step 8
7. Everblend top only: install mounting bracket.
  - a. Set brackets into place, attach using supplied screws (4)

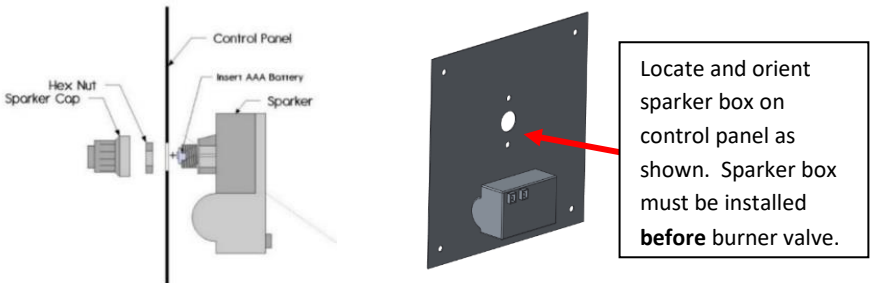


8. Carefully set Burner into place. See the sections labeled Gas Connection and Ignitor Installation to install gas lines and piezo electric igniter.



## CF-SPARKER Installation

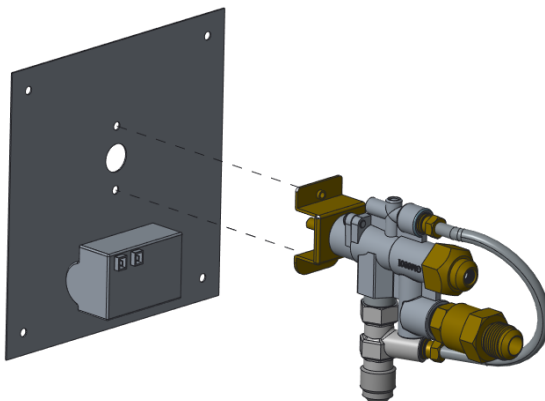
- Remove CF-SPARKER cap and hex nut. Insert AAA battery (not included) with + end out.
- Install CF-SPARKER into control panel as shown below.
- Depress CF-SPARKER button to test your sparker.



## Gas Connections

**Read and understand your Crystal Fire® Plus owner's manual before beginning burner hookups or using the device.**

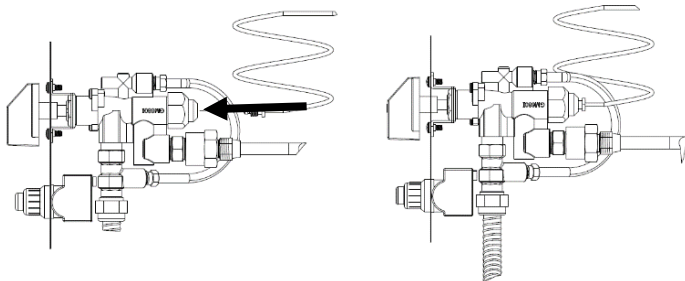
See Crystal Fire Plus® instructions for burner installation.



Attach burner valve to control panel with provided screws as shown below. Ensure sparker box is installed before this step.

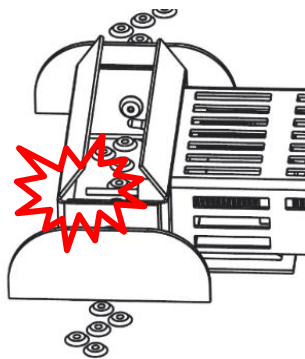
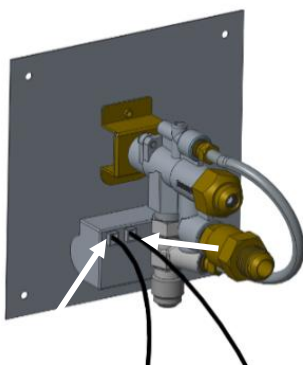
## Thermocouple Installation

- Refer to Crystal Fire® Plus instruction manual for detailed attachment of thermocouple.
- Attach thermocouple to burner valve as shown below.



## Electrode Installation

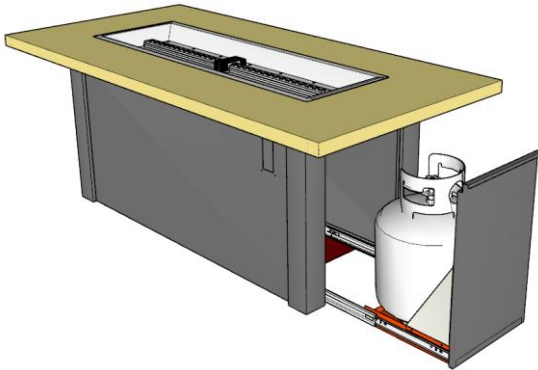
- Connect igniter and ground wire to sparker box. Both wires can connect to either connection point. The unit will operate in either configuration.
- Test system by pushing the button on the ignitor. Consult the troubleshooting section of the Crystal Fire® Plus Burner Owner's Manual, if the spark is weak, intermittent, or not present.



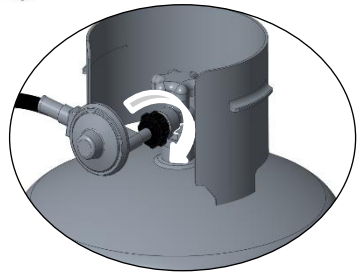
# Locating your Tank

(If applicable)

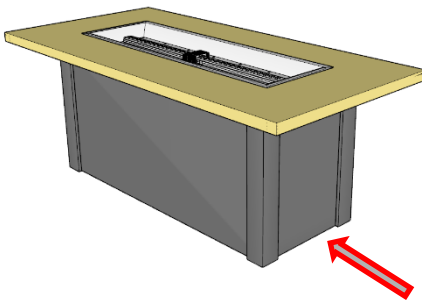
1. Tilt your propane tank into the slide out tank drawer.



2. With the propane tank and control valve in the OFF position, connect the Regulator Hose, included with the Crystal Fire® Plus burner, to your propane tank. Hand tighten connection, do not use tools to tighten this connection.



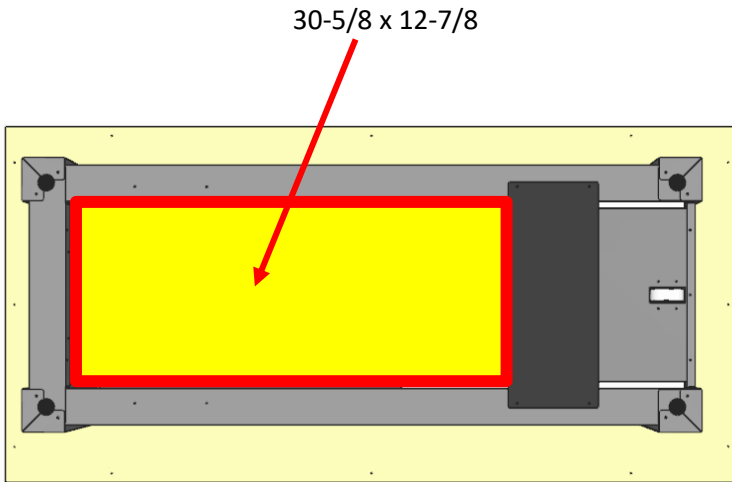
3. Slide tank drawer in. Ensure that the Gas hose does not get pinched in the process of sliding the tank drawer.



**NOTE:** Over time the bearings in the door glides may require re-greasing. Any spray lubricant, such as WD-40, may be used to lubricate drawer glides. Perform annually or on an as needed basis to maintain smooth operation.

## Gas Line Location

- If the fire pit is to be supplied by natural gas or hard piped propane system, locate your plumbing outside the area of the tank drawer. Gas can be stubbed up within the shaded area indicated below.





## Finishing touches

- Once fire pit is set up and in the desired position, scatter decorative glass on burner surface forming an even layer of beads.
- Cover ignitor with decorative glass beads.

**DO NOT BURN WITHOUT GLASS OR OTHER APPROVED  
DECORATIVE FIRE MEDIA**

**DO NOT BURN WITH GLASS BURNER COVER INSTALLED**

### **WARNING**

After consulting the manual and following instructions, remember; before operating, all gas connections must be fully checked for leaks.

## IMPORTANT

Please consult your Crystal Fire® Plus instruction manual for detailed instructions and important information related to hooking up your linear burner, including safety information, proper tightening of connections with two wrenches and full burner setup and lighting instructions.

**DO NOT ATTEMPT TO INSTALL CFP1224 BURNER WITHOUT FIRST CONSULTING THE CRYSTAL FIRE® PLUS MANUAL. IF YOU ARE UNSURE OF HOW TO COMPLETE THE STEPS OUTLINED, CONSULT A QUALIFIED TECHNICIAN**



WARNING: This product can expose you to chemicals including Carbon Monoxide and Benzene which are known to the State of California to cause cancer or birth defects or reproductive harm. For more information, visit [www.P65Warnings.ca.gov](http://www.P65Warnings.ca.gov)

## Service Parts

- Refer to Crystal Fire® Plus instruction manual for burner service parts.

Part	24"	42"
Base Black Graphite White Key Largo stucco Providence	HWB-1224-BASE HWG-1224-BASE HWW-1224-BASE  3007-013	HWB-1242-BASE HWG-1242-BASE HWW-1242-BASE  3007-012
Drawer Assembly Black Graphite White Key Largo Stucco Providence	3007-015-Black 3007-015-Graphite 3007-015-White 3007-015-Stucco 3007-130-Black	
Tops Pebble Carbon Driftwood Supercast Stainless Steel	HVP-3044-TOP HVG-3044-TOP HVD-3044-TOP  PROV-SS-TOP	HVP-3062-TOP HVG-3062-TOP HVD-3062-TOP 2554-1254-MM KEY-LARGO-SS-TOP
Glass Burner Cover	1224-GREY-GLASS-COVER	1242-GREY-GLASS-COVER
Touch up Pebble top Carbon top Driftwood top	EB-TU-PB EB-TU-CG EB-TU-DW	

Thank you for purchasing an Outdoor  
GreatRoom Company product! This fire  
pit was made with pride in the USA  
with US & imported parts.



**Warranty:** Fire pit tables are covered under a 1-year  
manufacturer's warranty. Please visit  
<https://www.outdoorrooms.com/product-registration>  
to register your product.



9583 217<sup>th</sup> St. W. • Lakeville, MN 55044  
Toll Free: 1-866-303-4028 • [Sales@OutdoorRooms.com](mailto:Sales@OutdoorRooms.com)