



THE OUTDOOR
GREATROOM
COMPANY

Darien Fire Table

Installation Instructions for Darien Fire Pit Table
DAR-1224-K, DAR-1224-EBG-K





IMPORTANT



Please consult your Crystal Fire® Plus instruction manual for detailed instructions and important information related to the burner installation including: lighting and operating instructions, safety information, and proper tightening of connections with two wrenches.

DO NOT ATTEMPT TO INSTALL CRYSTAL FIRE® PLUS BURNER WITHOUT CONSULTING THE CRYSTAL FIRE® PLUS OWNER'S MANUAL.

CONTENTS

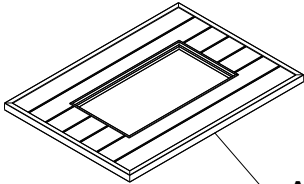
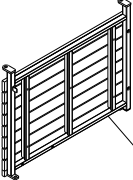
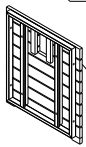


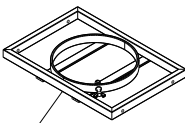



| | |
|---------------------------------|----|
| 1. About Your Fire Table | 2 |
| a. Required Tools | |
| b. Included With Your Fire Pit | |
| 2. Assembly Instructions | 3 |
| a. Unpacking | |
| b. Base Assembly | |
| c. CF-SPARKER Assembly | |
| d. Top Assembly | |
| 3. Setting Up Your Burner | 8 |
| a. Gas Connections | |
| b. Thermocouple Installation | |
| c. Electrode Installation | |
| d. Propane Tank Installation | |
| 4. Miscellaneous | 11 |
| a. Fire Media Installation | |
| b. Glass Cover Installation | |
| 5. Operating Instructions | 12 |
| 6. Warnings | 13 |

1. ABOUT YOUR FIRE TABLE

A. REQUIRED TOOLS

- Utility Knife
To cut and remove packaging
- 2 Open Ended Wrenches
To secure gas connections
- Phillips Screw Driver *(Do not use a drill to assemble)*
For assembly
- One AAA Battery *(Not Included)*
Required for electric spark igniter installation

B. INCLUDED WITH FIRE PIT

| Part Number | Images and Sizes | Qty. |
|-------------|---|------|
| A |  | 1 |
| B |  | 1 |
| C |  | 1 |
| D |  | 1 |
| E |  | 1 |
| F |  | 1 |
| G |  CFP1224 Burner and Accessories (1) | 8 |
| J |  M6*16 | 12 |
| H |  M6*20 | 4 |

Refer to Crystal Fire® Plus manual for items included with Crystal Fire® Plus burners



2. ASSEMBLY INSTRUCTIONS

WARNING

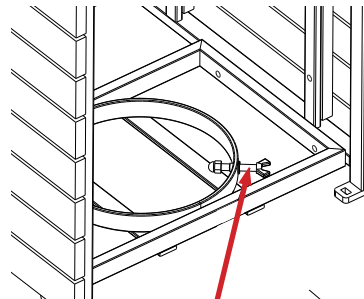
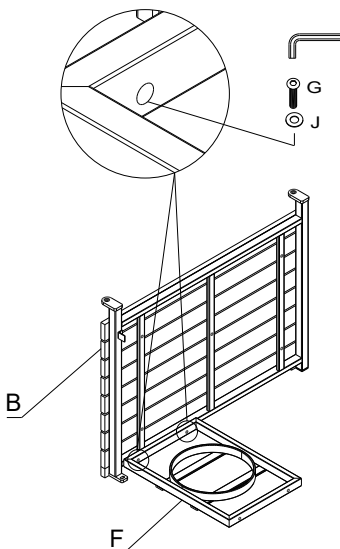
Exposed edges may be sharp, use leather gloves when removing packaging and handling the base. Do not remove protective cardboard packaging until you have placed the fire pit in its desired location.

A. UNPACKING

Do not discard any packaging until assembly is complete and unit is tested. Keep all included manuals in a safe place for future reference. It is recommended to keep top in box on a smooth flat surface. This protects the top from scratches and marks during assembly.

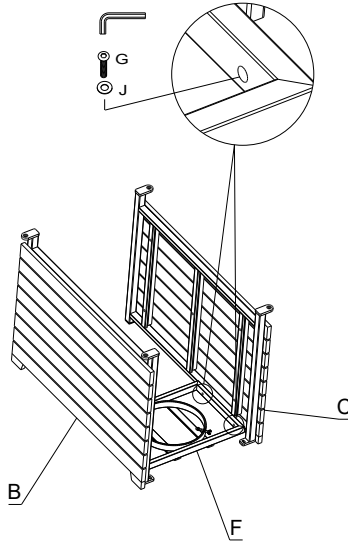
B. BASE ASSEMBLY

1. Using 2X M6*30 Bolts (**G**) and 2X M6*Ø16 Washers (**J**), attach tank Support Base (**F**) to Side Panel (**B**) as shown in image below. Loosely tighten with supplied allen wrench. Take note that wingnut on tank support ring is aligned according to image below.

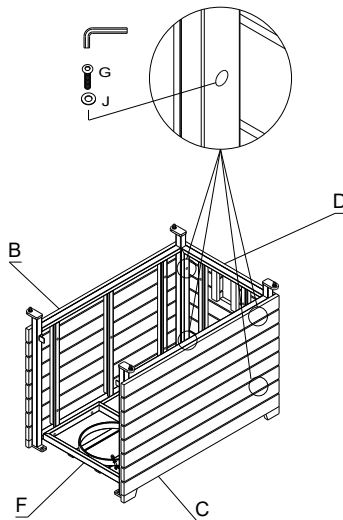


ALIGN WINGNUT AS SHOWN

2. Using 2X M6*30 Bolts (**G**) and 2X M6*Ø16 Washers (**J**), attach Side Panel (**C**) to Tank Support Base (**F**) as shown in image below. Loosely tighten with supplied allen wrench.

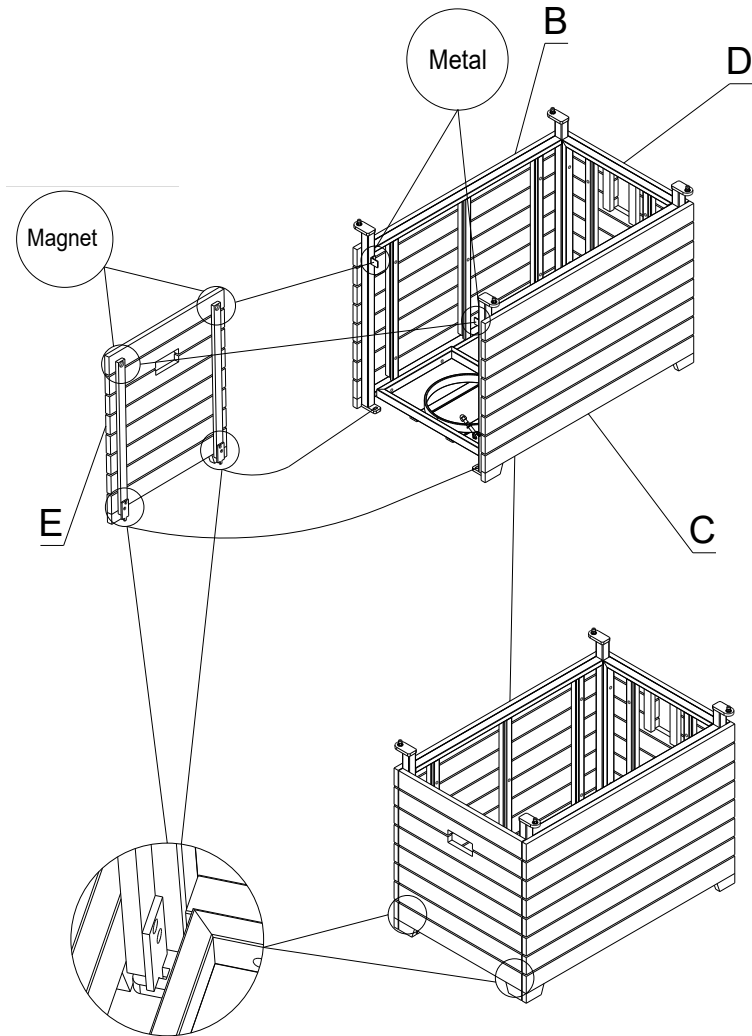


3. Using 4X M6*30 Bolts (**G**) and 4X M6*Ø16 Washers (**J**), attach Back Panel (**D**) to both Side Panels (**B & C**) as shown in image below. Loosely tighten with supplied allen wrench.





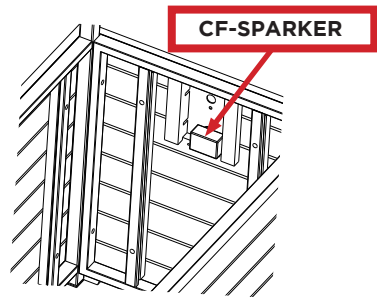
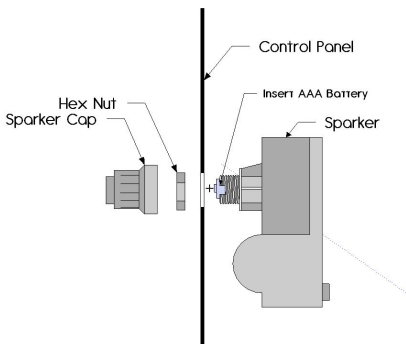
4. Align Door panel (E) pegs to slotted tab openings. Press Door Panel (E) back to metal located on Side panels (B & C). See below for reference.



Fully tighten all screws after completing Step 4.

C. CF-SPARKER ASSEMBLY

- Locate CF-SPARKER inside of Crystal Fire® Plus burner box.
- Remove CF-SPARKER cap and hex nut. Insert AAA battery (*not included*) with + end out.
- Install CF-SPARKER into control panel as shown below. CF-SPARKER must be installed **BEFORE** control valve.
- Press in CF-SPARKER button to test your sparker.

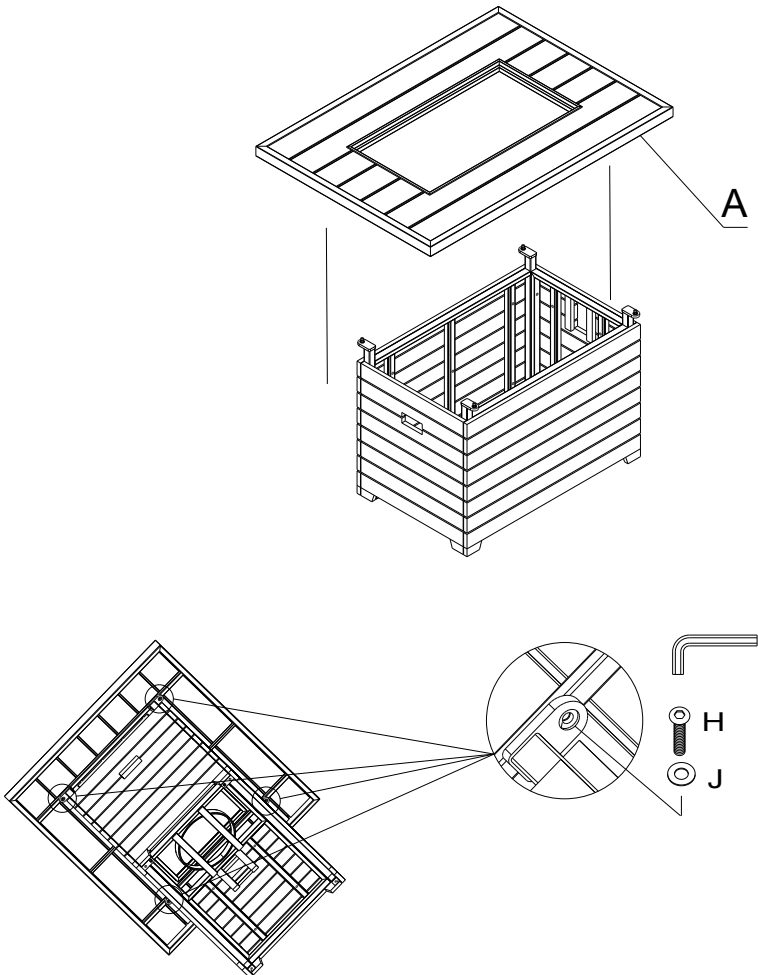




D. TOP ASSEMBLY ASSEMBLY

Using 4X M6*20 Bolts (H) and 4X M6*Ø16 Washer (J), attach Top (A) to the assembled base as shown in image below. Tighten with the use of supplied allen wrench.

** Follow the same process listed above to attach Everblend (DAR-1224-EBG-K) style top.*



3. SETTING UP YOUR BURNER

⚠ ATTENTION ⚠

Read and understand your Crystal Fire® Plus owner's manual before beginning burner hookups or using the device.

DO NOT USE TEFLON TAPE OR PIPE DOPE ON FLARE FITTINGS.

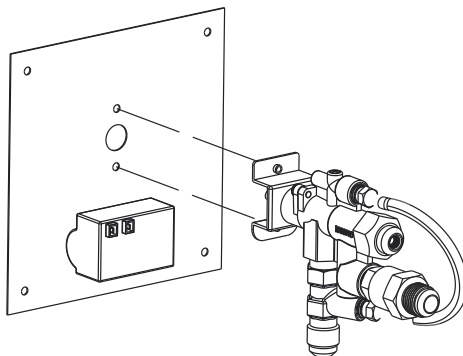
⚠ IMPORTANT ⚠

Please consult your Crystal Fire® Plus instruction manual for detailed instructions and important information related to the burner installation including: lighting and operating instructions, safety information, and proper tightening of connections with two wrenches.

DO NOT ATTEMPT TO INSTALL CRYSTAL FIRE® PLUS BURNER WITHOUT FIRST CONSULTING THE CRYSTAL FIRE® PLUS OWNER'S MANUAL.

A. GAS CONNECTIONS

- See Crystal Fire® Plus instructions for burner installation.
- All gas connections were completed at the factory.
- Check all connections for leaks. If needed, tighten connection with 2 wrenches and re-check for leaks.
- Attach burner valve to control panel with provided screws as shown below. Ensure CF-SPARKER is installed before this step.

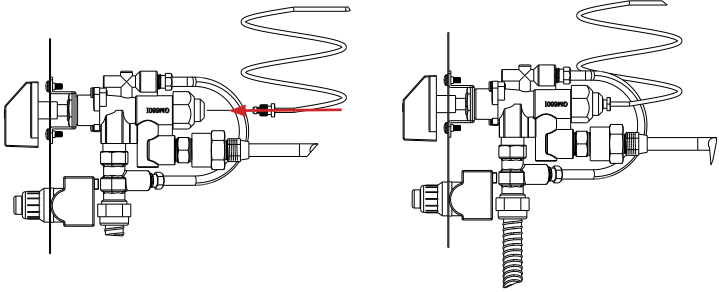


- For hard piped installations. Connect the gas supply line (*not included*) to the 3/8" male flare fitting on the valve. **USE TWO WRENCHES TO ENSURE A GAS TIGHT CONNECTION.**



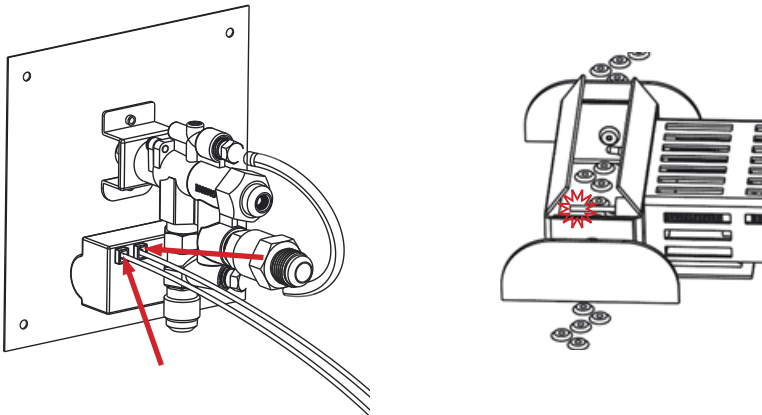
B. THERMOCOUPLE INSTALLATION

- Refer to Crystal Fire® Plus instruction manual for detailed attachment of thermocouple.
- Attach thermocouple to burner valve as shown below.



C. ELECTRODE INSTALLATION

- Plug both BLACK wires hanging from the burner into the back of the CF-SPARKER. If an orange wire is present, DO NOT USE IT. The orange wire is for Direct Spark Ignition system only.
- Test system by pushing the button on the igniter. Consult the troubleshooting section of the Crystal Fire® Plus owner's manual if the spark is weak, intermittent or not present.

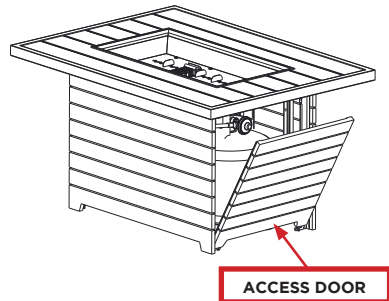
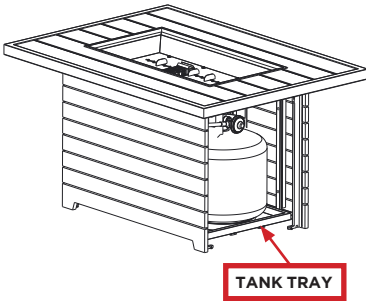
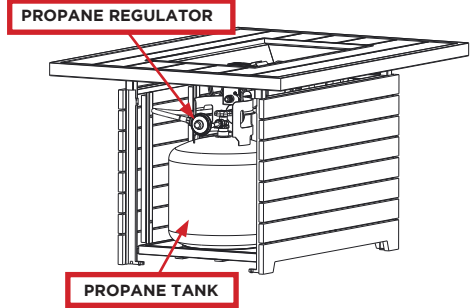


D. PROPANE TANK INSTALLATION

- With the propane tank valve and fire pit valve off, attach the propane regulator to the propane tank.
- Place tank in tank tray.
- Ensure no hoses or wires are contacting the bottom of the burner.
- Replace the access door.



HAND TIGHTEN, DO NOT USE A WRENCH FOR THIS CONNECTION.





4. MISCELLANEOUS

A. FIRE MEDIA INSTALLATION

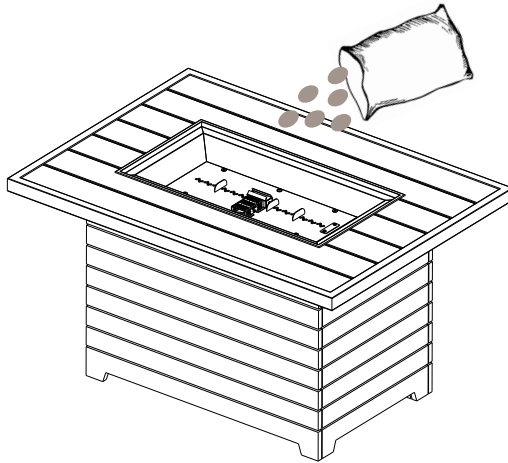
- Scatter all included glass beads, lava rock, or other approved fire media evenly across entire burner surface.



WARNING



DO NOT OPERATE CRYSTAL FIRE® PLUS BURNER WITHOUT INCLUDED GLASS BEADS OR OTHER APPROVED FIRE MEDIA.



B. BURNER COVER INSTALLATION

(NOT INCLUDED)

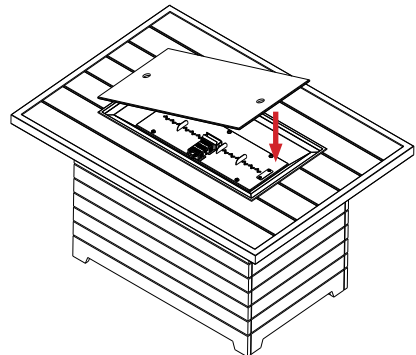
- Fully shut off gas supply to table and turn control valve knob to OFF position. Wait for burner to become cool before placing cover.
- Carefully place the cover on top of the burner.
- Remove burner before attempting ignition.



WARNING



DO NOT OPERATE CRYSTAL FIRE® PLUS BURNER WITH BURNER COVER IN PLACE.



5. OPERATING INSTRUCTIONS

⚠ IMPORTANT ⚠

Before operating your DAR-1224, DAR-1224-EBG ensure all gas connections are properly tightened and thoroughly leak checked. Refer to the Crystal Fire® Plus manual for information on proper leak checking and other critical safety information.

⚠ WARNING ⚠

FIRE OR EXPLOSION HAZARD

If you do not follow these instructions exactly, a fire or explosion may result causing property damage, personal injury, or loss of life.

Verify control valve is in OFF position. If operating on a self-contained propane cylinder, ensure cylinder valve is CLOSED. If operating on a hard-piped system, ensure main gas supply shut-off valve and all other valves in gas system are OPEN.

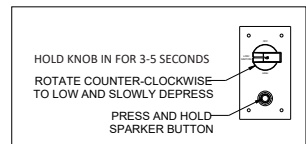
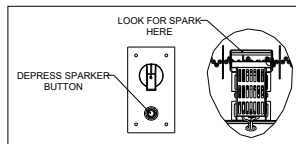
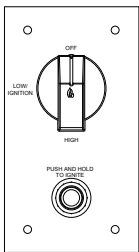
If operating on a self-contained propane cylinder, slowly open cylinder valve.

Press and hold sparker button. Verify an audible and visible spark is present within the ignition wind guard.

Gently press and turn control knob to LOW/IGNITION position. Fully depress control knob and hold for 3-5 seconds. Burner should ignite and continue to operate when control knob is released.

If burner does not light or remain lit after 20 seconds of attempting ignition, turn control valve to OFF position and wait 5 minutes to allow gas to dissipate before attempting ignition again. **DO NOT ATTEMPT TO LIGHT BURNER IF YOU SMELL GAS.**

With burner lit and operating, the flame height can be adjusted between LOW and HIGH at any time.





6. WARNINGS



IMPORTANT



Please consult your Crystal Fire® Plus instruction manual for detailed instructions and important information related to the burner installation including: lighting and operating instructions, safety information, and proper tightening of connections with two wrenches.

DO NOT ATTEMPT TO INSTALL CRYSTAL FIRE® PLUS BURNER WITHOUT FIRST CONSULTING THE CRYSTAL FIRE® PLUS OWNER'S MANUAL.



WARNING



After consulting the manual and following instructions, remember: before operating, all gas connections must be fully checked for leaks.



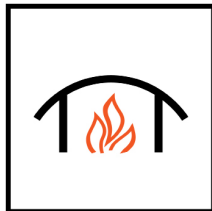
WARNING: This product can expose you to chemicals including Carbon Monoxide and Benzene which are known to the State of California to cause cancer or birth defects or reproductive harm. For more information, visit www.P65Warnings.ca.gov

Thank you for purchasing an
Outdoor GreatRoom Company
product! This fire pit was made
with pride in the USA.



Warranty: Fire pit tables are covered under a 1 year
manufacturer's warranty.

Please visit <http://www.outdoorrooms.com/product-registration>
to register your product.



14400 Southcross Drive West • Suite 100 • Burnsville, MN 55306
Toll Free: 1-866-303-4028 • Sales@OutdoorRooms.com