

FEATURES

Tinted Glass-Ceramic Screen

The Platinum's signature screen spreads comfort evenly across an area while emitting a soft red glow

Ceramic Efficiency

Slow-release ceramic burners efficiently combust gas to fuel the most environmentally friendly gas-fired heating method available

Elegantly Subtle Design

Equally at home as the stunning centerpiece or supporting from the sidelines

Unrivaled Coverage

Projects comfort evenly across a wide range while reaching deeply into open areas

Patented Direct Ignition

Automated direct ignition eliminates the need for a pilot, resulting in instantaneous ignition

Sturdy Construction

Durable stainless steel structures house components of the highest quality, fueling reliable performance

Ultimate Wind Resistance

Patented screen and ionization probe technology enables remarkable wind resistance, functioning reliably in winds of up to 18km/h or 11mph

Ease Of Use

Smart system compatibility and automated re-ignition allows users to simply set and forget

Versatile Mounting

Reclaim valuable floor space through fixed heating with a range of ceiling and wall mounting options

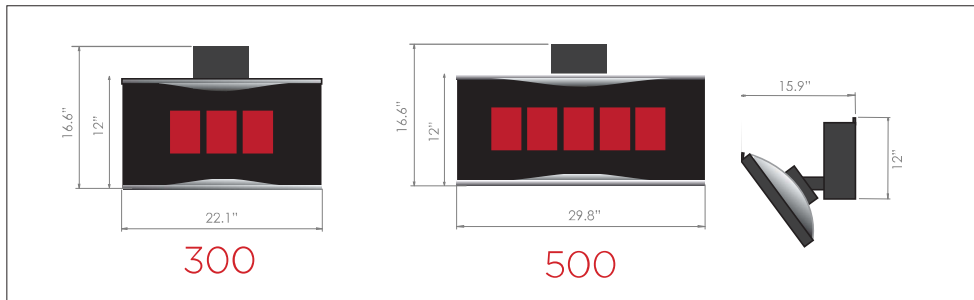
Directional Control

Easy pivot bracket offers adjustable heat direction and coverage

Wireless Control Capabilities

Genuine wireless control accessories allow seamless integration of remote heater control

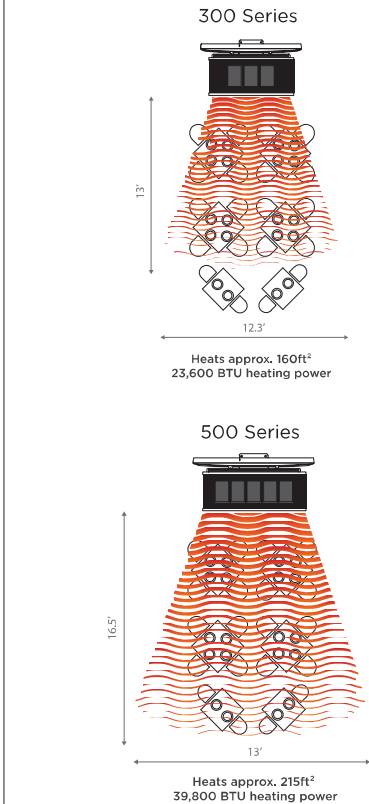
DIMENSIONS



SPECIFICATIONS			
Model		300 Series	500 Series
Part no.	LPG ^{1,2}	BH0110002-1	BH0110004-1
	Natural Gas ^{1,2}	BH0110001-1	BH0110003-1
Heat Deflector part no.		BH3030001-1	BH3030002-1
Ceiling Poles	5 pole lengths to suit ceiling heights of 10.5', 11.2', 11.8', 12.5' and 13' (contact Bromic Heating for more information)		
Heat Output (on LPG and NG)		23,600 BTU	39,800 BTU
Approximate area heated (ft ²)		160 ft ²	215 ft ²
Gas connection		1/2" NPT Female	1/2" NPT Female
Electrical connection		110V/2A, 3-pin insulated plug	110V/2A, 3-pin insulated plug
Dimension (WxDxH)		22.1" x 16.6" x 15.9"	29.8" x 16.6" x 15.9"
Min. distance to combustible materials ² (without heat deflector) ² (with heat deflector) ²	Side: 36" (3')		
	Above (to ceiling): 36" (3')		
	Above (to ceiling): 14"		
Weight (lbs) Including wall bracket		45lb	54lb

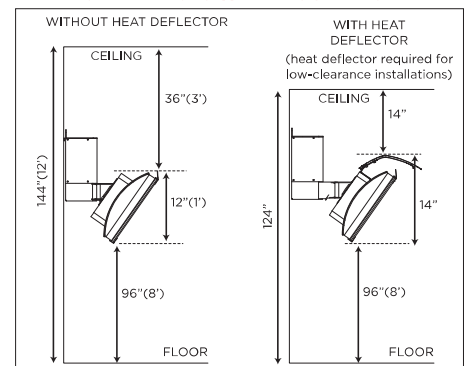
¹Must only be installed by a licensed technician. Must complete "Pre-Installation Checklist" before installing ²The temperature will not exceed 14.9°F above the ambient temperature at specified distances. Please consult material manufacturer for temperature ratings and suitability. Bromic Heating takes no responsibility for material compliance.

HEATING AREAS:



*Heat area dependent on ambient temperature and wind. Optimum conditions experienced at approx 60°F & in a low wind covered environment.

MINIMUM INSTALLATION CLEARANCES WALL MOUNTING



*Non-residential indoor 2500mm

MINIMUM INSTALLATION CLEARANCES CEILING MOUNTING

