



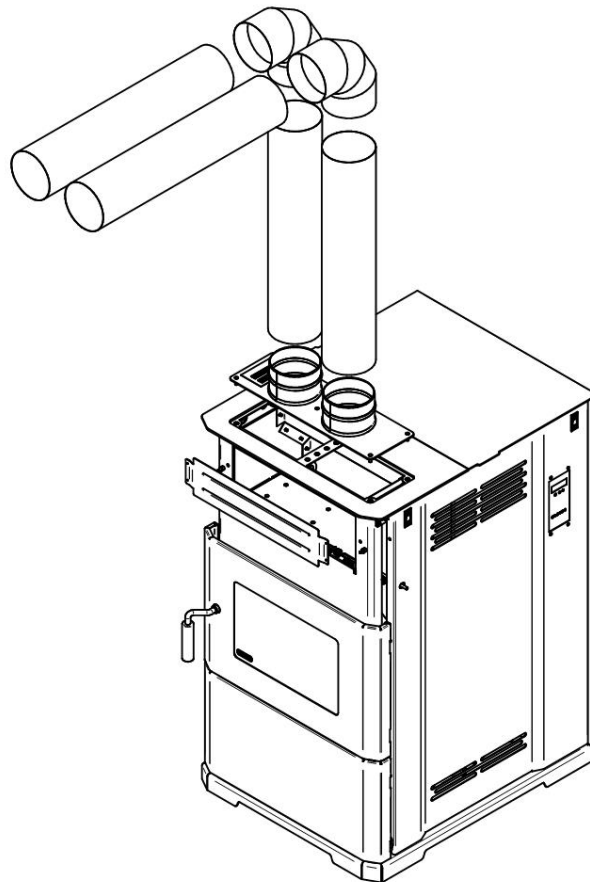
# Installation Instructions

## Hot Air Plenum Kit

---

**AC01225**

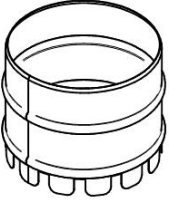
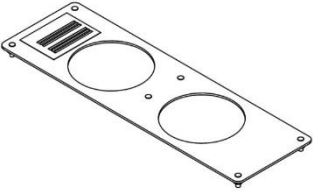
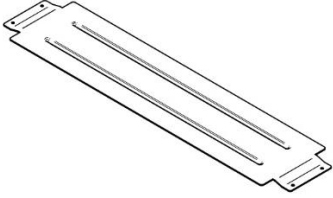
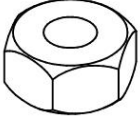
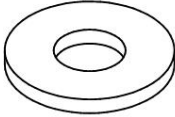
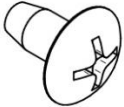
---



## 1. General Informations

This hot air plenum kit is used to heat adjacent and above rooms up to a maximum distance of 20 ft (6.1 m) from the appliance. **Rooms on lower floors cannot be heated.**

## 2. Kit Contents

		
<p>5 in Adapter PL66837 <b>(A)</b> 2x</p>	<p>Hot Air Duct Support (PL75648) <b>(B)</b> 1x</p>	<p>Air Outlet Plate (PL75671) <b>(C)</b> 1x</p>
		
<p>Nut 1/4-20 (30100) <b>(D)</b> 6x</p>	<p>Washer (30185) <b>(E)</b> 6x</p>	<p>Metal screw (31054) <b>(F)</b> 4x</p>

## 3. Other Required Parts (not included)

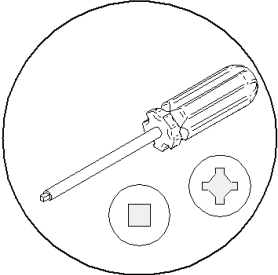
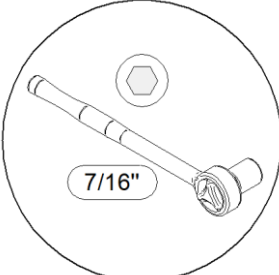
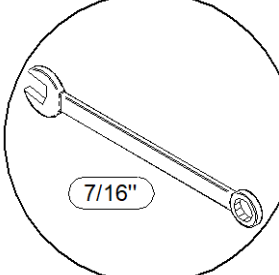
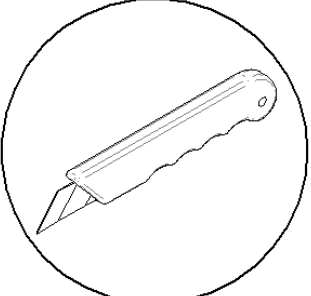
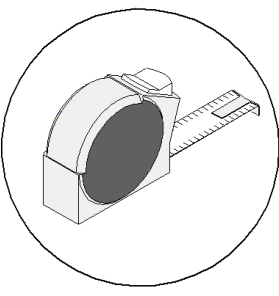

**WARNING:** All components used must withstand a minimum temperature of 325°F.

		
<p>Self-Drilling Screw <b>(G)</b></p>	<p>5 in Galvanised Elbow <b>(H)</b></p>	<p>5 in Semi-Rigid Duct (325°F and more) <b>(I)</b></p>

		
5 in Galvanized Steel Pipe (I)	5 in Flexible Insulated Ducting* (I)	4 in x 10 in x 5 in Angled Boot* (J)
		
4 in x 10 in Steel Floor Register (K)	2 in HVAC Foil Tape	

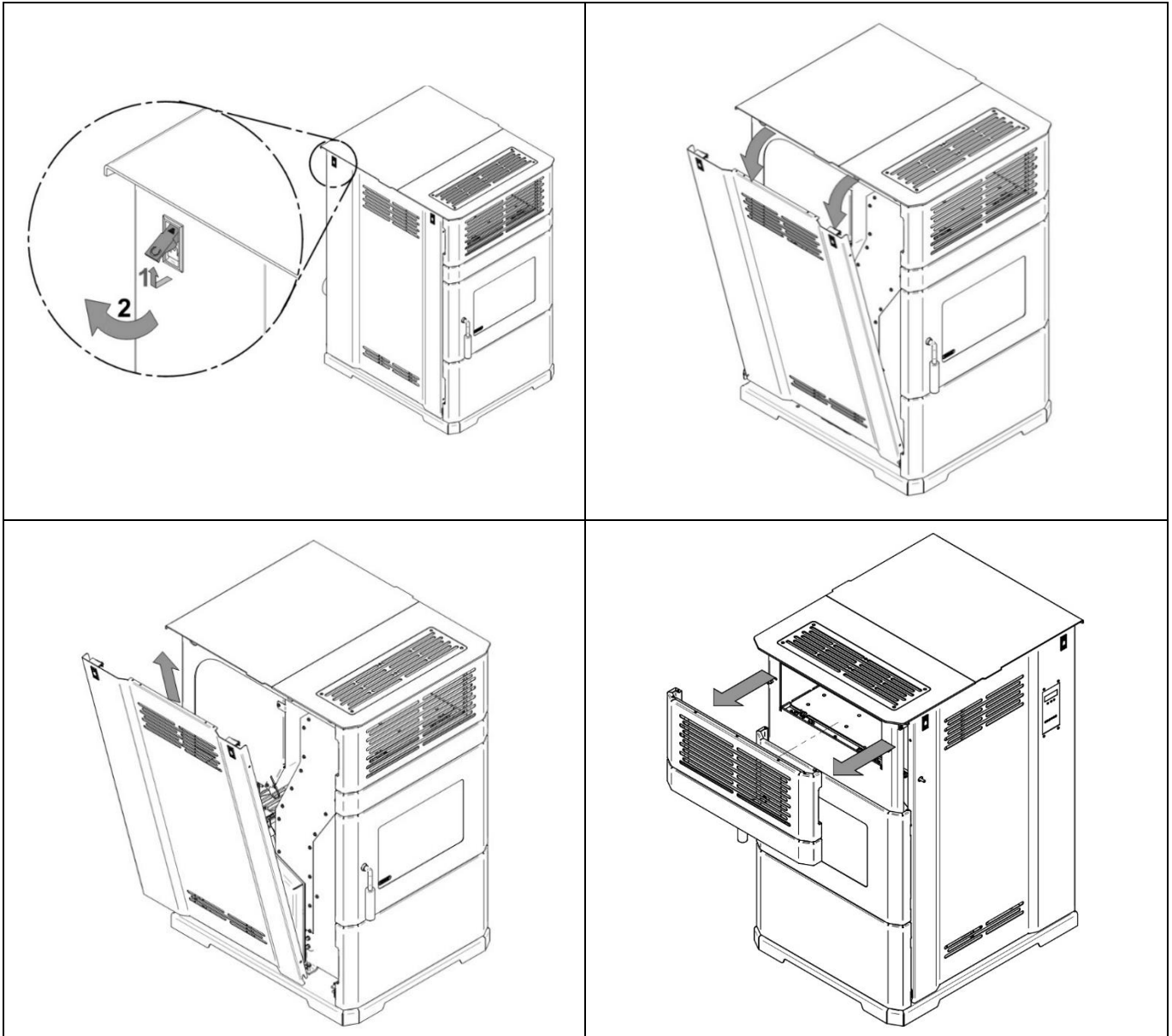
\* Hose Clamp not included but required to seal joints.

#### 4. Required Tools

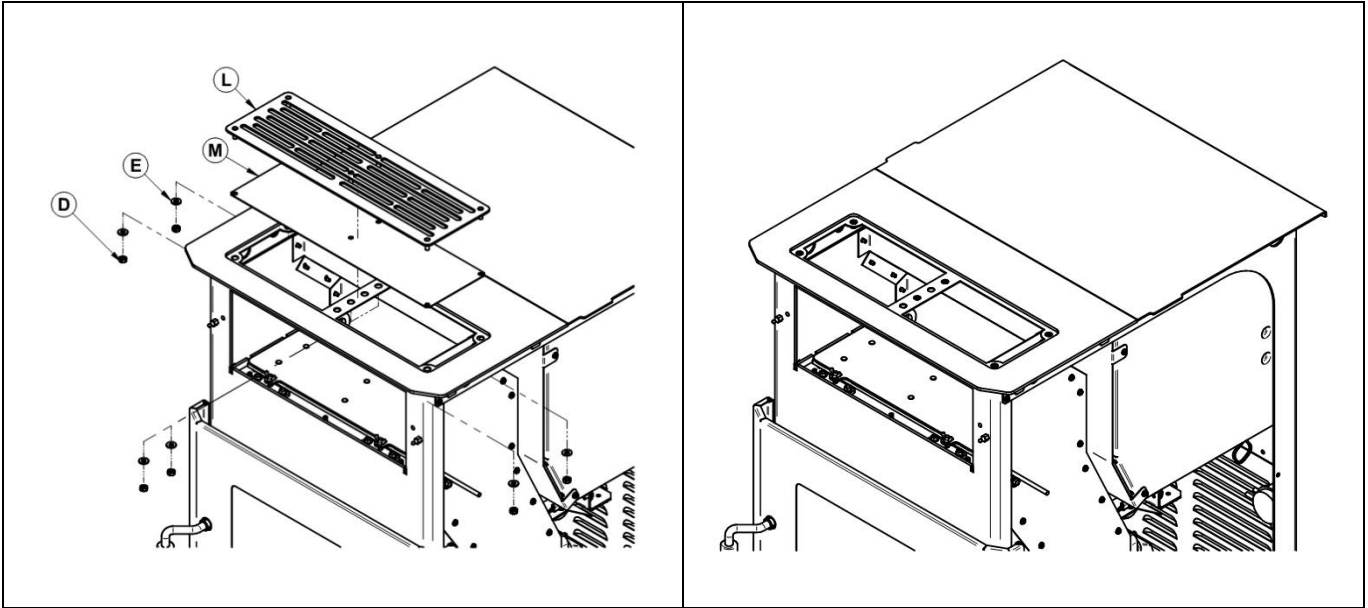
		
Screwdriver	Ratchet wrench with 7/16" socket	Combination wrench 7/16"
		
Utility knife	Tape measure	Sheet Metal Cutters

## 5. Installation Instructions

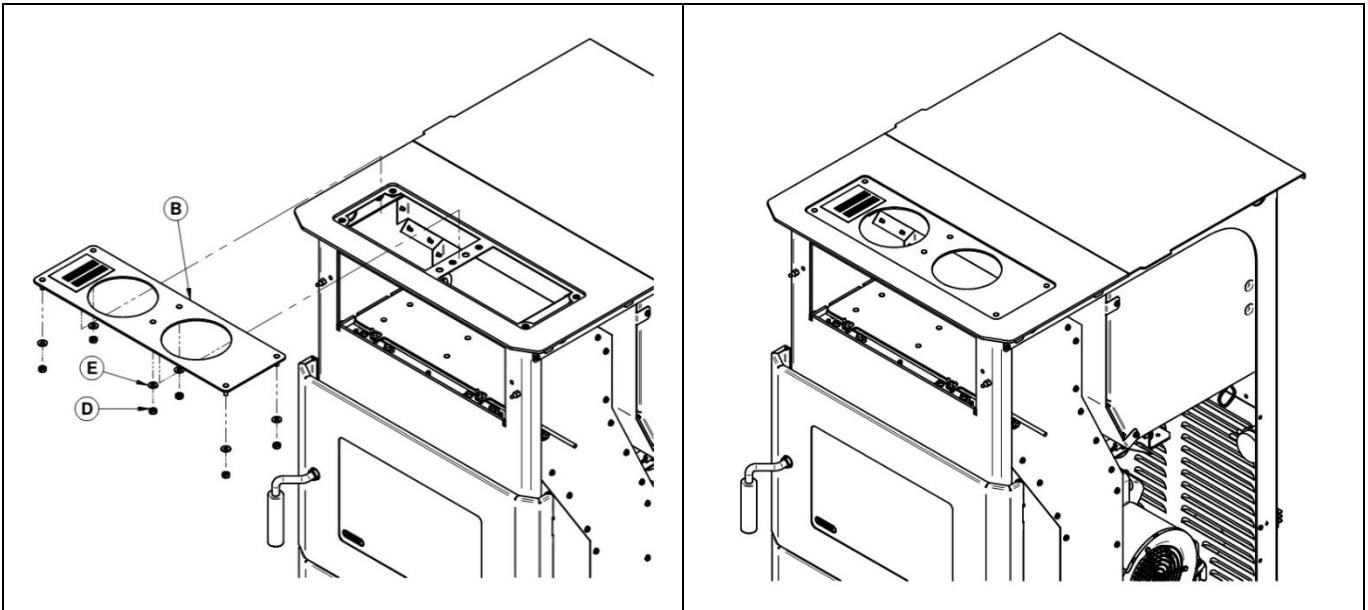
1. First, remove the left and right decorative panels (unplug the control panel carefully). Next, remove the front decorative grille.



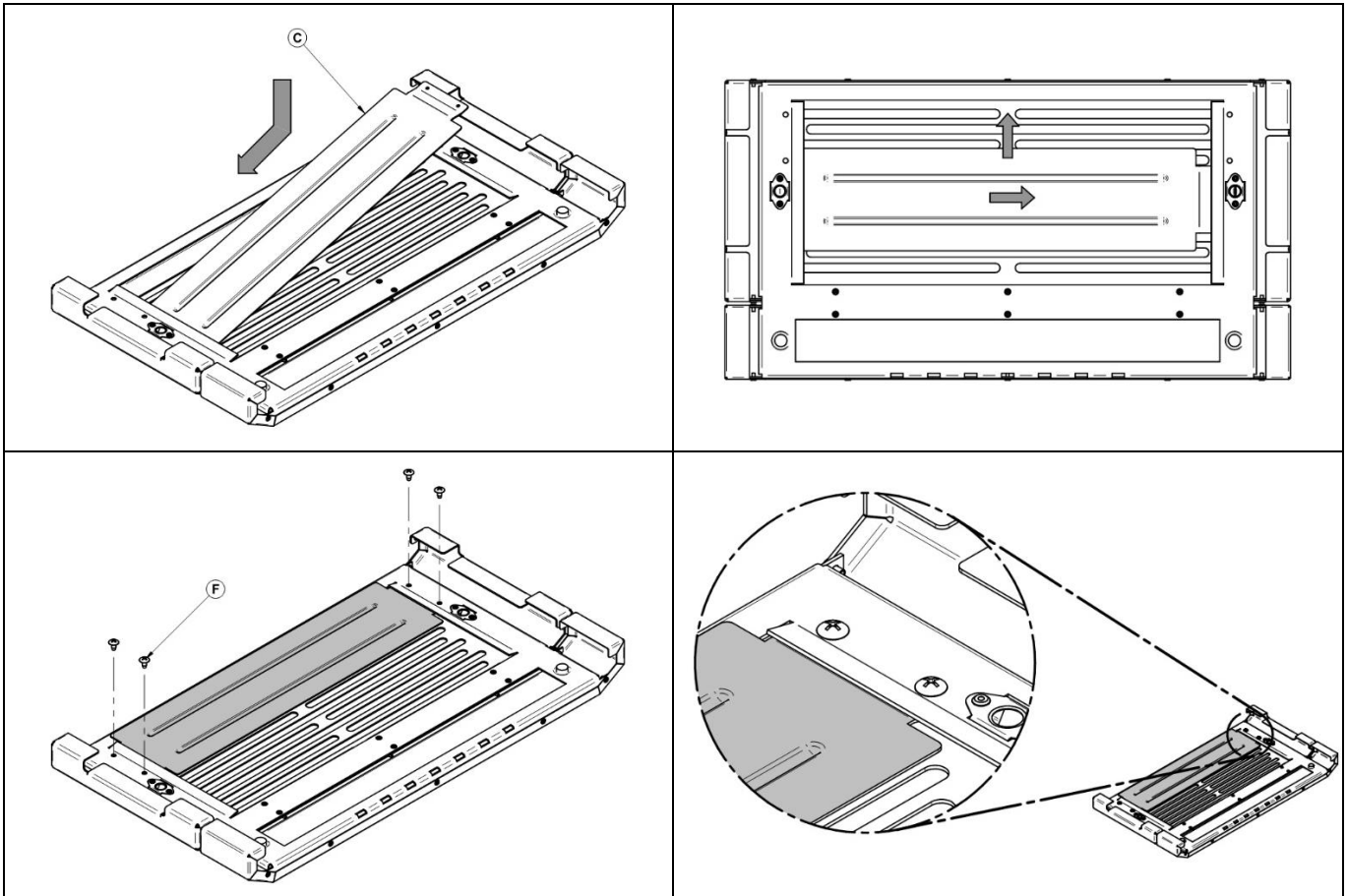
2. Remove the top grille (**L**) and the stopper plate (**M**). To do this, unscrew the 6 7/16" nuts that hold them in place.



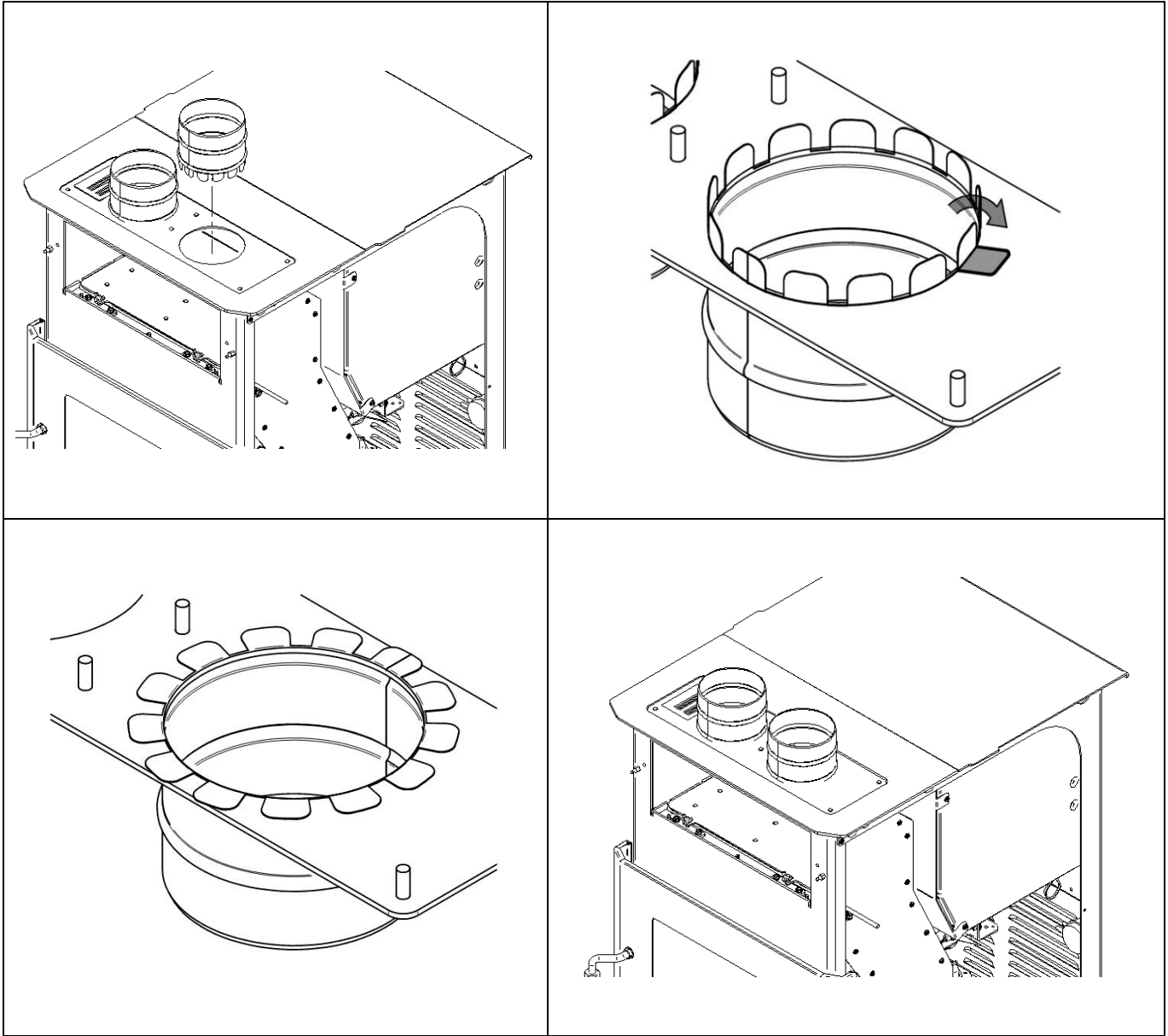
3. Install the hot air duct support (**B**) on the top with the nuts (**D**) and washers (**E**).



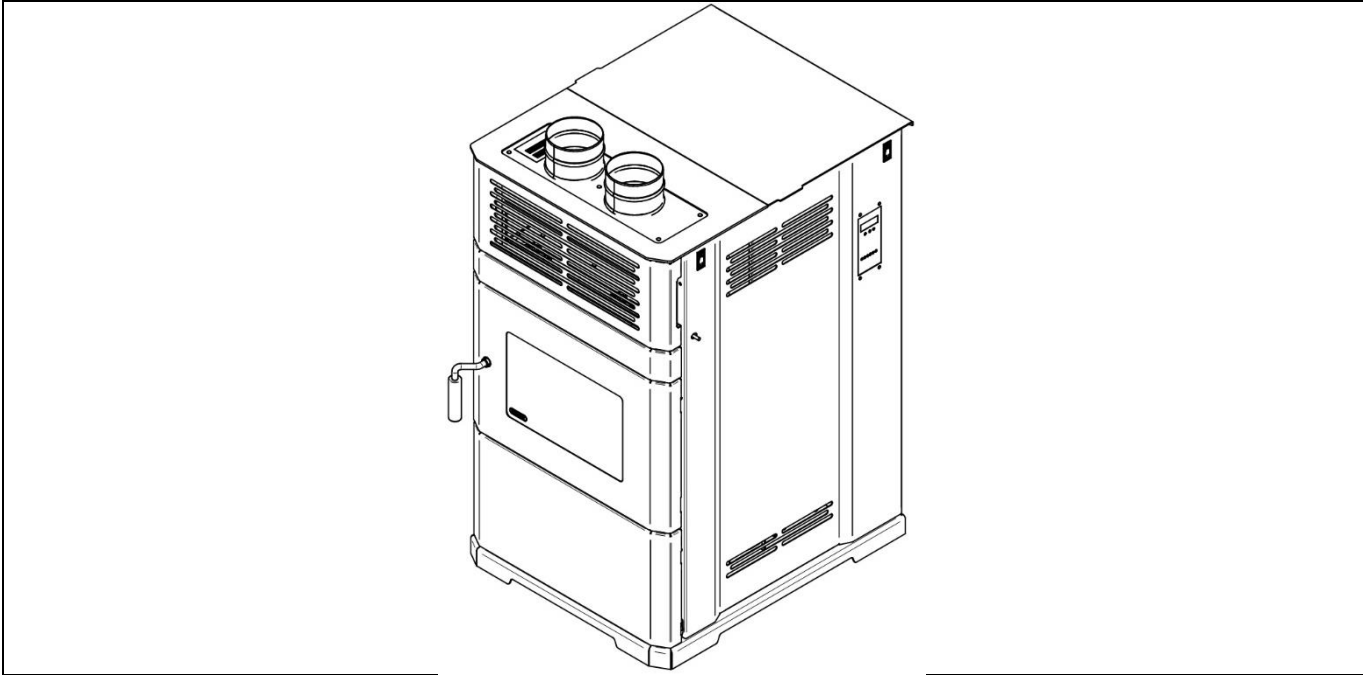
4. Insert the air outlet plate (C) into the front decorative grille and secure it with 4 screws (F). For units with serial numbers 100 to 124, refer to appendix A.



5. Install the two 5 in adapters (A) onto the hot air duct support plate. Insert the adapter and fold the tabs outward to secure it.



6. Reinstall the front decorative grille as well as the decorative panels.

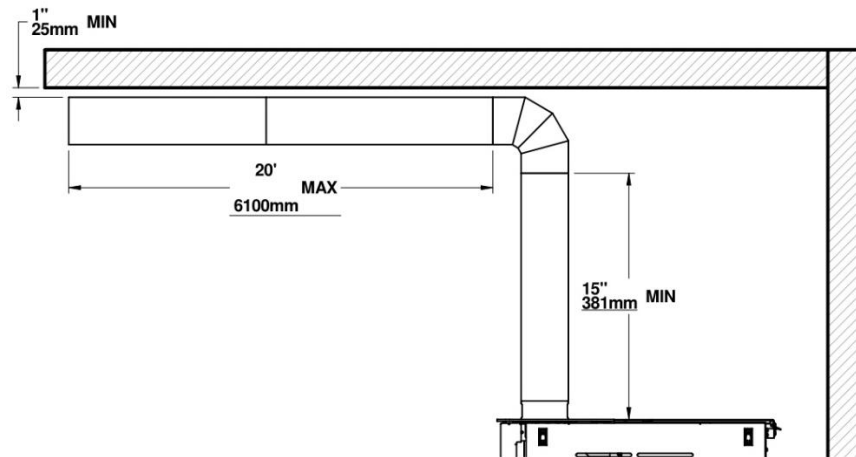




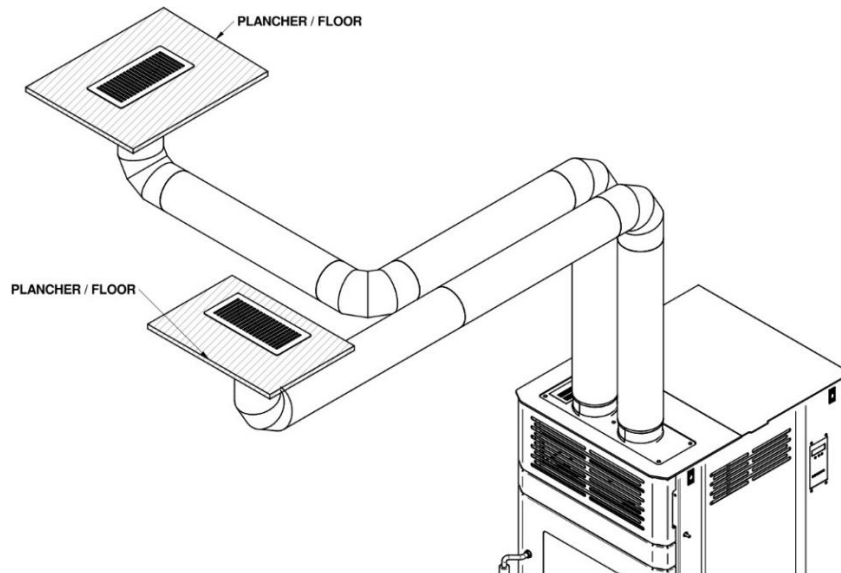
## 6. Installation of the hot air duct system

### IMPORTANT :

- The ductwork minimum clearance to combustibles is **1 in.** It is required over the entire length of the installation.
- The vertical starting duct must have a minimum length of **15 in.** from the top of the appliance.
- To achieve optimal efficiency, a maximum total length of **20 feet** is recommended per duct.
- There are three possible products for the duct: semi-rigid, rigid galvanized or flexible insulated duct. In all cases the product used must withstand a minimum temperature of **325°F.**



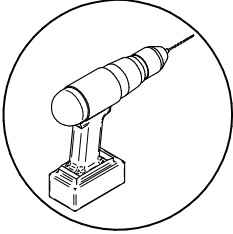
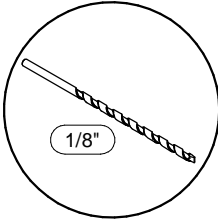
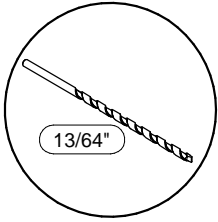
## 7. Installation example



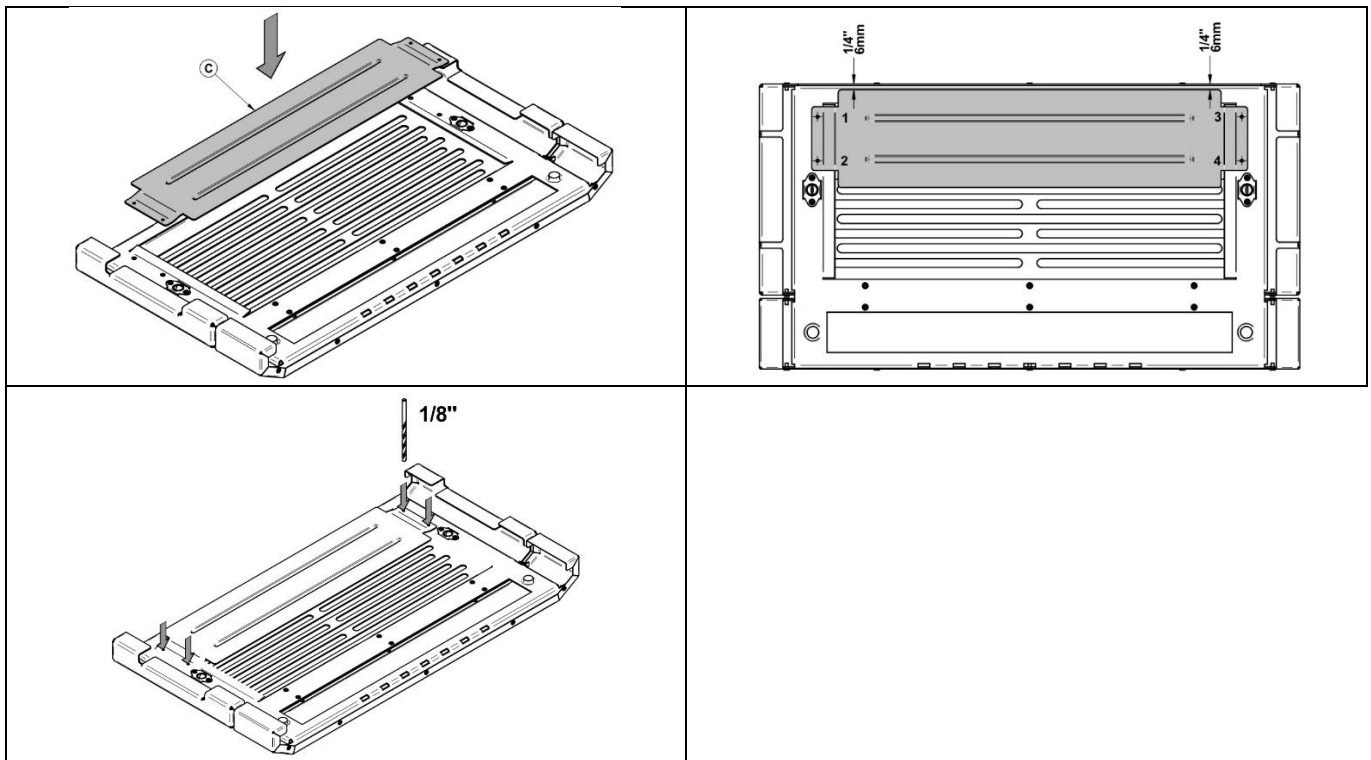
## APPENDIX A: Unit with serial number 100 to 124

**CAUTION: DRILLING THE DECORATIVE GRILLE FOR INSTALLATION OF THE ASSEMBLY WILL NOT AFFECT THE SAFETY, PERFORMANCE OR WARRANTY OF THE PRODUCT.**

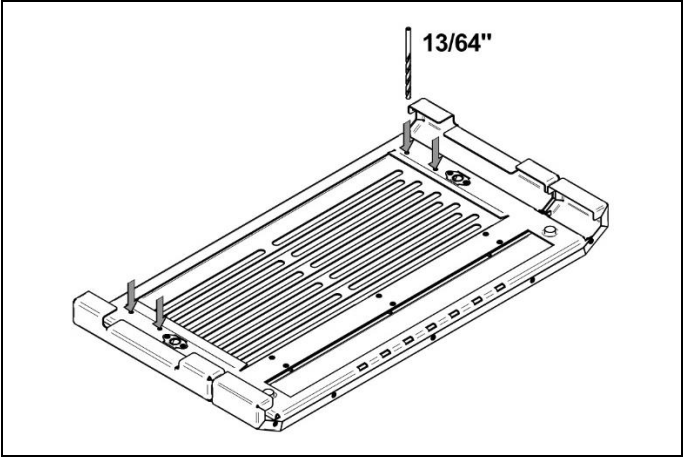
To install of the air outlet plate (C) on the front decorative grille, an additional step is necessary. Here are the tools required:

		
Drill	Drill bit 1/8"	Drill bit 13/64"

Place the air outlet plate (C) on the grille and align it with the top of it (1/4"). Hold the plate firmly in place (use a clamp if necessary) and drill four 1/8" holes in the grille using the holes in the air outlet plate as a drilling guide.



Remove the air outlet plate (C) and enlarge the previous holes in the grille with a 13/64" drill bit.



To complete the installation of the air outlet plate (C), return to step 4 in section 5 of the instructions.

This document is available for free download on the manufacturer's website. It is a copyrighted document. Resale is strictly prohibited. The manufacturer may update this document from time to time and cannot be responsible for problems, injuries, or damages arising out of the use of information contained in any document obtained from unauthorized sources.



Stove Builder International inc.  
250, De Copenhague Street  
Saint-Augustin-de-Desmaures  
Québec, Canada  
G3A 2H3  
1-877-356-6663  
[www.sbi-international.com](http://www.sbi-international.com)