

## Wood Stoves Technical Performance

Model	Heating Capacity	EPA Tested Output BTU/H	Emissions G/H	Cubic Ft. Firebox Volume	Firewood Length		Ash Pan	Blower	Flue Size	Minimum Fireplace Dimension W H D	Overall EPA Efficiency Up To:	Approved For		Approx. Stove Weight
					(Placement)*							Pre-Fab	Mobile Home	
					Front To Back	Side To Side								
<b>Non-Catalytic</b>														
18	800 up to 1200	22,400	3.1	1.3	12"	16"	No	Yes	6"	25¼x17¼x11	63%	Yes	Yes	326
21	800 up to 1800	41,200	4.4	1.6	11"	18"	No	Optional	6"	23¼x21x15	76.89%	Yes	Yes	342
21 Elite	800 up to 1800	41,200	4.4	1.6	11"	18"	No	Yes	6"	N/A	76.89%	No	Yes	368
24 Coal	800 up to 2500	N/A	Exempt	2.5	N/A	N/A	Yes	Optional	6"	N/A	63%	No	No	417
74	1500 up to 2600	40,900	3.6	2.6	16"	22"	No	Optional	6"	27¼x22x15	78%	Yes	Yes	460
81	1600 up to 2700	45,400	4.3	2.4	20"	18"	Yes	Yes	6"	29x23¼x14	78%	Yes	Yes	460
85	1600 up to 2700	45,000	4.3	2.4	18"	17"	Yes	Yes	6"	27¼x23¼x14	78%	Yes	Yes	460
94NC	1800 up to 3200	42,100	4.3	4.4	22"	23"	Yes	Yes	8"	31¼x23¼x15½	75%	No	No	600
261	800 up to 1800	32,200	2.92	2.5	21"	17"	No	Optional	6"	N/A	78.9%	No	Yes	492
Little John	800 up to 1600	74,638	Exempt	2.8	22"	13"	No	Optional	6"	N/A	N/A	No	No	230
Combo Coal	800 up to 2500	50,000	Exempt	2.3	24"	13"	Yes	Optional	6"	N/A	63%	No	No	460
<b>Catalytic</b>														
20	1200 up to 1800	37,500	3.14	1.9	16"	15"	Yes	Yes	6"	26x22x16	72%	Yes	Yes	395
80	1500 up to 2600	40,500	2.6	2.6	17"	22"	Yes	Yes	8"	29x23¼x15½	72%	No	No	464
91	1800 up to 3200	51,200	1.2	4.4	22"	23"	Yes	Yes	8"	31¼x23¼x15½	86%	No	No	620

**\* For peak performance, New Buck Corporation recommends burning your wood in a Front to Back placement on all Buck Stove wood burning units.**

The heating capacity and BTU output of any Buck Stove will vary depending upon ceiling height, shape of dwelling, insulation factor, amount of glass, location of unit in dwelling, type and moisture content of wood being burned, and whether the model has a blower. Stone fireplaces, large flues, double flues & fireplaces with existing ash dump may require optional direct connect kits. See dealer for details. All Buck Wood Stoves, fireplace inserts and freestanding stoves are tested and listed to UL Standards by ITC (Warnock Hersey/Intertek).

Fireplace Insert Information					Freestanding** Clearance to Combustibles††			Close Clearance*** to Combustibles††		
Clearances		Trim Kit Size			Corner	Rear	Side	Corner	Rear	Side
Model	Mantle	Sidewall	Top	Side						
<b>Non-Catalytic</b>										
18	21"	10"	12"	6"	9"	14"	10"	9"	14"	10"
21	18"	18"	9"	9"	13"	13"	25"	7"	7"	19"
74	24"	16"	9"	9"	8"	8"	25"	4"	4"	23"
81	21"	12"	9"	9"	16"	23"	23"	12"	16"	12"
85	21"	12"	9"	9"	16"	23"	23"	12"	16"	12"
94NC	24"	12"	9"	9"	23"	23"	22"	N/A	N/A	N/A
261	14½"	N/A	N/A	N/A	12"	8"	13"	7"	4"	14"
<b>Coal</b>										
24 Coal	N/A	N/A	N/A	N/A	33"	33"	30"	30"	13"	30"
Combo Coal	N/A	N/A	N/A	N/A	N/A	30"	19"	N/A	22"	15"
<b>Catalytic</b>										
20	12"	152"	9"	9"	18"	22"	20"	6"	12"	12"
80	24"	12"	9"	9"	20"	26"	25"	N/A	N/A	N/A
91	30"	20"	9"	9"	16"	23"	24"	12"	14"	14"

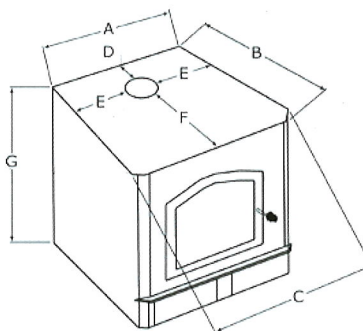
### Dimensions For Zero Clearance Systems

Model	Framing			Overall Dimensions Front		Clearances	
	Width	Height	Depth †	Width	Height	Mantle (Above Unit)	Sidewall (Door to Wall)
74ZC	37½"	34¾"	24¼"	37"	34"	30½"	26"
20ZC	37 15/16"	34¾"	25"	38¾"	35"	12"	16"
80ZC	47½"	41½"	29"	53"	43¼"	14"	23½"

### Stove Dimensions

Model	A	B	C	D	E	F	G
18	17"	21¾"	30 1/16"	1"	7¼"	14¾"	17¾"
♣ 21	22"	18 1/8"	23 3/16"	2 1/2"	7 1/16"	9 3/4"	20 1/4"
♣ 74	26 3/8"	22 3/8"	27 3/8"	2 1/2"	10"	13 3/8"	21 1/2"
81	25 5/8"	25 3/4"	30 1/4"	3"	10 1/2"	16 3/4"	23 7/16"
85	25 1/8"	25 3/4"	28 1/16"	3"	9 9/16"	16 3/8"	23 7/16"
94NC	25 5/8"	28 7/8"	34 1/4"	2 3/4"	10"	18 1/16"	23 3/16"
261	24 1/2"	33"	23 1/2"	3 3/16"	8 3/4"	17 1/16"	33"
24 Coal	25"	21"	25"	3 1/2"	94"	11 1/16"	24 1/16"
C. Coal	35 5/8"	21 1/2"	35 5/8"	N/A	N/A	N/A	35
20	25 1/4"	23 1/16"	27 7/8"	3 3/4"	9 3/4"	12 1/2"	21 13/16"
80	26 3/4"	22 7/8"	29 1/2"	2 7/8"	9 1/2"	12"	23 3/4"
91	25 5/8"	28 7/8"	34 1/4"	2 3/4"	10"	18 1/16"	23 3/16"

♣ Models 21 and 74 standard with a 1 1/2" deep rear shield. This shield is NOT included in the measurement of the stove depth (B).



\*\*\* The clearances listed above may be reduced. Check owner's manual for details or follow NFPA-211 code if available.

\*\*\* Models 18, 21 and 74 were tested with close clearance shields and double wall pipe. Model 24 is tested with rear and side close clearance shields (comes standard with unit) and single wall pipe.

Models 20, 80 and 91 tested with only double wall pipe.

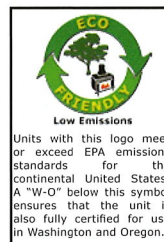
Model 94NC only tested without close clearance shields and with single wall pipe.

Model 81 tested with close clearance shields and single wall pipe.

† Depth from finished wall.

†† Clearances listed are for vertical installations only.

♣ These units are Exempt from emissions under Method 28 of the U.S. EPA Emissions Certification



**New Buck Corporation**  
 P.O. Box 69 | Spruce Pine, NC 28777  
 Phone: (828) 765-6144  
 Fax: (828) 765-0462  
 Email: info@buckstovecorp.com  
 Website: www.buckstove.com