

Wood Stoves Technical Performance

Model	Heating Capacity	Emissions G/H	Firebox Volume	Firewood Length		Ash Pan	Blower	Flue Size	Minimum Fireplace Dimensions: W H D	Approved For		Aprox. Stove Weight
				(Placement)*						Prefab	Mobile Home	
				Front to Back	Front to Side							

Non-Catalytic

21NC	800-1,800	1.7	1.6	11"	18"	No	Yes	6"	23¼"x21"x15"	Yes	Yes	317
74	1,500-2,600	1.8	2.15	16"	22"	No	Yes	6"	27¼"x22"x15"	Yes	Yes	447
81	1,600-2,700	1.1	2.48	20"	18"	Yes	Yes	6"	29"x23¾"x14"	Yes	Yes	460

Catalytic

91	1,800-3,200	1.9	4.4	22"	23"	Yes	Yes	8"	31¾"x23½"x15½"	No	No	626
----	-------------	-----	-----	-----	-----	-----	-----	----	----------------	----	----	-----

Zero Clearance

ZC74	1,500-2,600	1.8	2.15	16"	22"	No	Yes	6"	N/A	No	Yes	620
ZC21 NC	800-1,800	1.7	1.6	11"	18"	No	Yes	6"	N/A	No	Yes	508

*For peak performance, Buck Stove recommends burning your wood in a front to back placement on all Buck Stove wood burning units

*The heating capacity and BTU output of any Buck Stove will vary depending upon the following factors: ceiling height, shape of dwelling, insulation in dwelling, type and moisture content of wood being burned and whether the model has a blower. Stone fireplaces, large flues, double flues & fireplaces with existing ash dump may require optional direct connect kits. See dealer for details. All Buck Wood Stoves, fireplace inserts and freestanding stoves are tested and listed to UL Standards by PFS.

Model	Fireplace Insert Information				Freestanding** Clearance to Combustibles † †			Close Clearance** to Combustibles † †		
	Clearances		Trim Kit Size		Corner	Rear	Side	Corner	Rear	Side
	Mantle	Sidewall	Top	Side						

Non-Catalytic

21NC	18"	18"	9"	9"	13"	13"	25"	7"	7"	19"
74	24"	16"	9"	9"	8"	8"	25"	4"	4"	23"
81	21"	12"	9"	9"	16"	23"	23"	12"	16"	12"

Catalytic

91	30"	20"	9"	9"	16"	23"	24"	N/A	N/A	N/A
Model 24	N/A	N/A	N/A	N/A	33"	33"	30"	N/A	N/A	N/A
Combo Coal	N/A	N/A	N/A	N/A	N/A	30"	19"	6"	N/A	No

Dimensions For Zero Clearance Systems

Model	Framing			Overall Dimensions Front		Clearances	
	Width	Height	Depth	Width	Height	Mantle (above unit)	Sidewall (door to wall)
ZC21NC	37½"	34¼"	24¾"	37"	34"	30½"	26"
ZC74	37½"	34¾"	24¾"	37"	34"	30½"	26"

*The clearances listed above may be reduced. Check owner's manual for details or follow NFPA-211 code if available.

*Models 21 & 74 were tested with close clearance shields & double wall pipe

Model 91 is tested with only double wall pipe.

Model 81 tested with close clearance shields & single wall pipe.

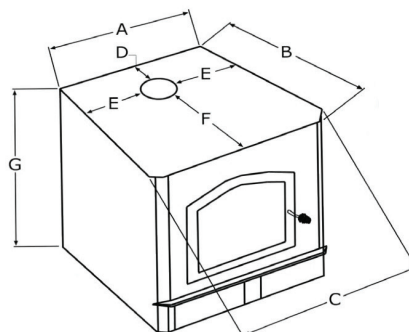
† Depth from finished wall.

† † Clearances listed are for vertical installations only.

† † † These units are Exempt from emissions under Method 28

Stove Dimensions

Model	A	B	C	D	E	F	G
21NC	22"	18⅞"	23⅞"	2½"	7⅜" □	9¾"	20¼"
74	26⅞"	22⅞"	27 □ □	2½"	10"	13⅞"	21½"
81	25 □ □	25¼"	30¼"	3"	10½"	16¾"	23 □ □
91	25"	28 □ □	34¼"	2¾"	10"	18⅜" □	23⅜" □



New Buck Corporation
200 Ethan Allen Rd
Spruce Pine, N.C. 2877
828-765-6144

Model 21 and 74 come standard with a 1½" deep rear shield.
This shield is **NOT** included in the measurement of the stove depth (B).