


Drolet Eco-55 Pellet Stove

“How To” Guide

<h1>HOW TO</h1>	Document #		Model name		
	HT00139E		ECO-55 / ECO-55ST		
Access the fuses	Model number		Serial number		Date
	DP00070-DP00071		100	to	...

WARNING



HOT SURFACE. ALLOW TO COOL BEFORE SERVICING.

DANGER

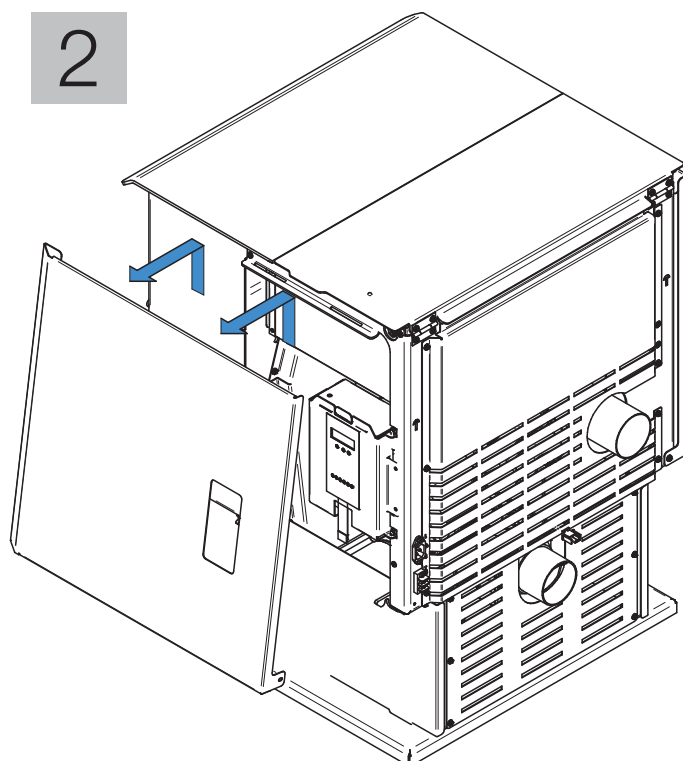
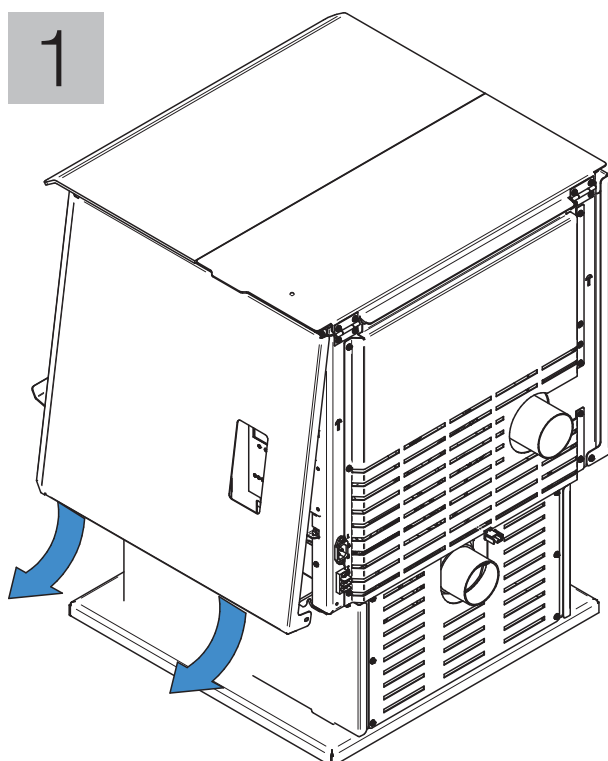


DISCONNECT ALL SOURCE OF POWER BEFORE SERVICING THE STOVE.

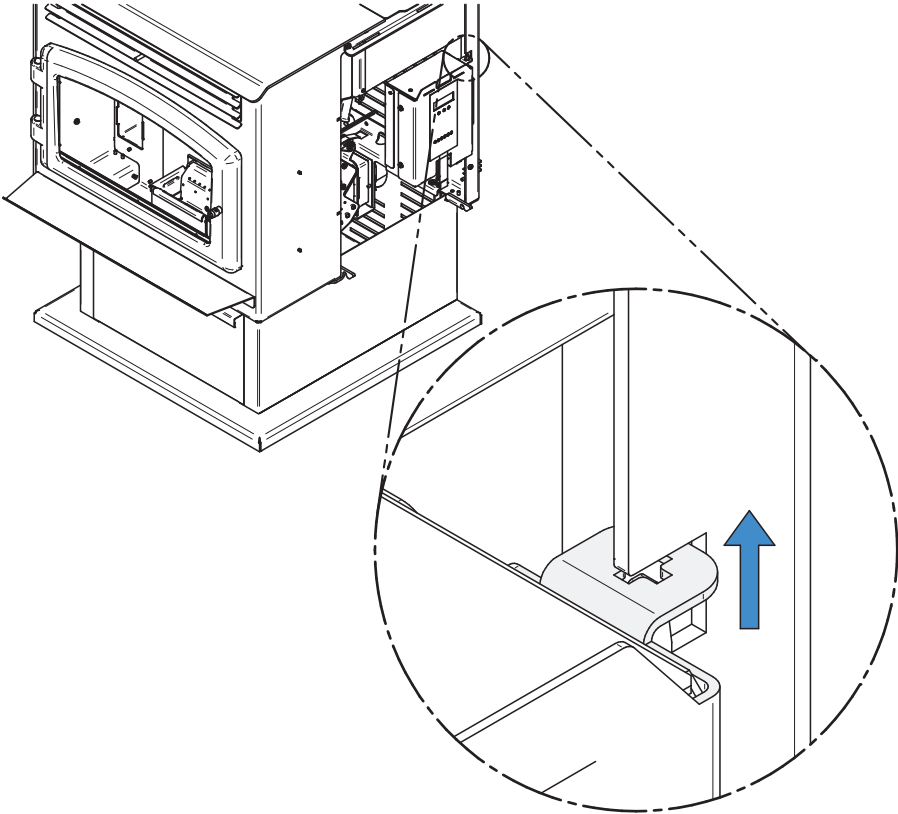
NOTE

For part numbers, visit our website at www.drolet.ca/en/parts/

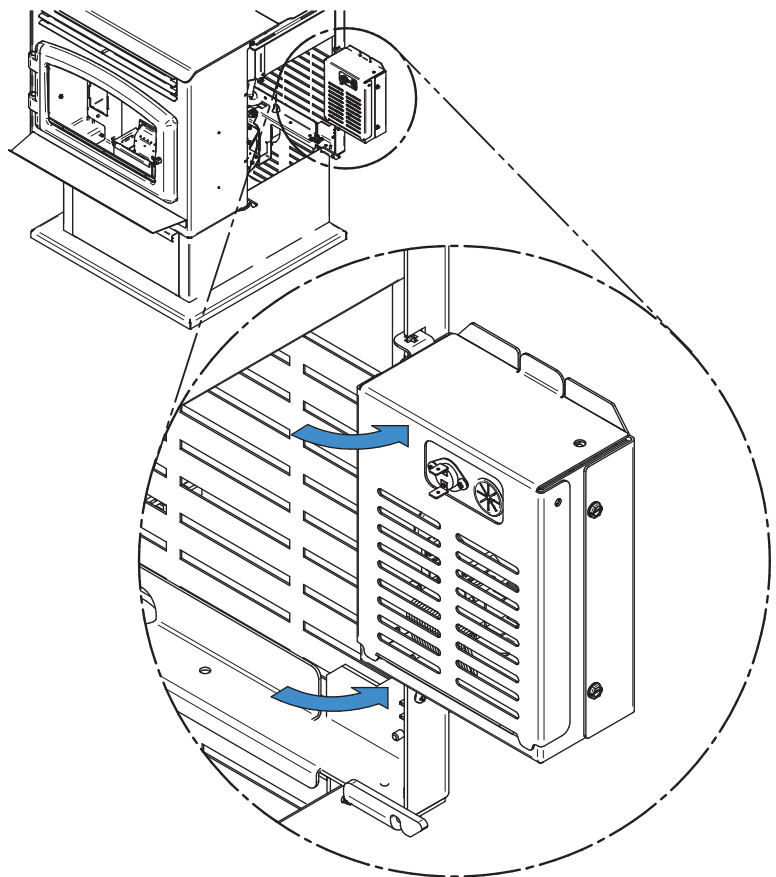
PROCEDURE :



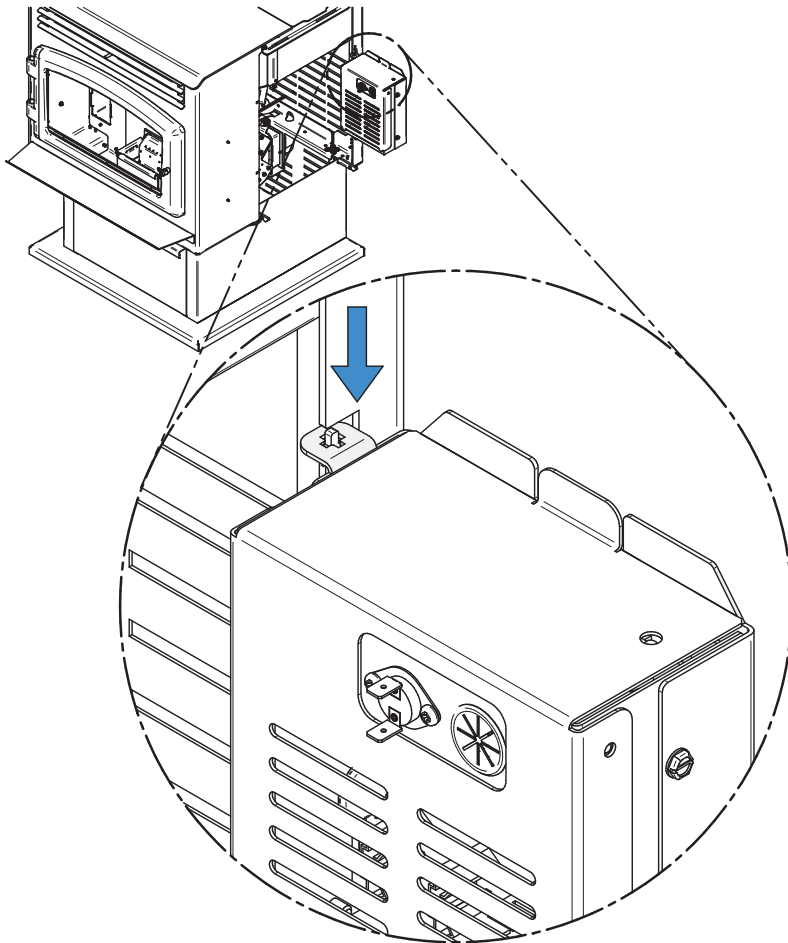
3



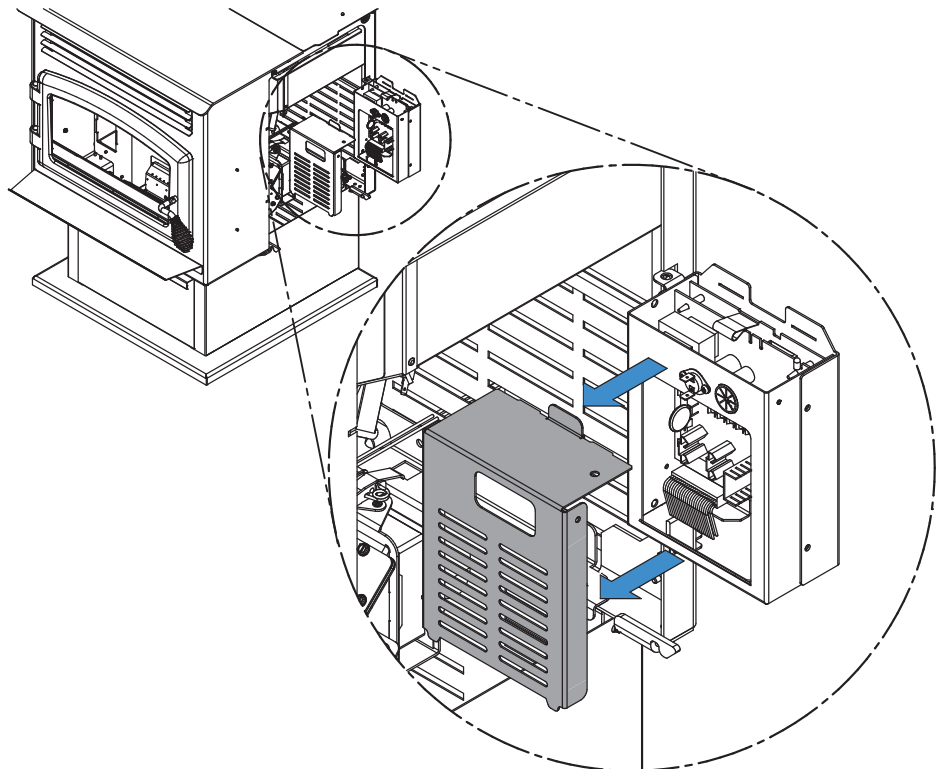
4

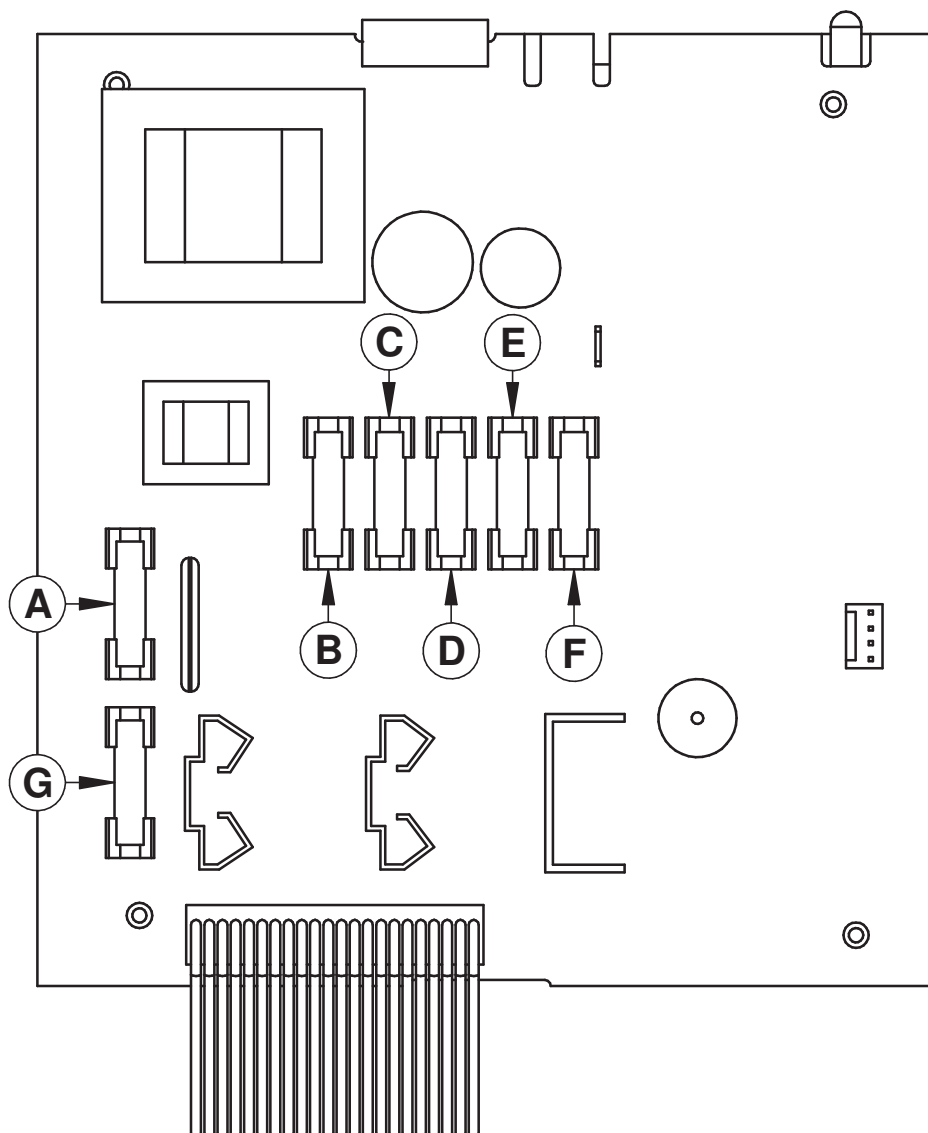


5



6






LETTER	FUSES FONCTIONS
A	Control circuit
B	Combustion blower
C	Convection blower
D	Exhaust blower
E	Auger
F	Igniter
G	Main fuse

This document is available for free download on the manufacturer's website. It is a copyrighted document. Re-sale is strictly prohibited. The manufacturer may update this document from time to time and cannot be responsible for problems, injuries, or damages arising out of the use of information contained in any document obtained from unauthorized sources.

Stove Builder International inc.
250, rue de Copenhague,
St-Augustin-de-Desmaures (Québec) Canada
G3A 2H3
Customer service : 418-908-8002
Email : tech@sbi-international.com
www.drolet.ca


<h1>HOW TO</h1>	Document #	Model name		
	HT00138E	ECO-55 / ECO-55ST		
Replace the auger motor	Model number	Serial number		Date
	DP00070 / DP00071	100	to	...
		...		31-05-2017

WARNING



HOT SURFACE. ALLOW TO COOL BEFORE SERVICING.

DANGER

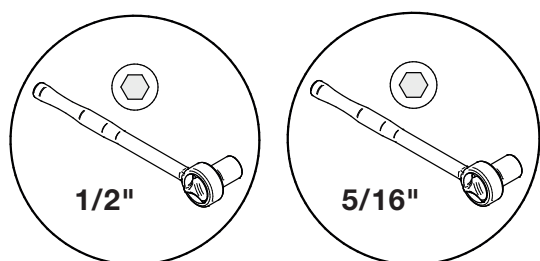


DISCONNECT ALL SOURCE OF POWER BEFORE SERVICING THE STOVE.

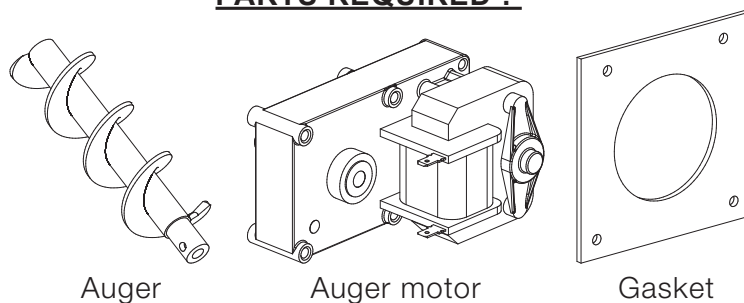
NOTE

For part numbers, visit our website at www.drolet.ca/en/parts/

TOOLS REQUIRED :



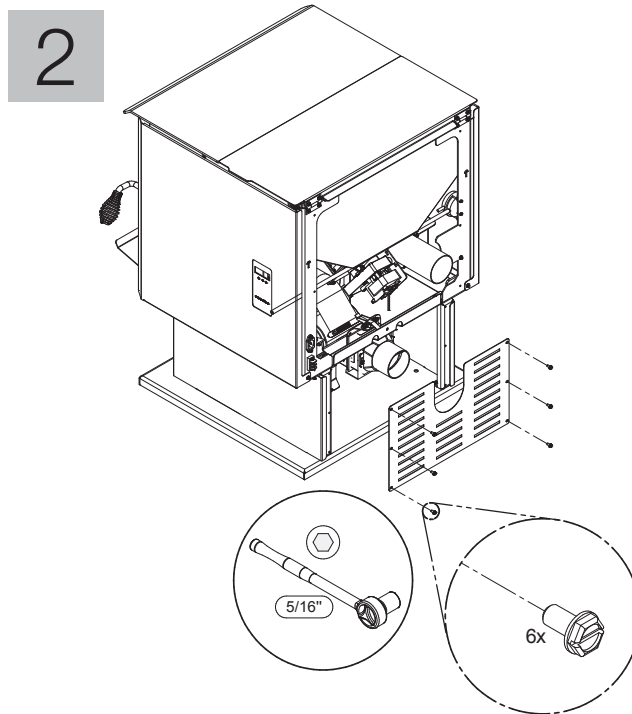
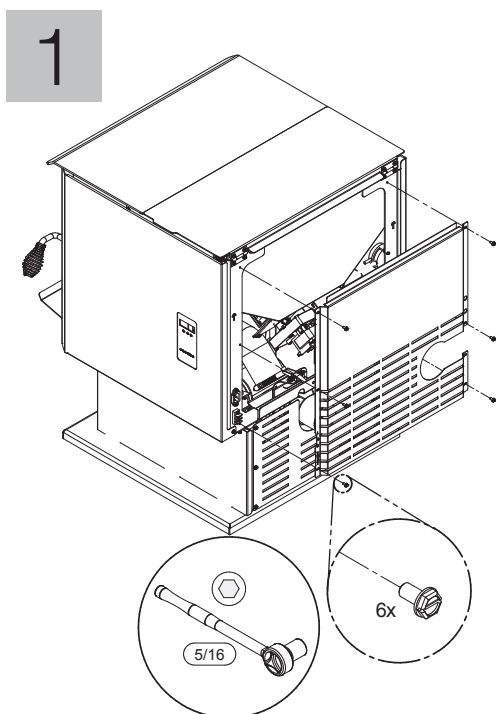
PARTS REQUIRED :



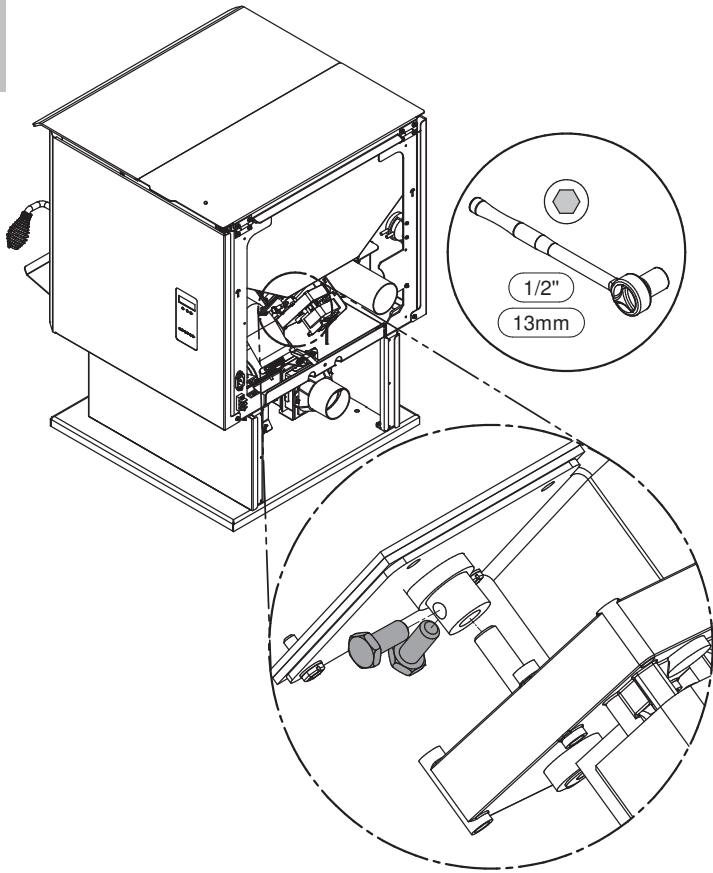
PROCEDURE :

To replace auger motor, only motor and gasket are required. Follow step 1 to 3

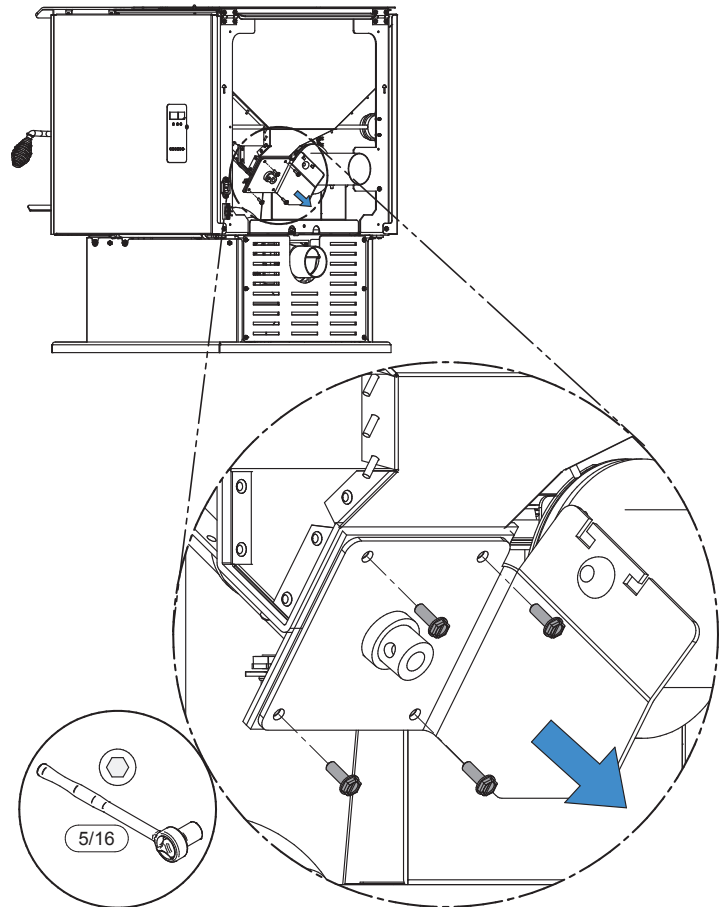
THE HOPPER SHOULD BE EMPTY BEFORE REPLACE THE AUGER MOTOR



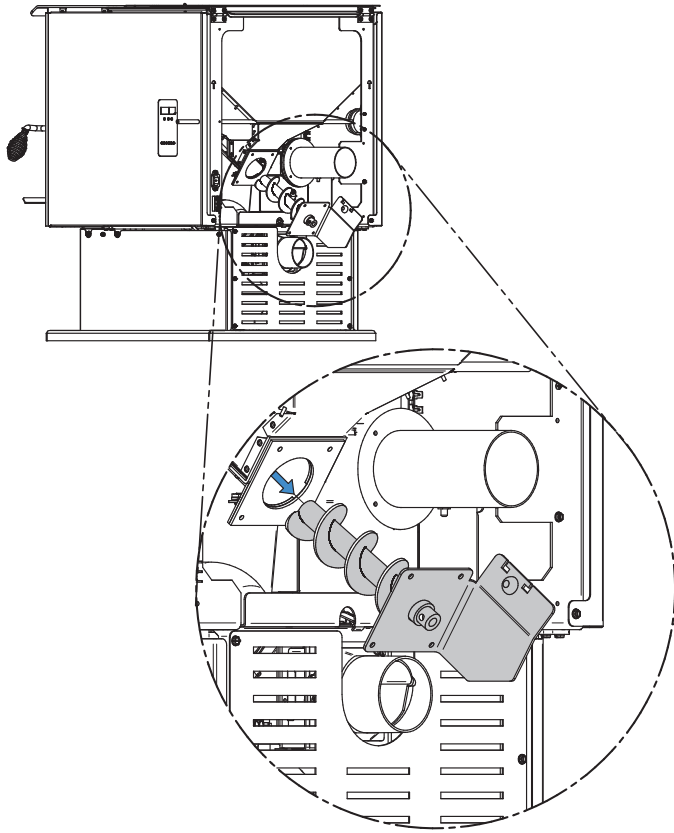
3



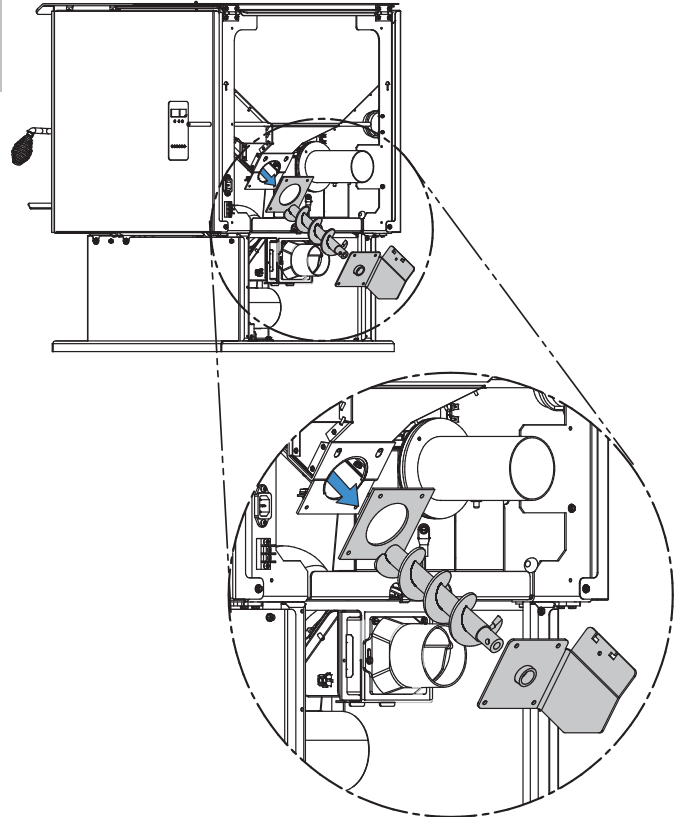
4



5



6



7


Follow previous steps in reverse order to reinstall.

This document is available for free download on the manufacturer's website. It is a copyrighted document. Re-sale is strictly prohibited. The manufacturer may update this document from time to time and cannot be responsible for problems, injuries, or damages arising out of the use of information contained in any document obtained from unauthorized sources.

Stove Builder International inc.
250, rue de Copenhague,
St-Augustin-de-Desmaures (Québec) Canada
G3A 2H3
Customer service : 418-908-8002
Email : tech@sbi-international.com
www.drolet.ca


<h1>HOW TO</h1>	Document #	Model name		
	HT00136E	ECO-55 / ECO-55ST		
Replace the combustion blower	Model number	Serial number		Date
	DP00070 / DP00071	100	to	...
		30-05-2017		

WARNING



HOT SURFACE. ALLOW TO COOL BEFORE SERVICING.

DANGER

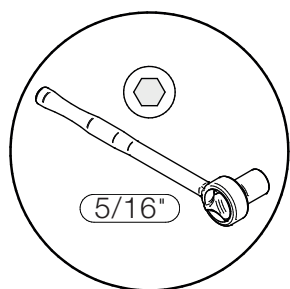


DISCONNECT ALL SOURCE OF POWER BEFORE SERVICING THE STOVE.

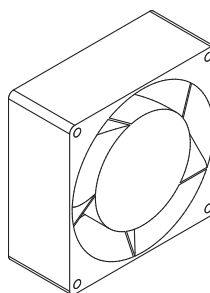
NOTE

For part numbers, visit our website at www.drolet.ca/en/parts/

TOOLS REQUIRED :

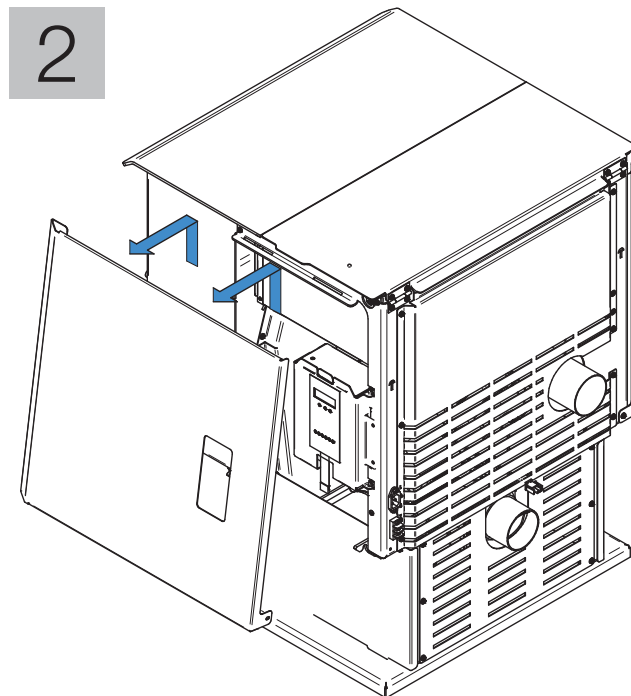
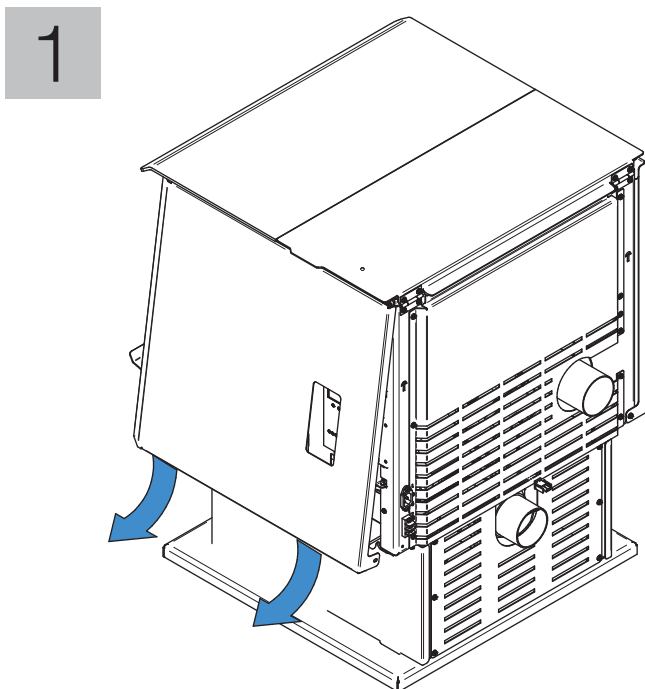


PARTS REQUIRED :

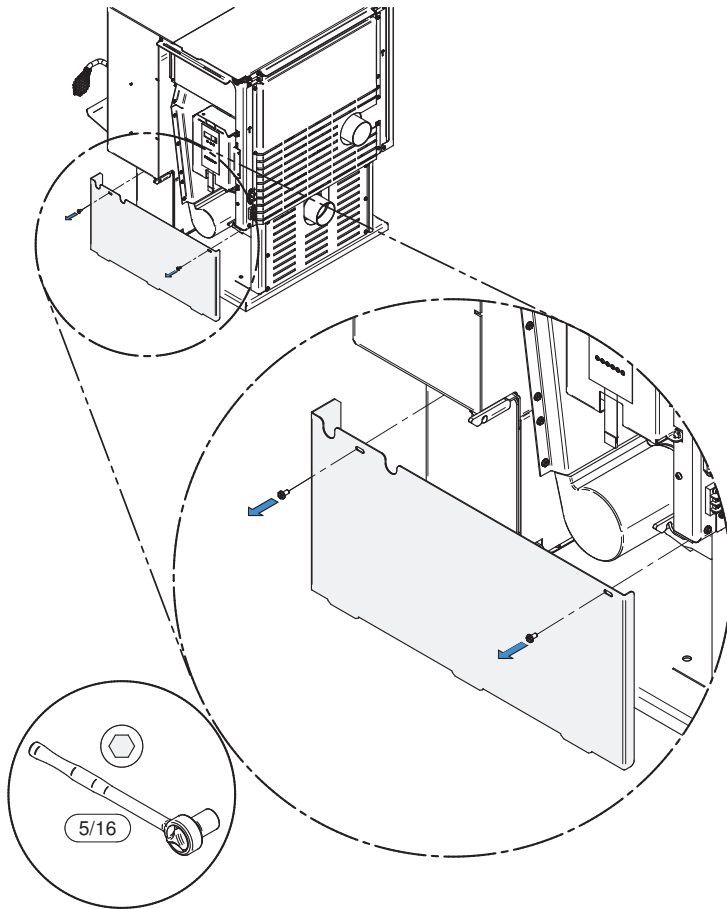


Blower

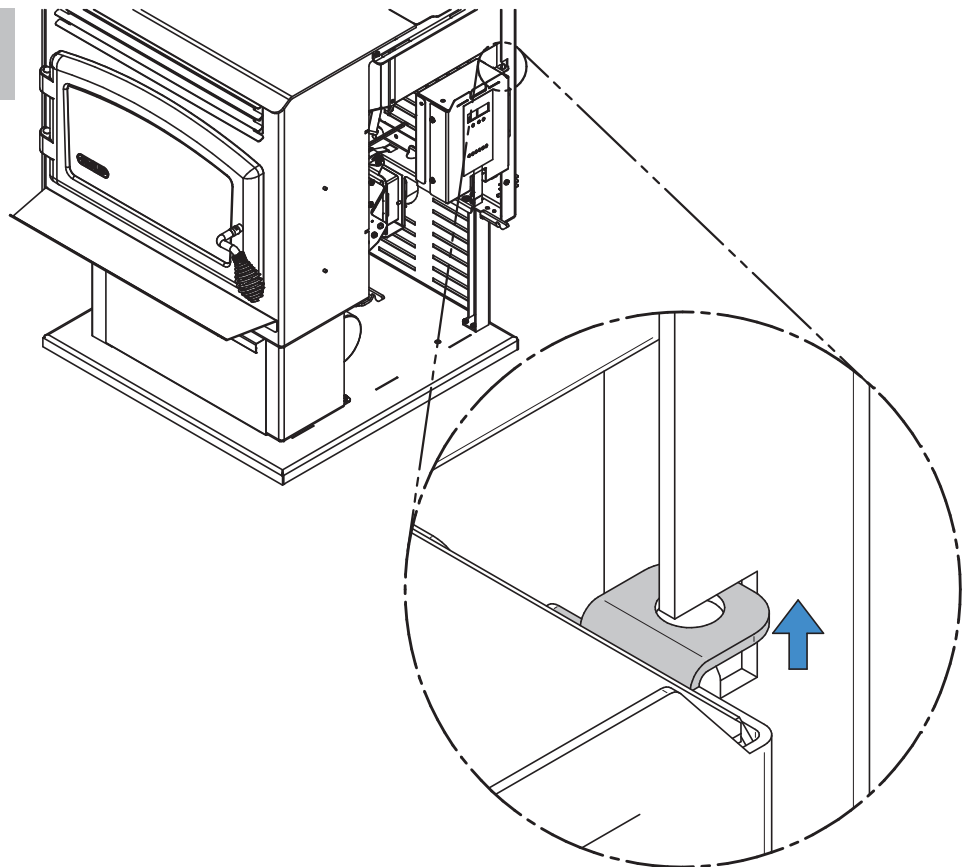
PROCEDURE :



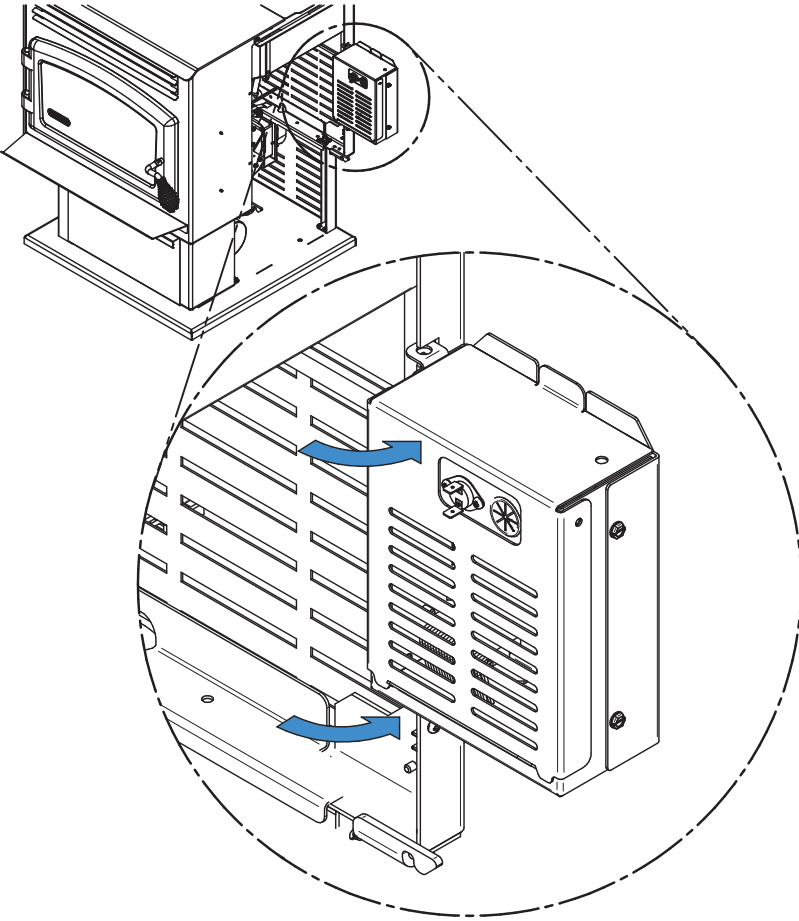
3



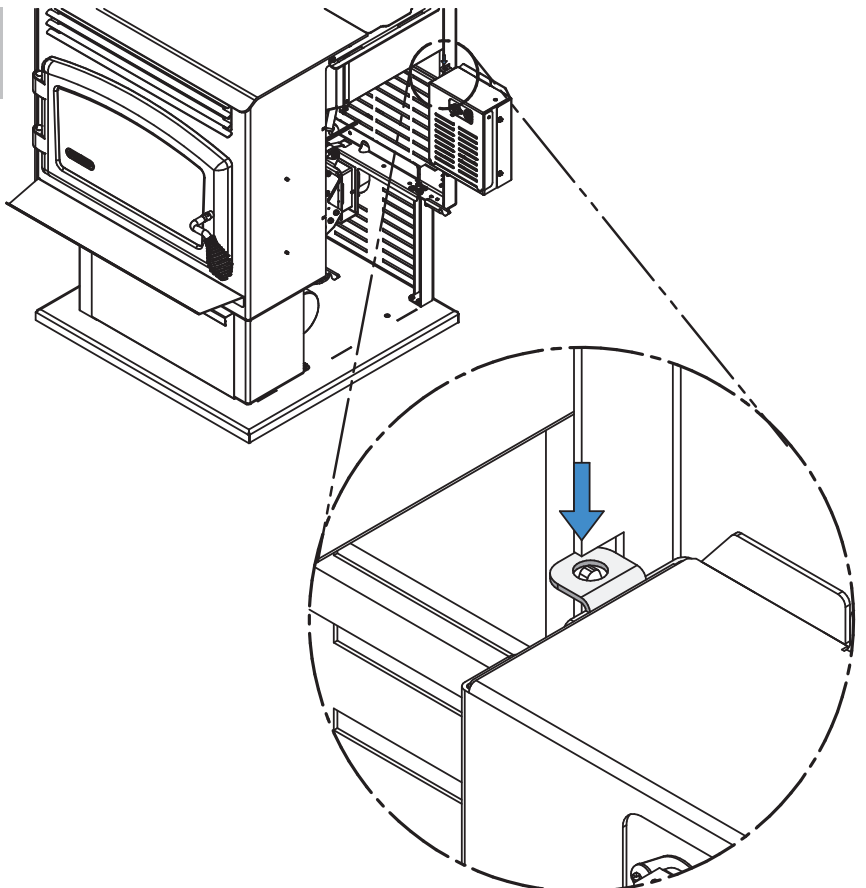
4



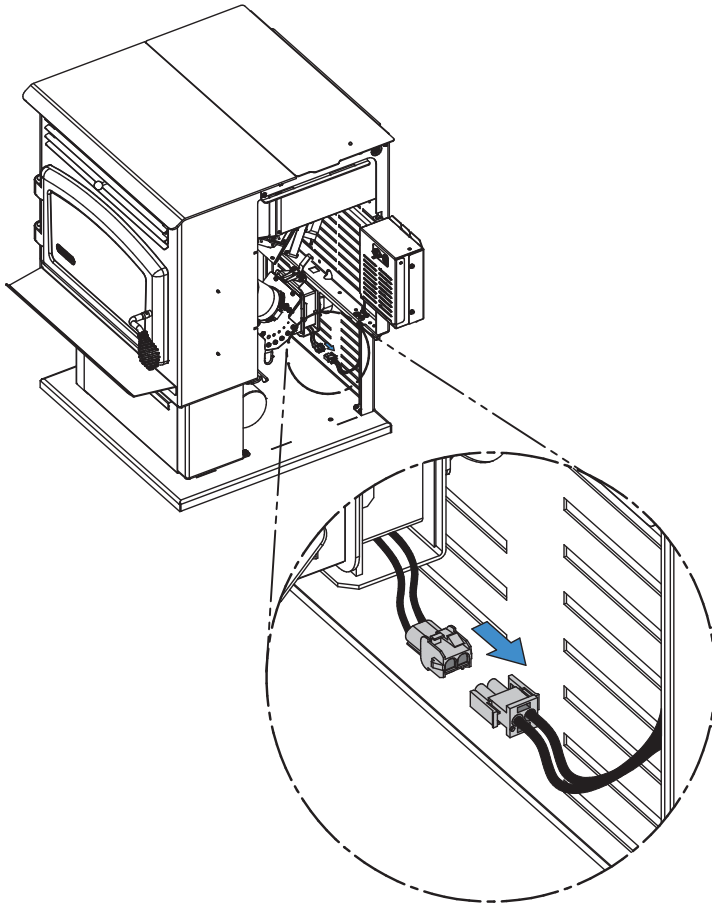
5



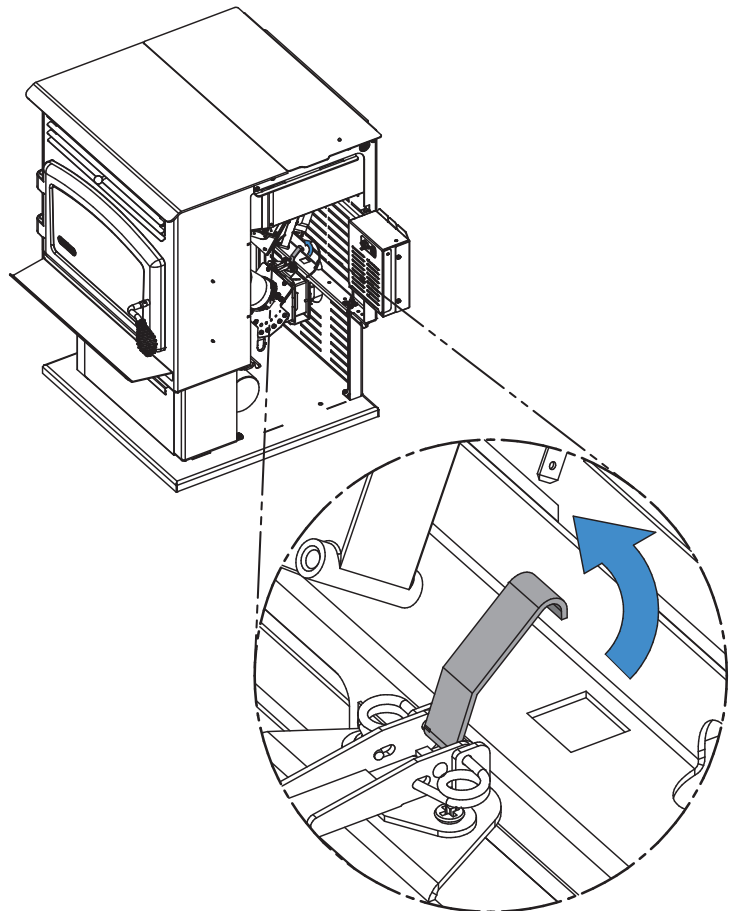
6



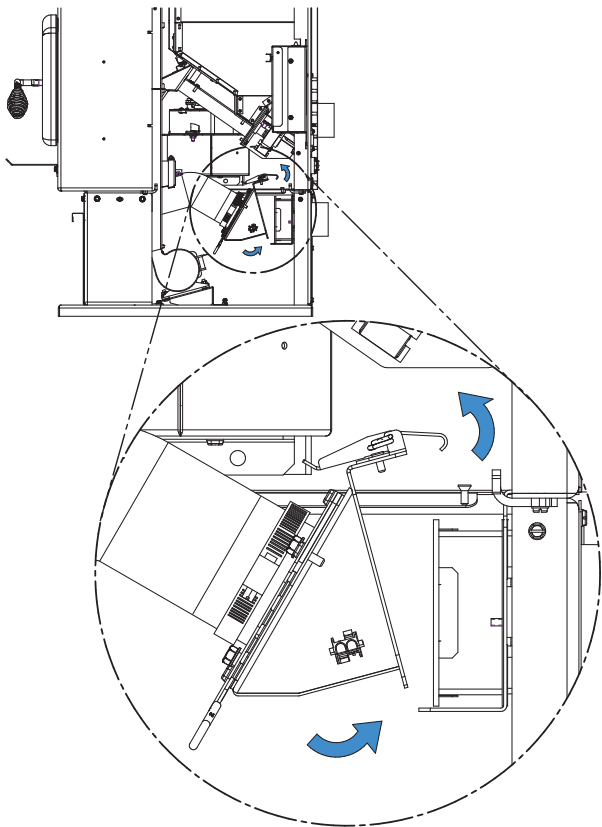
7



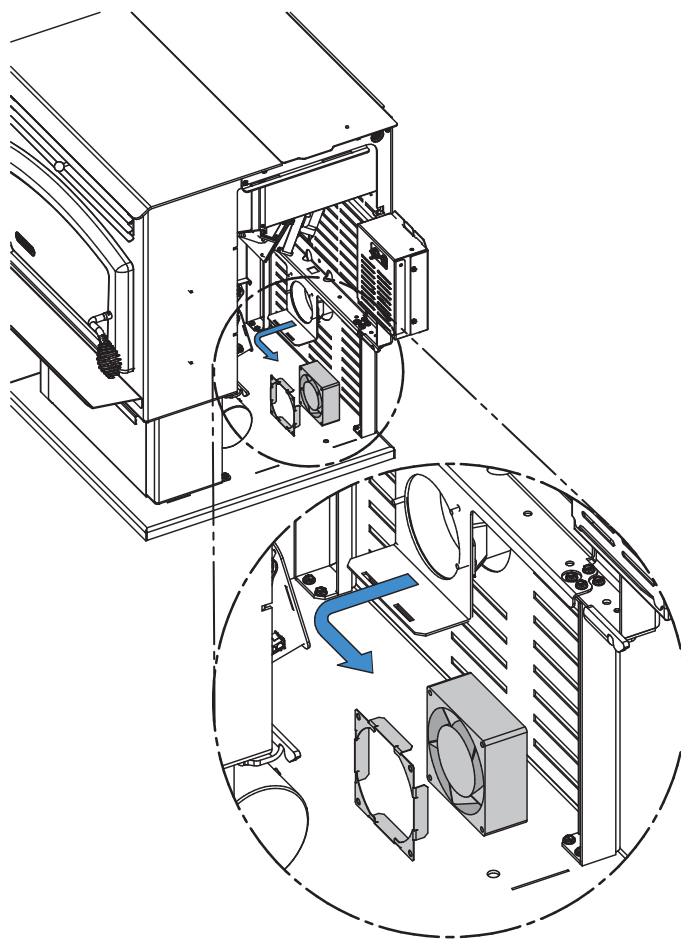
8



9



10



11


Follow previous steps in reverse order to reinstall.

This document is available for free download on the manufacturer's website. It is a copyrighted document. Re-sale is strictly prohibited. The manufacturer may update this document from time to time and cannot be responsible for problems, injuries, or damages arising out of the use of information contained in any document obtained from unauthorized sources.

Stove Builder International inc.
250, rue de Copenhague,
St-Augustin-de-Desmaures (Québec) Canada
G3A 2H3
Customer service : 418-908-8002
Email : tech@sbi-international.com
www.drolet.ca


<h1>HOW TO</h1>	Document #	Model name		
	HT00137E	ECO-55 / ECO-55ST		
Replace the convection blower	Model number	Serial number		Date
	DP00070 / DP00071	100	to	... 30-05-2017

WARNING



HOT SURFACE. ALLOW TO COOL BEFORE SERVICING.

DANGER

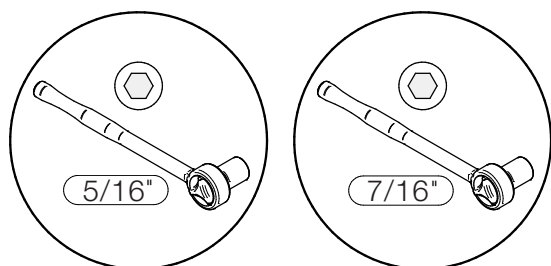


DISCONNECT ALL SOURCE OF POWER BEFORE SERVICING THE STOVE.

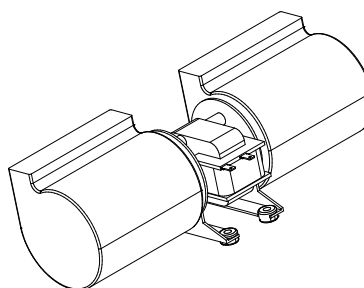
NOTE

For actual part numbers, visit our website at www.drolet.ca/en/parts/

TOOLS REQUIRED :

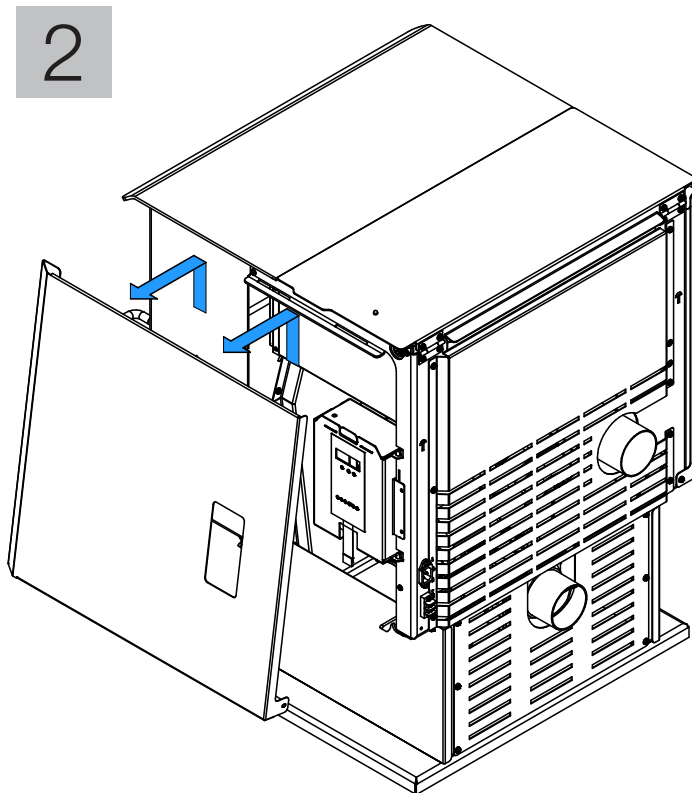
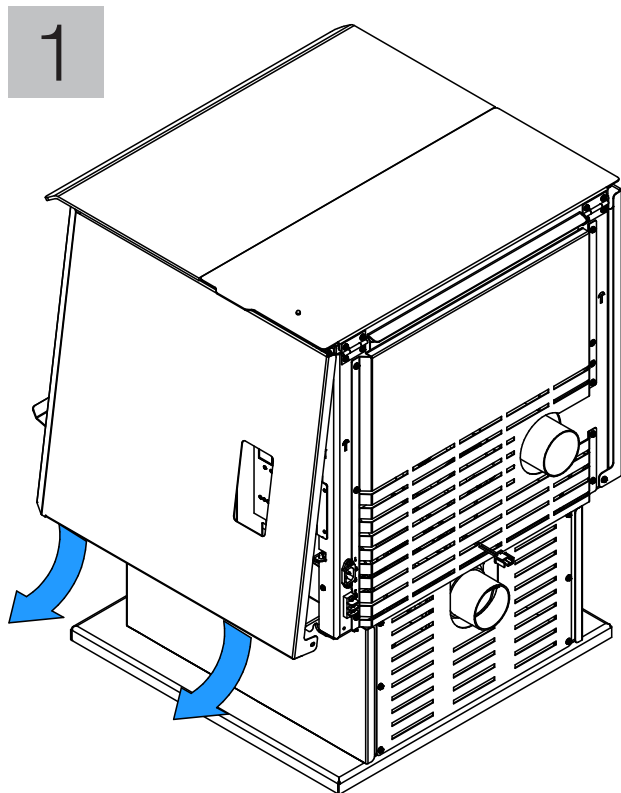


PARTS REQUIRED :

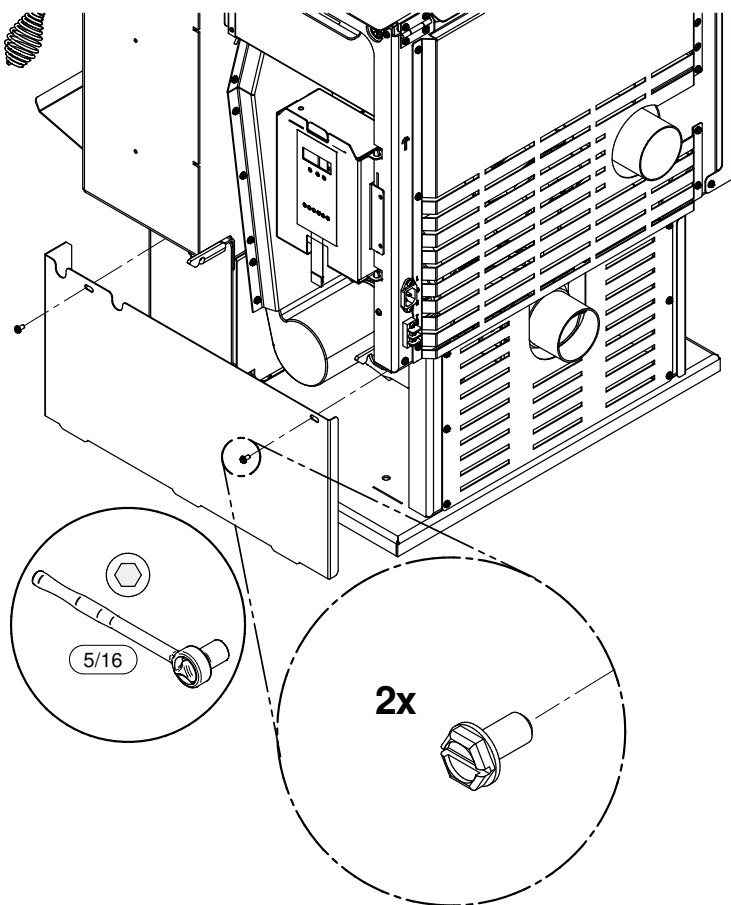


Blower

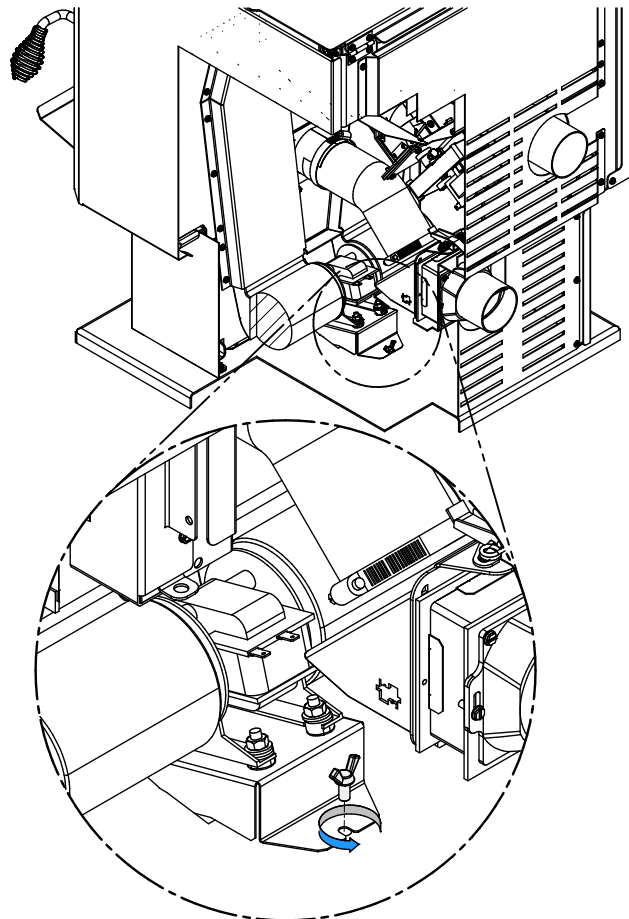
PROCEDURE :

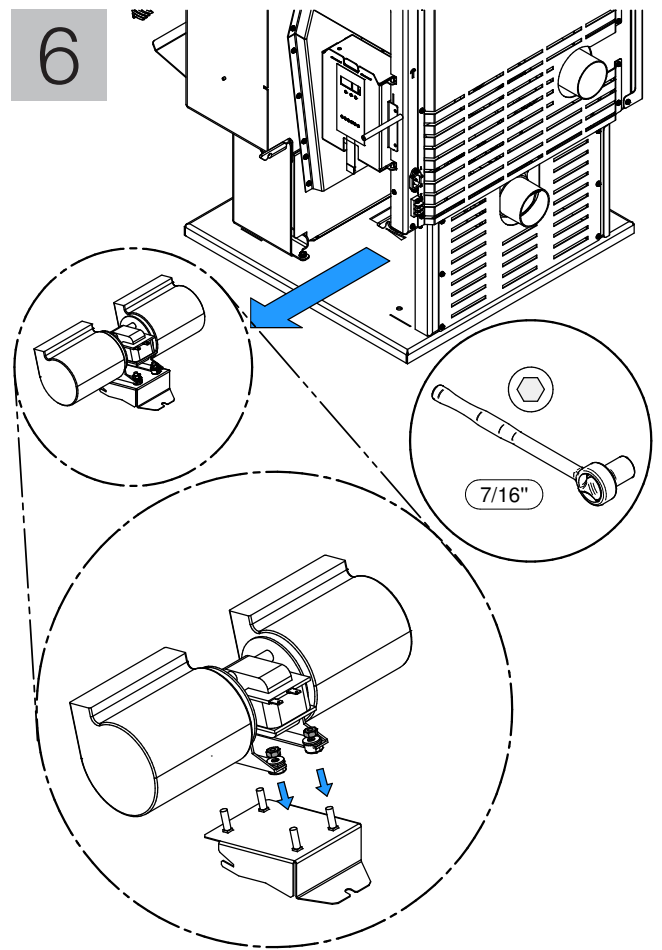
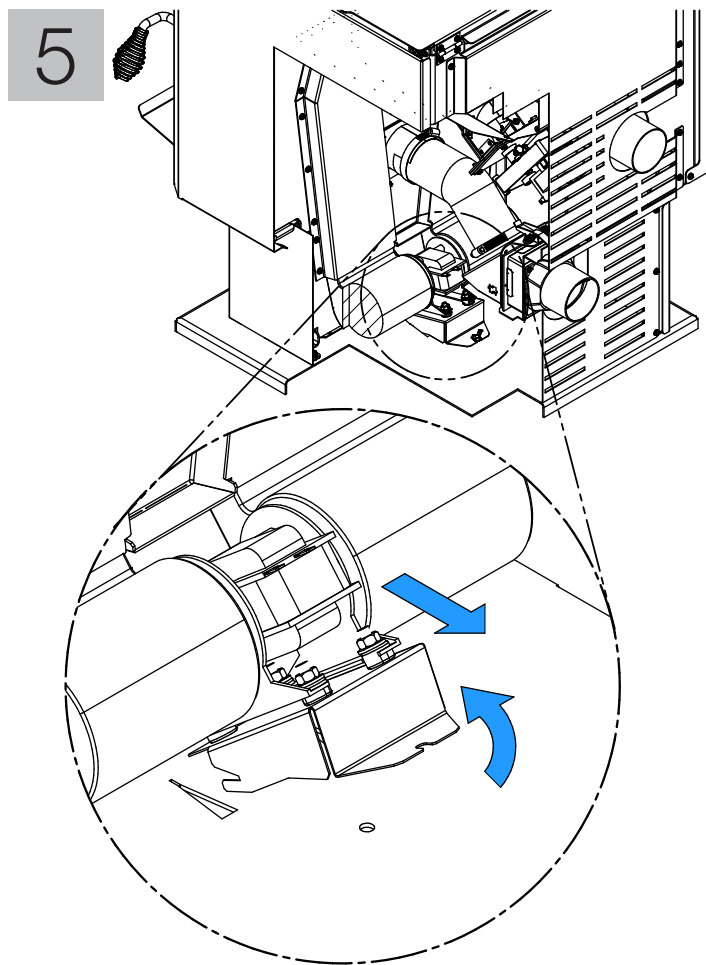


3



4





7 Follow previous steps in reverse order to reinstall.

This document is available for free download on the manufacturer's website. It is a copyrighted document. Re-sale is strictly prohibited. The manufacturer may update this document from time to time and cannot be responsible for problems, injuries, or damages arising out of the use of information contained in any document obtained from unauthorized sources.

Stove Builder International inc.
 250, rue de Copenhague,
 St-Augustin-de-Desmaures (Québec) Canada
 G3A 2H3
 Customer service : 418-908-8002
 Email : tech@sbi-international.com
 www.drolet.ca

HOW TO	Document #	Model name			
	HT00135E	ECO-55 / ECO-55ST			
REPLACE THE EXHAUST BLOWER	Model number	Serial number		Date	
	DP00070 / DP00071	100	to	...	2017-02-24

WARNING

HOT SURFACE. ALLOW TO COOL BEFORE SERVICING.

DANGER

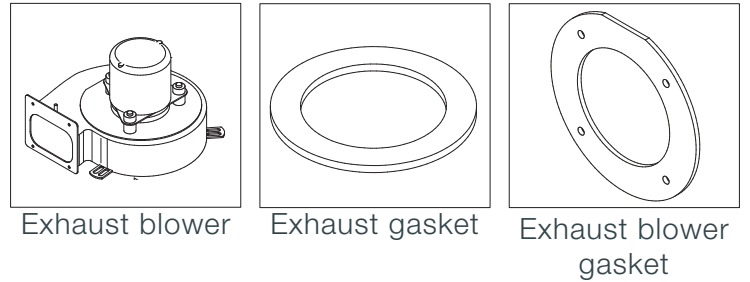
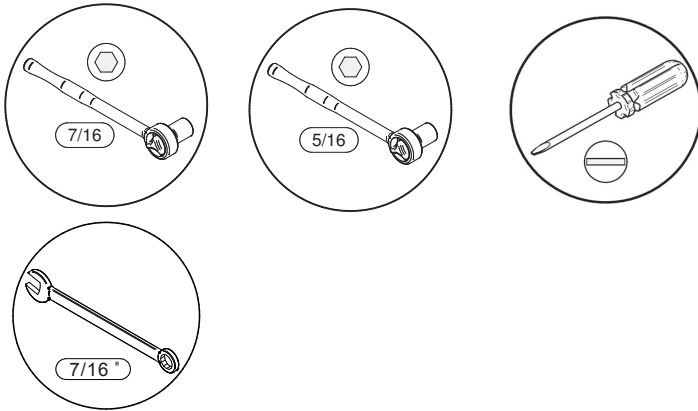
DISCONNECT ALL SOURCE OF POWER BEFORE SERVICING THE STOVE.

NOTE

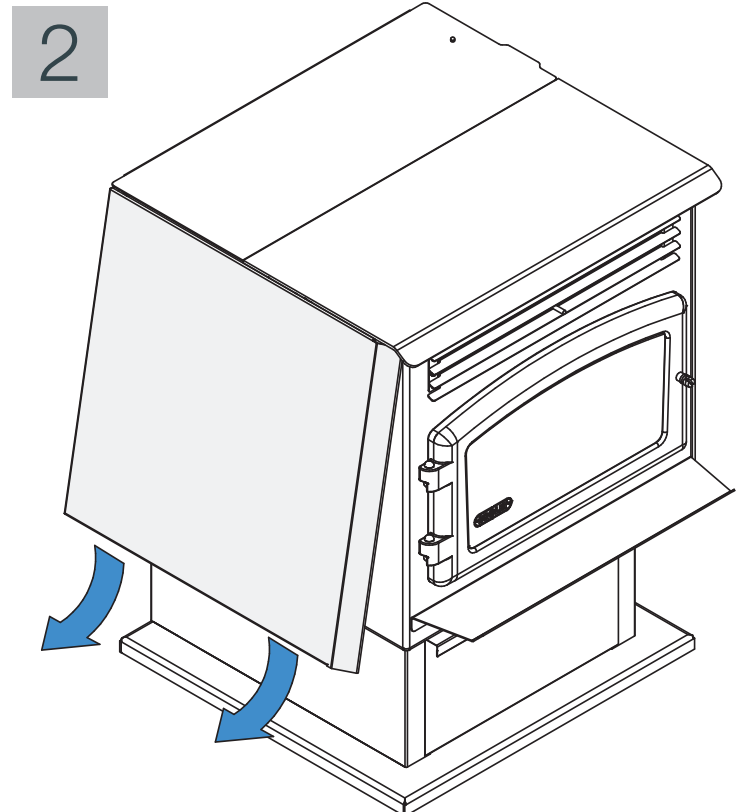
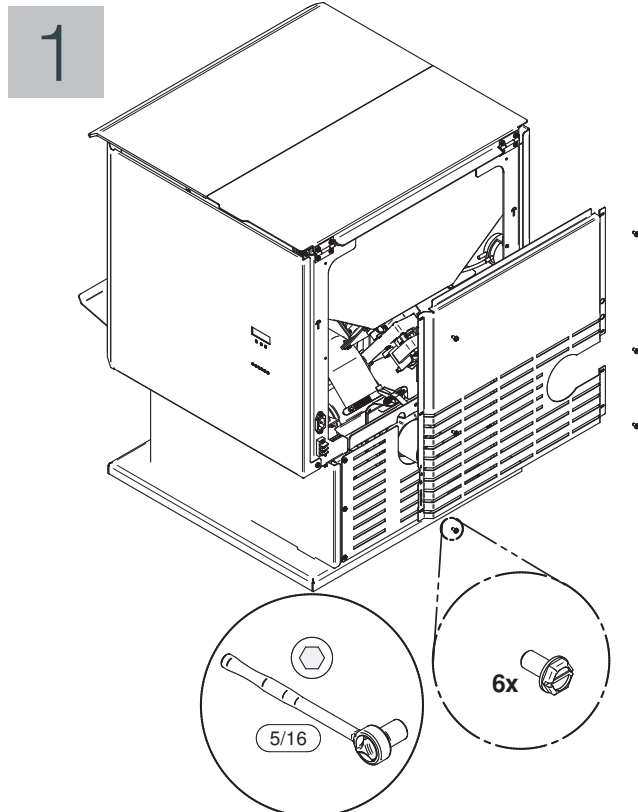
For actual part numbers, visit our website at www.drolet.ca/en/parts

TOOLS REQUIRED :

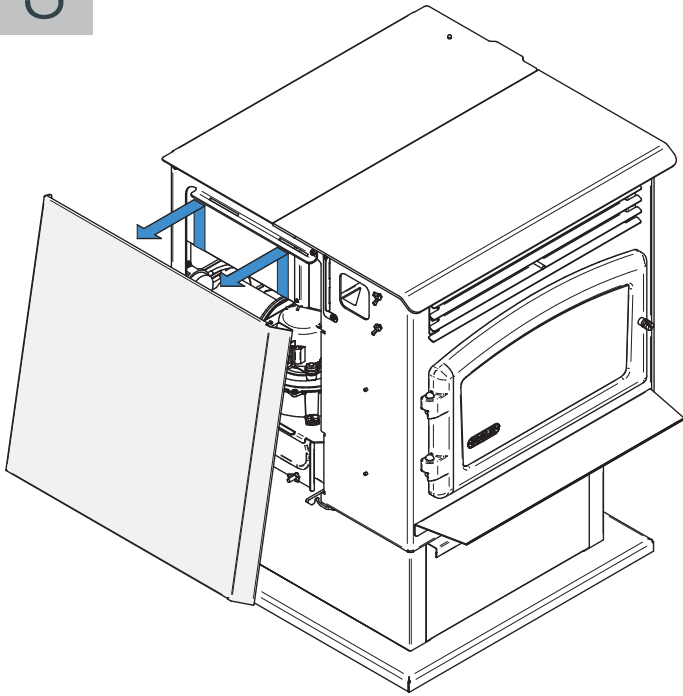
PARTS REQUIRED :



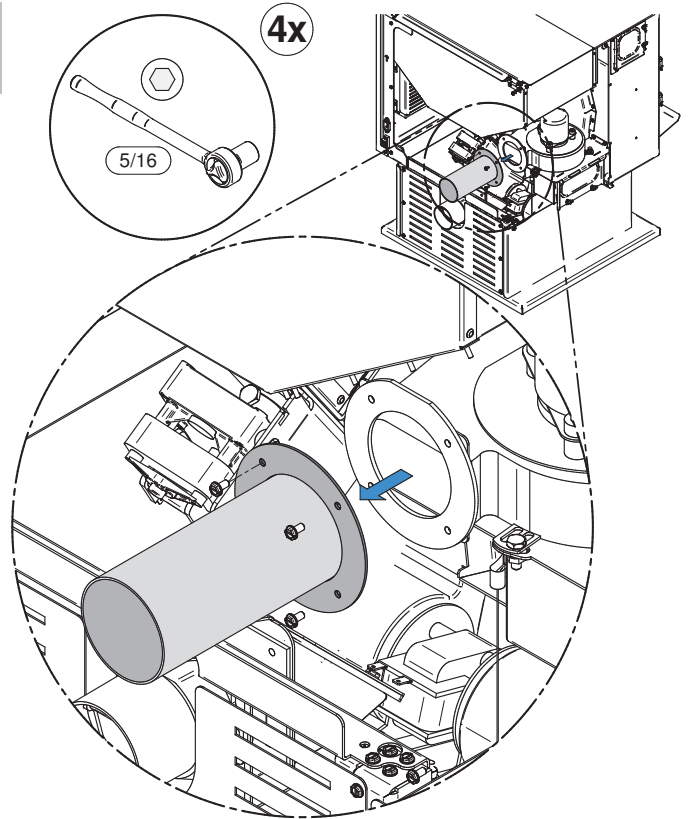
PROCEDURE :



3

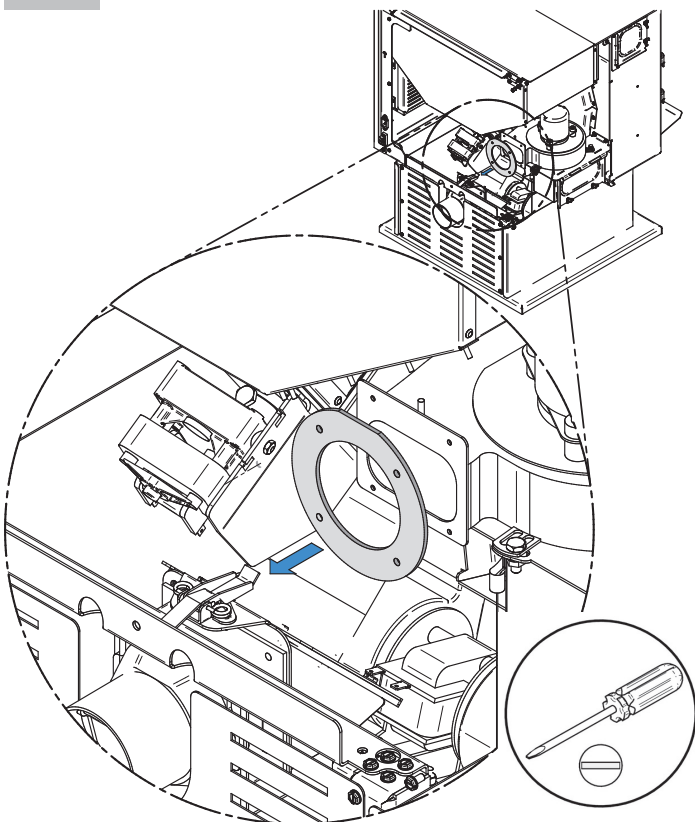


4

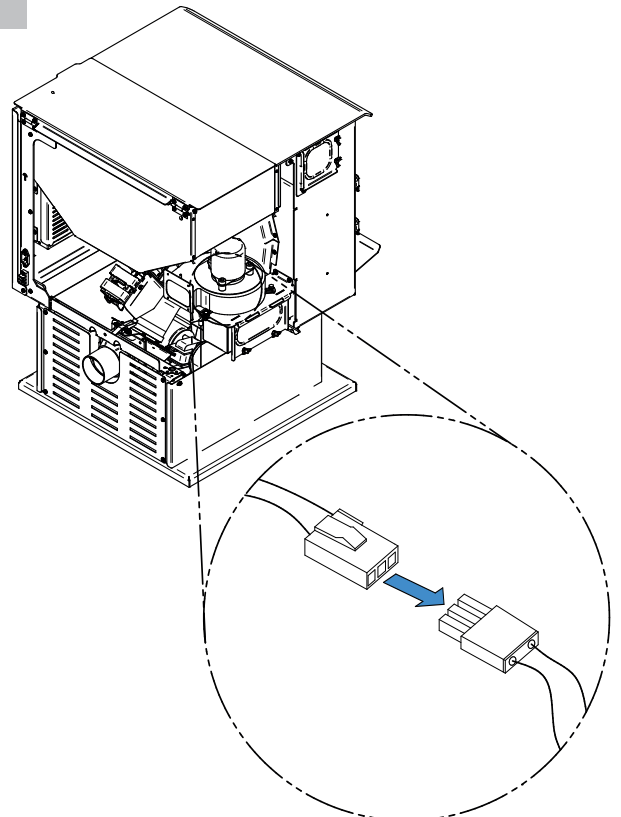


5

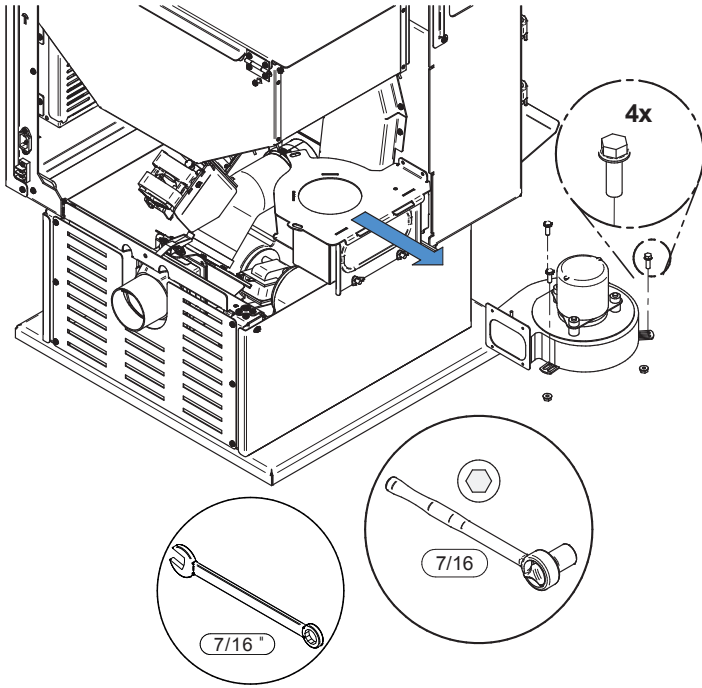
Use the screwdriver to remove the blower gasket.



6



7



8

Install the gasket on the exhaust blower before to replace it on the pellet stove.

9

Follow previous steps in reverse order to reinstall.

Stove Builder International inc.

250, rue de Copenhague,
St-Augustin-de-Desmaures (Québec) Canada
G3A 2H3

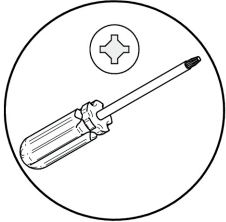
Customer service : 418-908-8002
Email : tech@sbi-international.com
www.drolet.ca



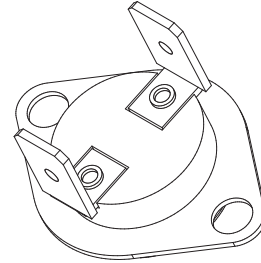
This document is available for free download on the manufacturer's website. It is a copyrighted document. Re-sale is strictly prohibited. The manufacturer may update this document from time to time and cannot be responsible for problems, injuries, or damages arising out of the use of information contained in any document obtained from unauthorized sources.

HOW TO	Document #	Model name		
	HT00133E	ECO-55 / ECO-55ST		
Replace F-160 thermodisc	Model number	Serial number		Date
	DP00070 / DP00071	100	to	...

TOOLS REQUIRED :

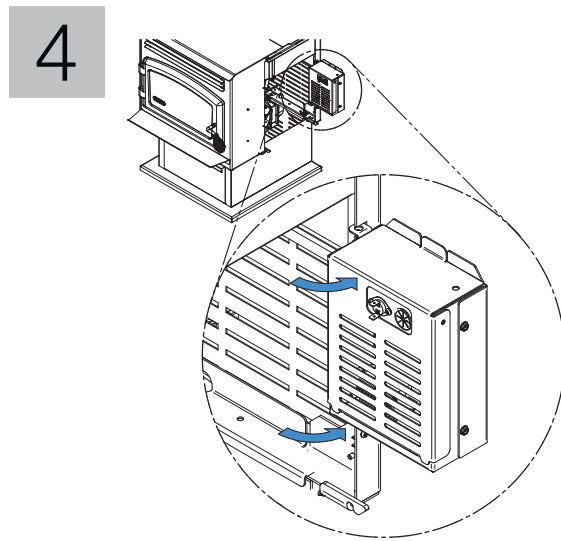
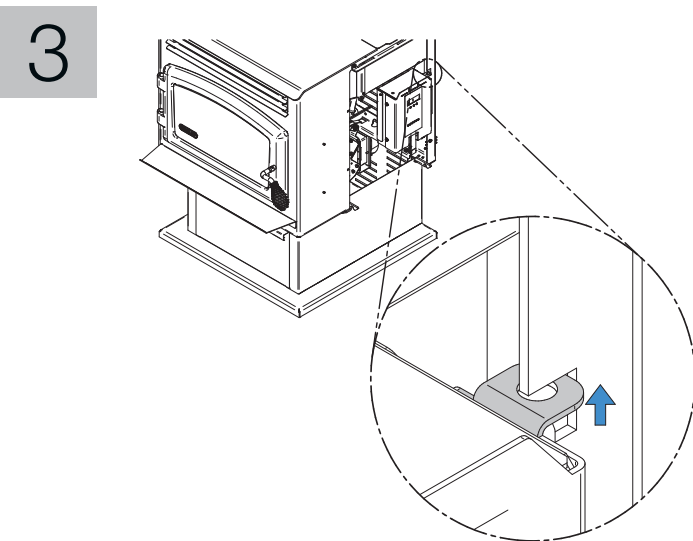
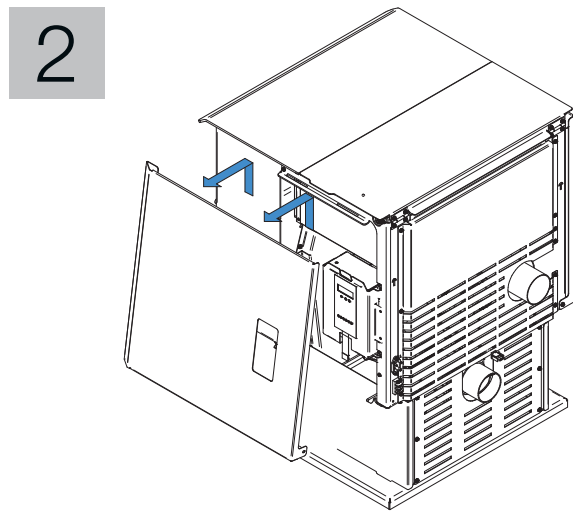
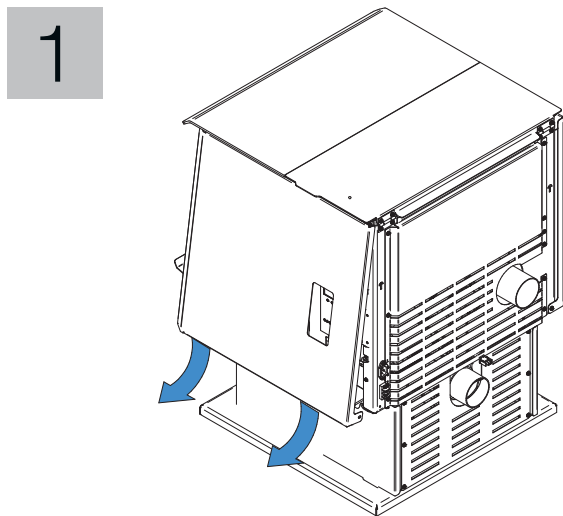


PARTS REQUIRED :

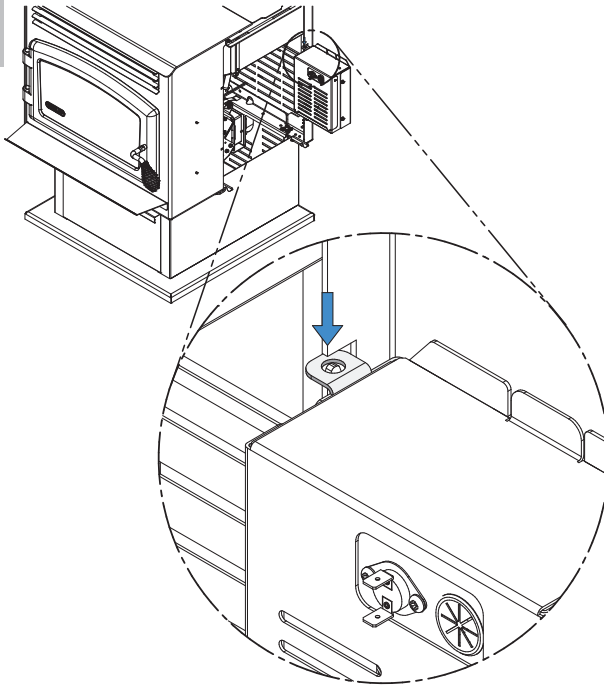


F-160 THERMODISC

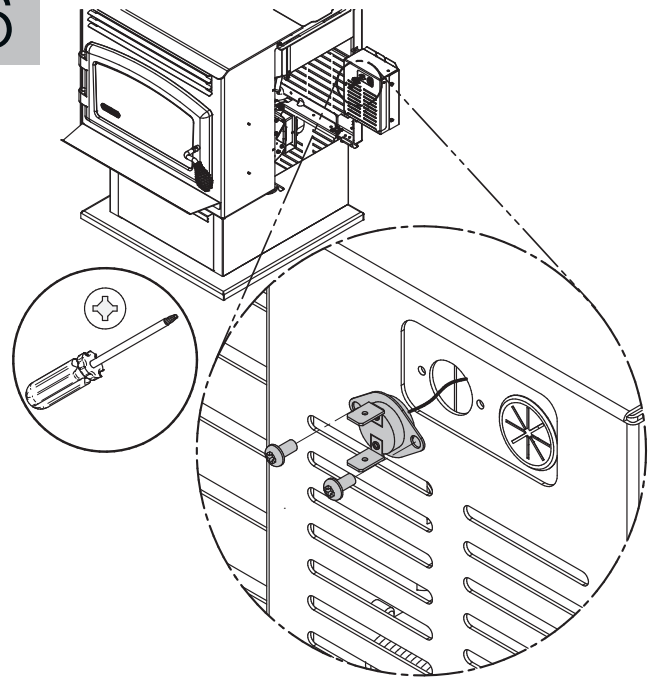
PROCEDURE :



5



6



7

Replace thermodisc and follow previous steps in reverse order.

Stove Builder International inc.
250, rue de Copenhague,
St-Augustin-de-Desmaures (Québec) Canada
G3A 2H3

Customer service : 418-908-8002
Email : tech@sbi-international.com

www.drolet.ca

HOW TO	Document #	Model name		
	HT00132E	ECO-55 / ECO-55ST		
REPLACE THE IGNITOR	Model number	Serial number		Date
	DP00070 / DP00071	100	to	... 2017-03-20

WARNING



HOT SURFACE. ALLOW TO COOL BEFORE SERVICING.

DANGER

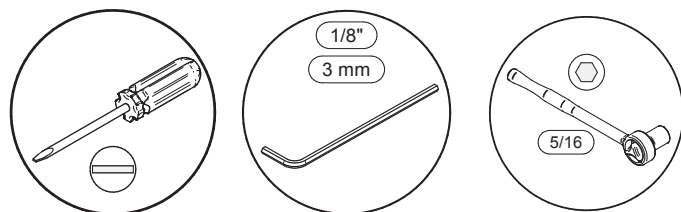


DISCONNECT ALL SOURCE OF POWER BEFORE SERVICING THE STOVE.

NOTE

For part numbers, visit our website at www.drolet.ca/en/parts/

TOOLS REQUIRED :

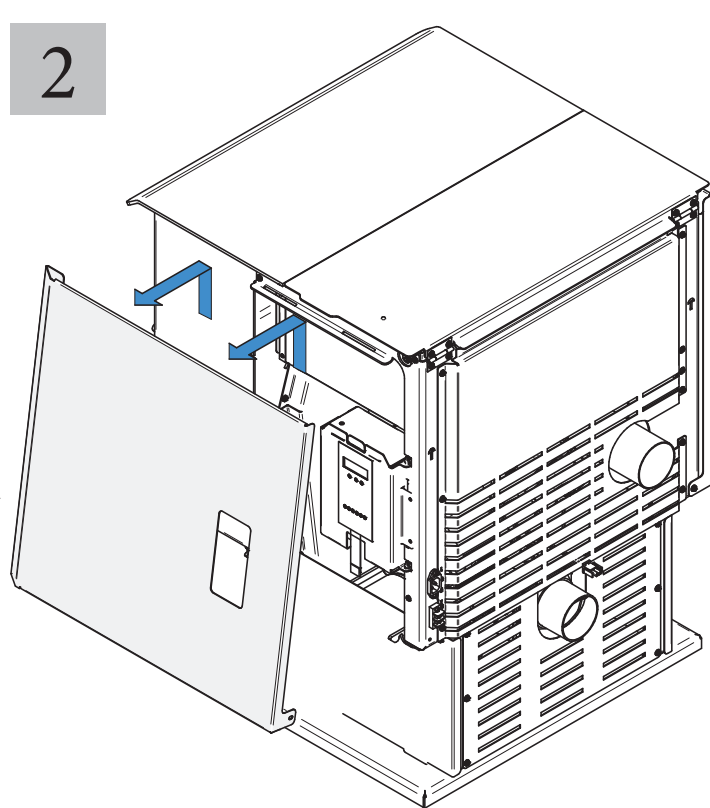
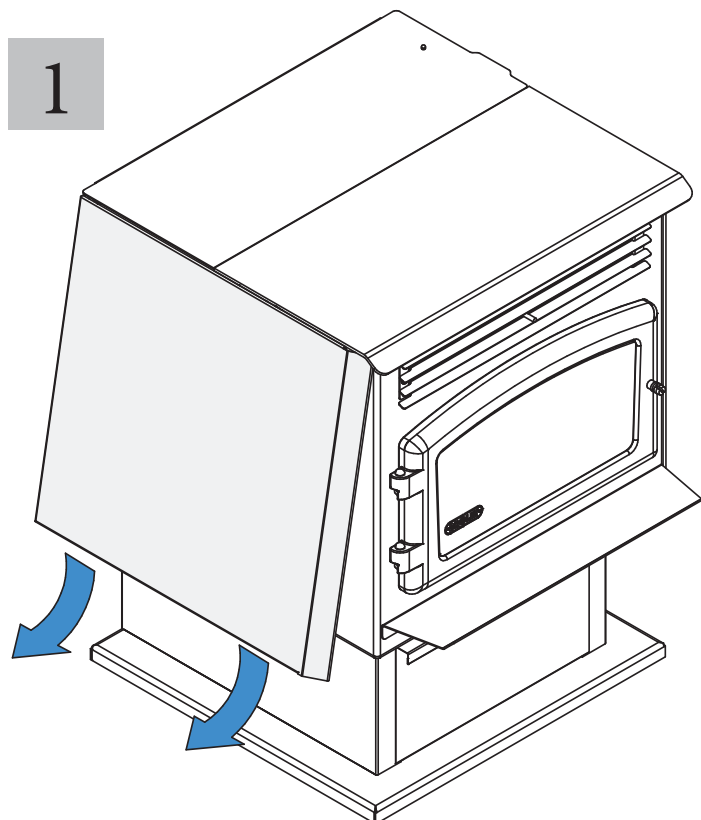


PARTS REQUIRED :

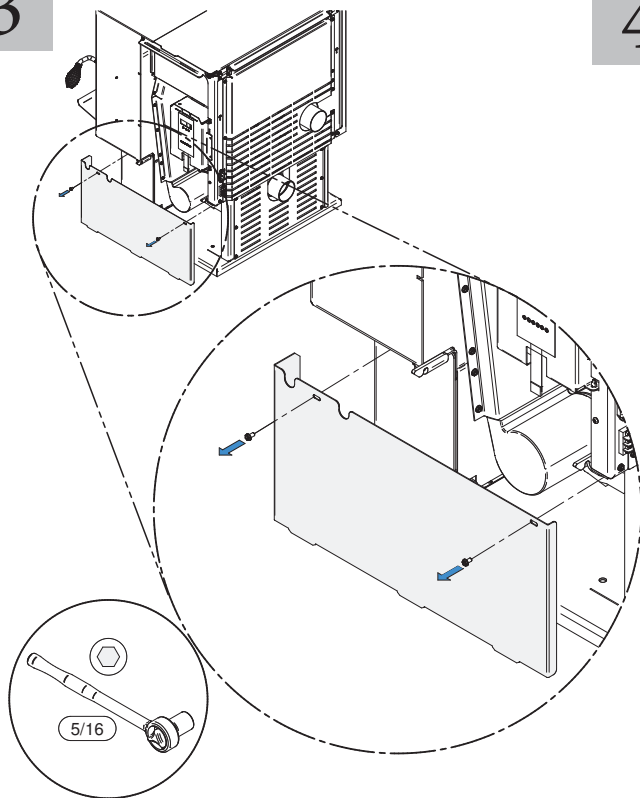


Ignitor

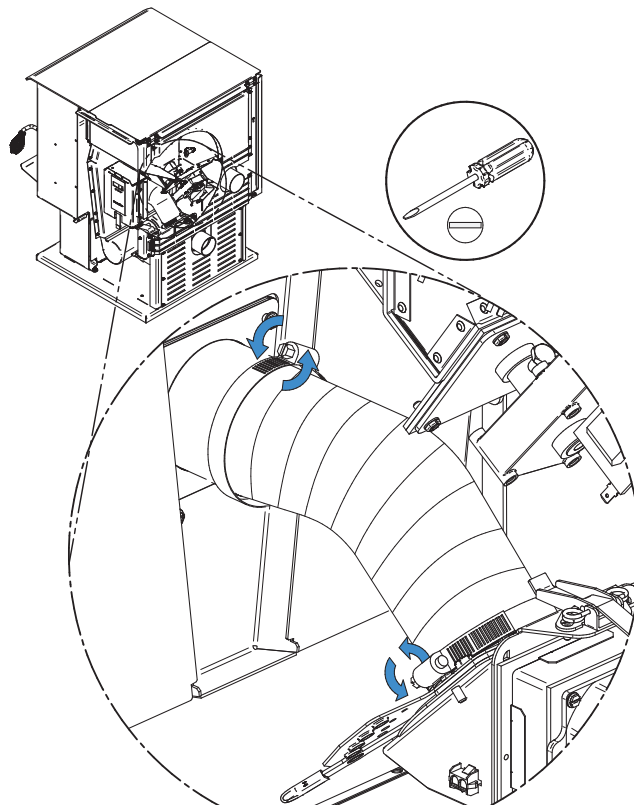
PROCEDURE :



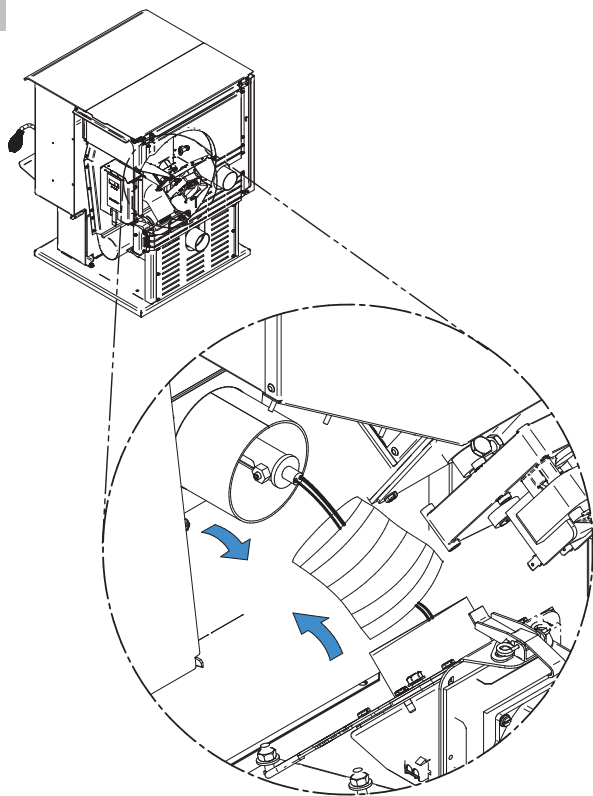
3



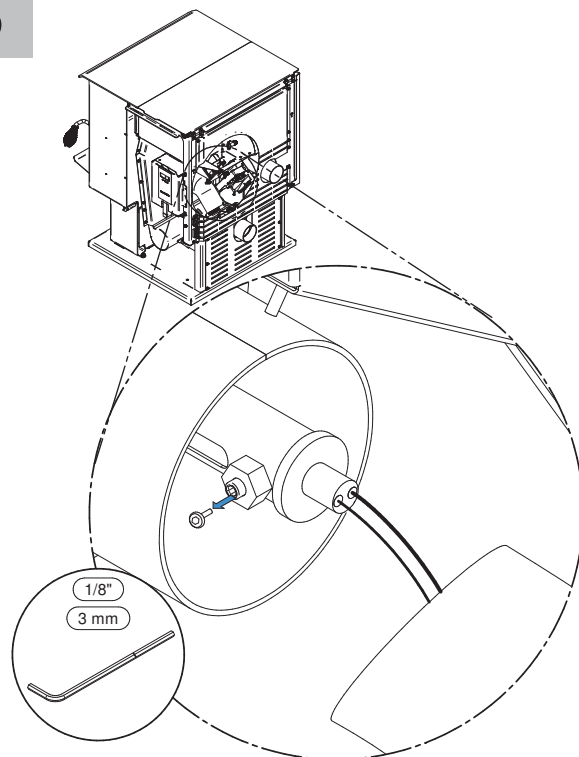
4



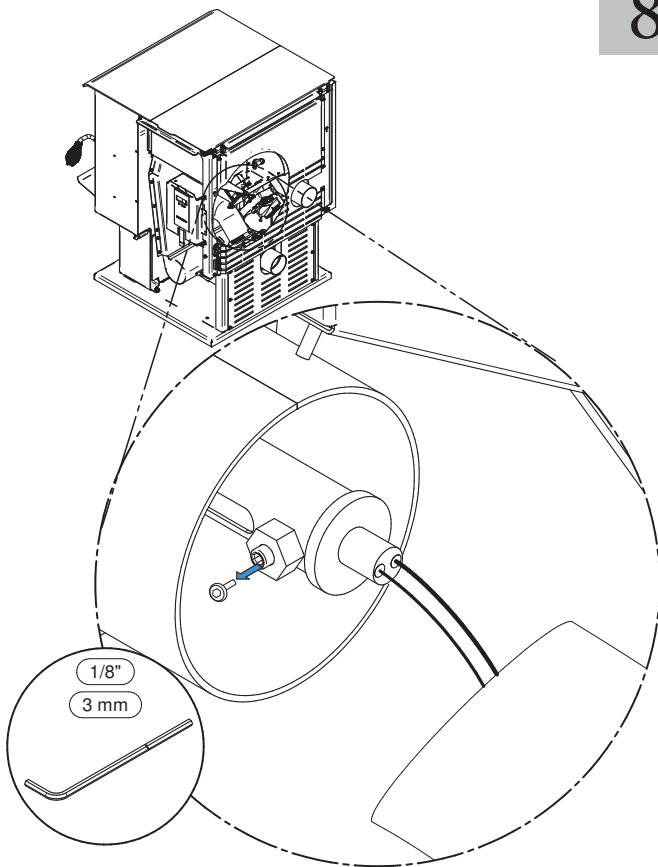
5



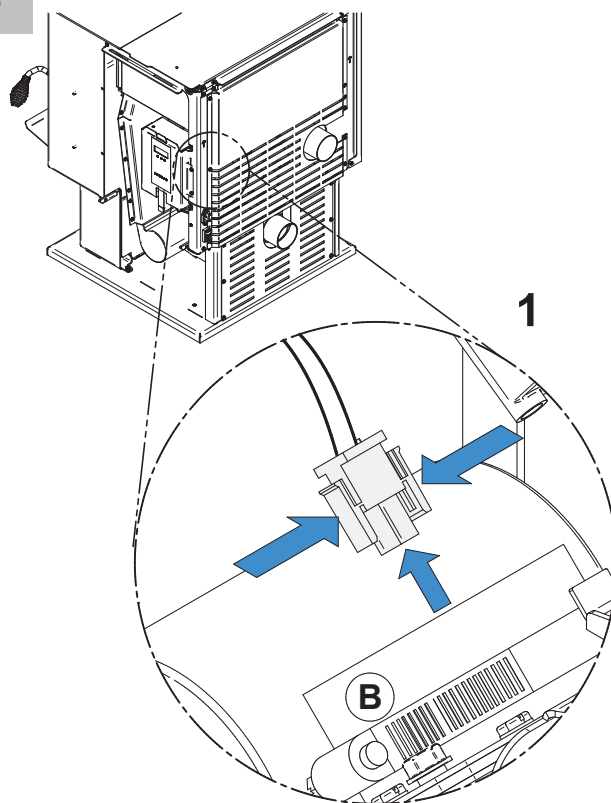
6



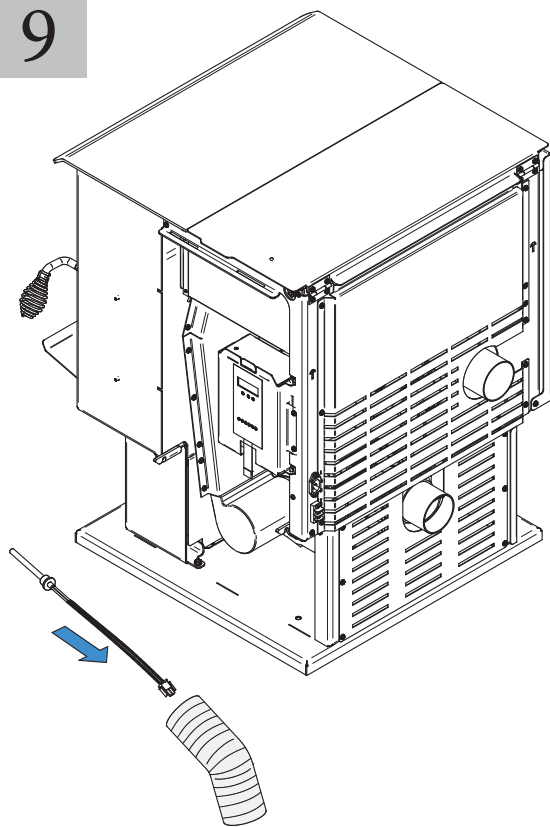
7



8



9



10

Follow previous steps in reverse order to reinstall.



This document is available for free download on the manufacturer's website. It is a copyrighted document. Re-sale is strictly prohibited. The manufacturer may update this document from time to time and cannot be responsible for problems, injuries, or damages arising out of the use of information contained in any document obtained from unauthorized sources.

Stove Builder International inc.
250, rue de Copenhague,
St-Augustin-de-Desmaures (Québec) Canada
G3A 2H3

Customer service : 418-908-8002
Email : tech@sbi-international.com
www.drolet.ca

<h1>HOW TO</h1>	Document #	Model name		
	HT00134E	ECO-55 / ECO-55ST		
Replace the L-250 thermodisc	Model number	Serial number		Date
	DP00070 / DP00071	100	to	...
		30-05-2017		

WARNING

HOT SURFACE. ALLOW TO COOL BEFORE SERVICING.

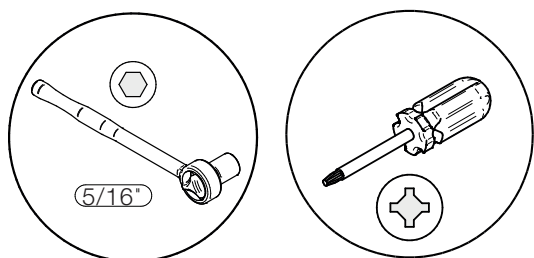
DANGER

DISCONNECT ALL SOURCE OF POWER BEFORE SERVICING THE STOVE.

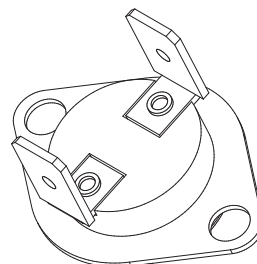
NOTE

For part numbers, visit our website at: www.drolet.ca/en/parts/

TOOLS REQUIRED :

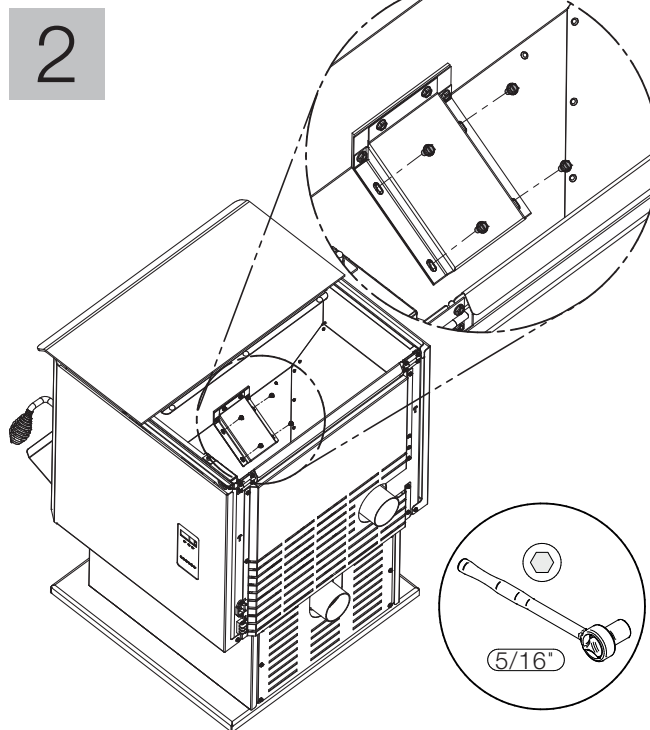
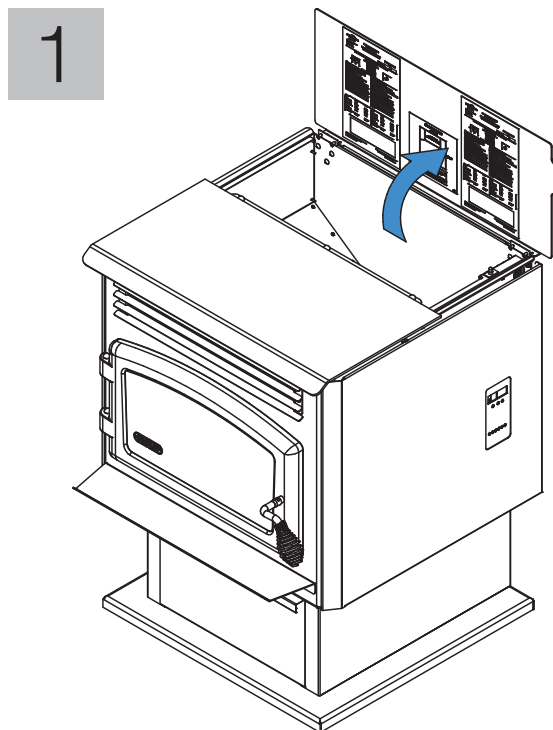


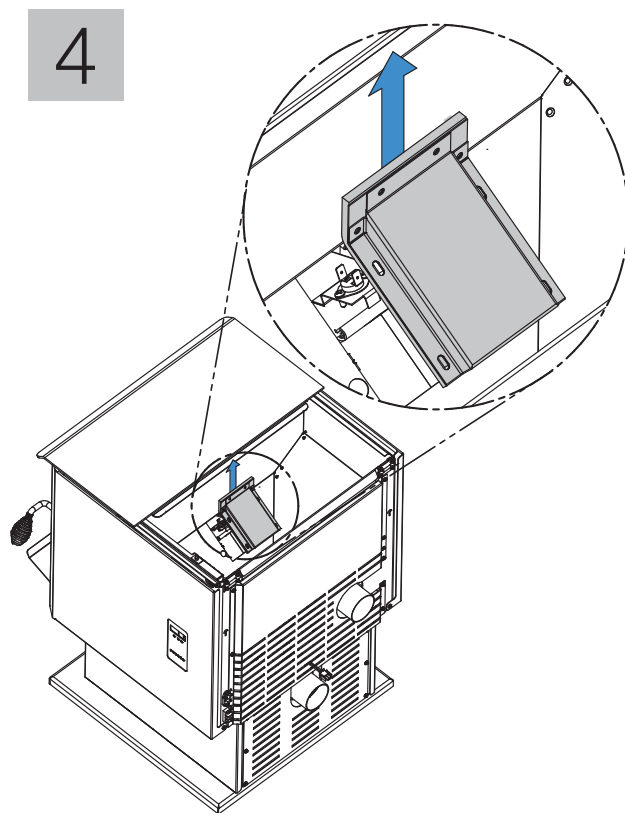
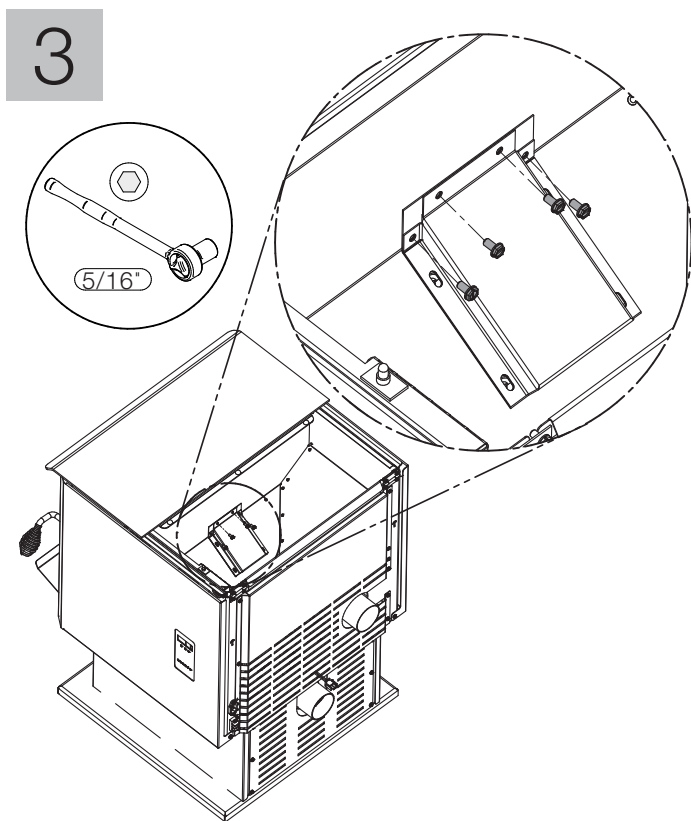
PARTS REQUIRED :



L-250 Thermodisc

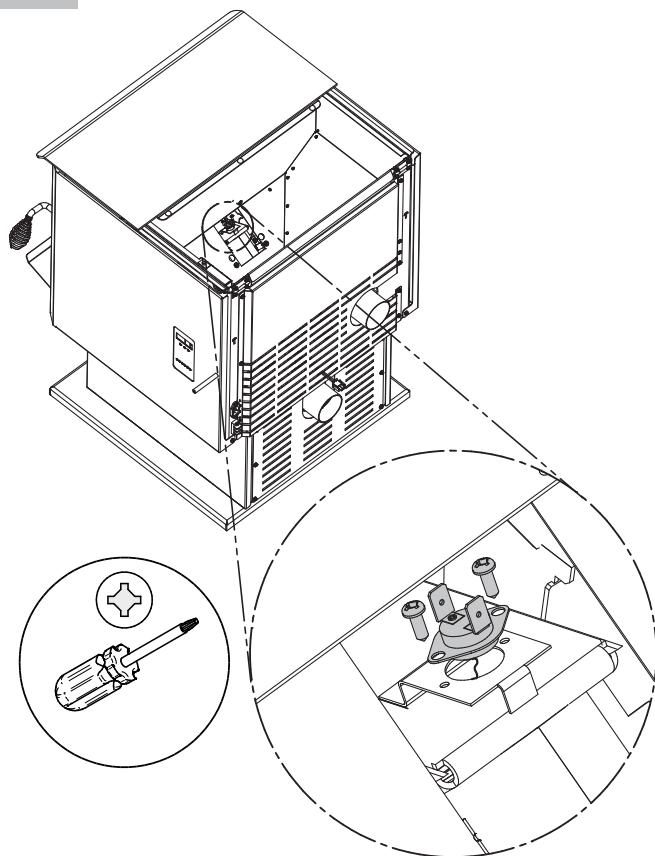
PROCEDURE :





5 Unscrew, disconnect and remove thermodisc.

6 Follow previous steps in reverse order to reinstall.



This document is available for free download on the manufacturer's website. It is a copyrighted document. Re-sale is strictly prohibited. The manufacturer may update this document from time to time and cannot be responsible for problems, injuries, or damages arising out of the use of information contained in any document obtained from unauthorized sources.

Stove Builder International inc.
250, rue de Copenhague,
St-Augustin-de-Desmaures (Québec) Canada
G3A 2H3
Customer service : 418-908-8002
Email : tech@sbi-international.com
www.drolet.ca

HOW TO	Document #	Model name		
		HT00140E	ECO-55 / ECO-55ST	
TEST A COMPONENT	Model number	Serial number		Date
	DP00070 / DP00071	100	to	...

When an electrical component seems to be defective, it is possible to test it by following the procedure given below. Testing components is only possible when the stove is OFF and that all the components are no more in function.

I/O description :

INPUT

Thermistor: Resistance reading the exhaust gas temperature.

F-160: Temperature Sensor, normally Open.

L-250 Automatic reset: Temperature sensor, normally closed

Hopper Switch: When the hopper is closed, switch is closed.

Lexan (Diaphragm switch): 6-switch diaphragm receiving user commands.

OUTPUT*



Igniter: 115V, 2.4A, 275W, 48Ω

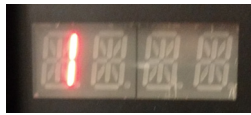
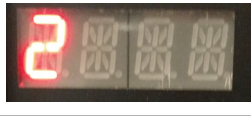
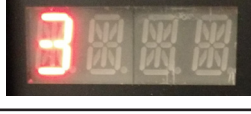
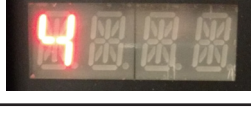


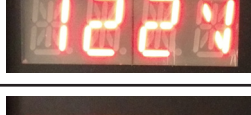
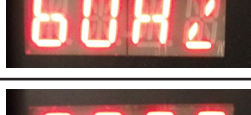
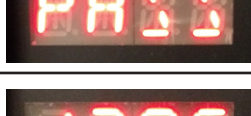

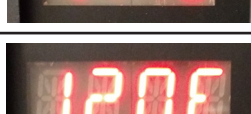

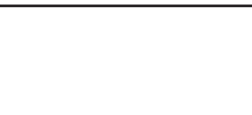
Evacuation motor: 115V, 1.1A, 127W


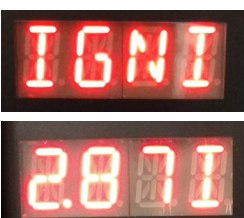

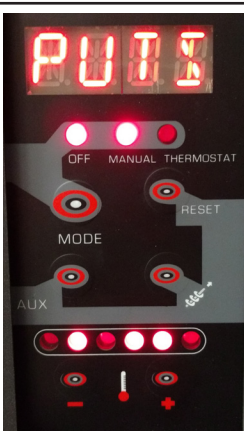

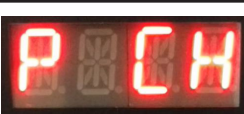


Convection motor: 115V, 0.9A, 96W,

Screw Motor: 115V, 190mA, 1.5RPM

*Note that the values are for reference only and may vary. If measured values are more or less than 30% of the value mentioned, it is considered good.

<p>To access the test mode, press on the «RESET» and «AUGER» buttons simultaneously for 3 seconds. Each segment of each section of the display will turn on in sequence. Press «MODE».</p>	
<p>Complete display and all LED's light up simultaneously. Press «MODE».</p>	

«MODE» button key test. Number 1 shown. Press «MODE».	
«RESET» button key test. Number 2 shown. Press «RESET».	
«AUX» button key test. Number 3 shown. Press «AUX».	
«AUGER» button key test. Number 4 shown. Press «AUGER».	
«-» button key test. Number 5 shown. Press «-».	
«+» button key test. Number 6 shown. Press «+».	
The voltage of the power source is displayed. Press «MODE».	
The frequency of the power source is displayed. Press «MODE».	
Displays «PASS» if polarity is good, «FAIL» if polarity is reversed or if there is a poor or no electrical ground. Press «MODE».	
Convection blower test. Displays the electrical voltage followed by a «C» alternating with the current, followed by an «I» . Press «MODE».	 
Exhaust blower test. Displays the electrical voltage followed by an «E» alternating with the current, followed by an «I» . Press «MODE».	 

<p>Combustion blower test. Displays electrical voltage followed by a «B» alternating with the current, followed by an «I» . Press «MODE».</p>	
<p>Ignitor test. Displays «IGNITOR» alternating with the current, followed by an «I» . Press «MODE».</p>	
<p>Auger test. Displays «AUGER» alternating with the current, followed by an «I». Press «MODE».</p>	
<p>Displays «INPUTS» and shows the status of different components when the unit is cold.</p> <p>OFF DEL: Pressure switch MANUAL DEL: Hopper switch THERMOSTAT DEL: Thermostat FEED RATE 1 : (non operative) FEED RATE 2 : F160 (normally open) FEED RATE 3 : L250 (normally closed) FEED RATE 4 : (non operative) FEED RATE 5 : Thermistor FEED RATE 6 : (non operative)</p> <p>Press «MODE».</p>	
<p>Displays «TSTAT». To go to the next step, the thermostat block terminal must be short-circuit.</p>	
<p>Displays «P_CHECK» and verifies the pressure switch. Press «MODE».</p>	
<p>Displays the thermistor temperature. Press «MODE».</p>	
<p>Displays the igniting time of the stove. Press «MODE».</p>	

Displays the operating time of the stove. Press «MODE».



Displays «EEPROM PASS» or «EEPROM FAIL». Validate that the control board's EEPROM is functional. To exit the test mode, Press «MODE».



Stove Builder International inc.
250, rue de Copenhague,
St-Augustin-de-Desmaures (Québec) Canada
G3A 2H3

Customer service : 418-908-8002
Email : tech@sbi-international.com
www.drolet.ca