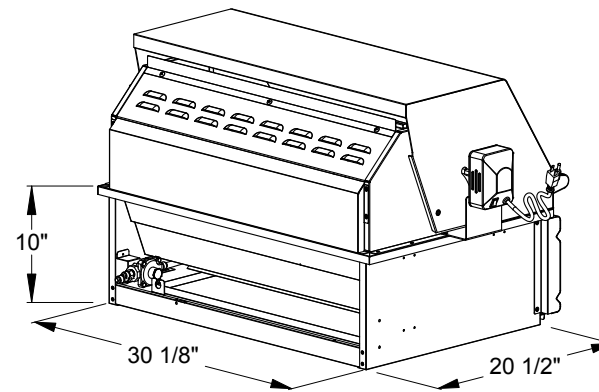
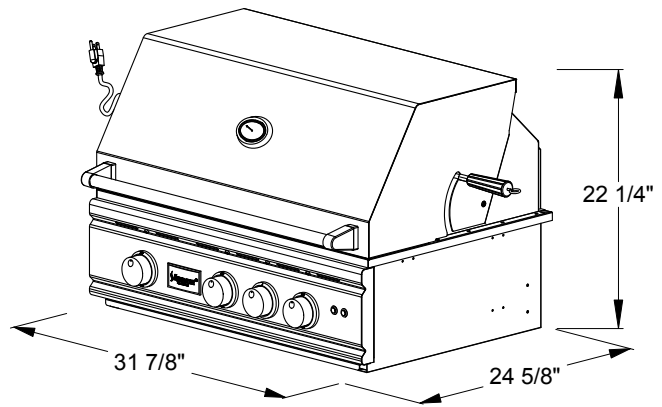


TRL 32"

SKU: TRL32

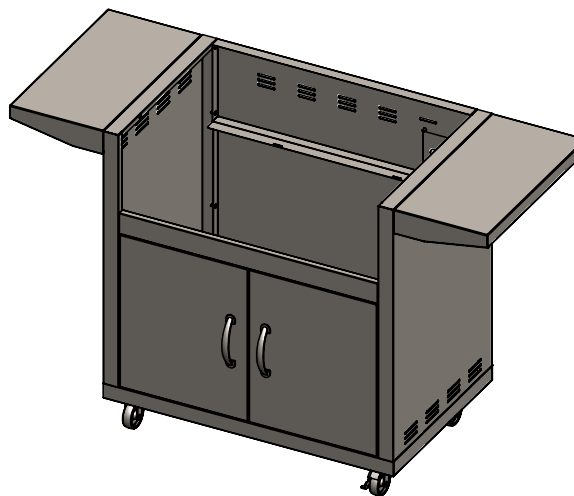
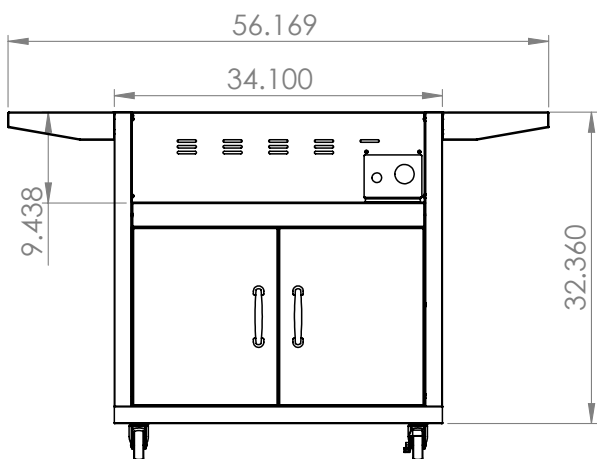
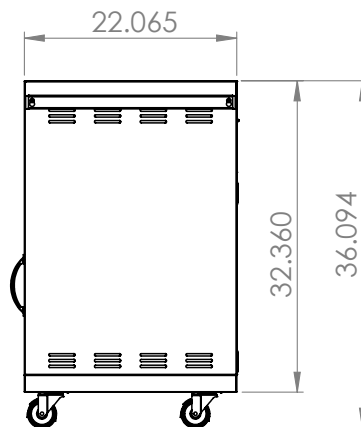
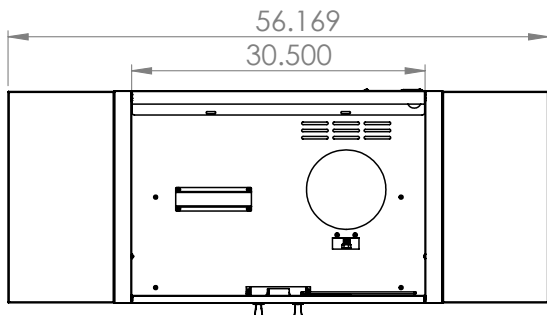
NOTES

---



**DISCLAIMER**

We recommend adding a 1/4" (.25) to the inner dimension to ensure the unit fits properly in the build out.


**32 inch TRL Cart**
**SKU: CART-TRL32**
**NOTES**


---

**DISCLAIMER**

We recommend adding a 1/4" (.25) to the inner dimension to ensure the unit fits properly in the build out.