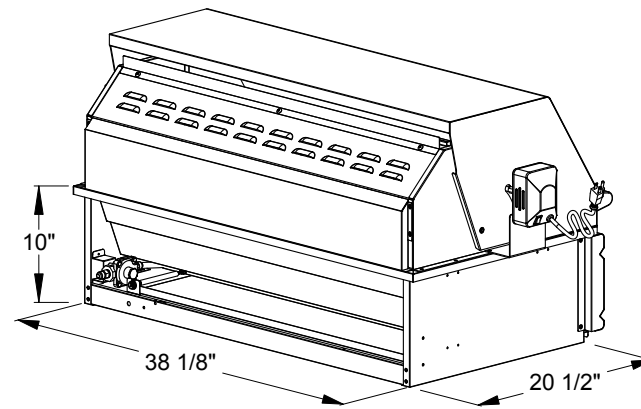
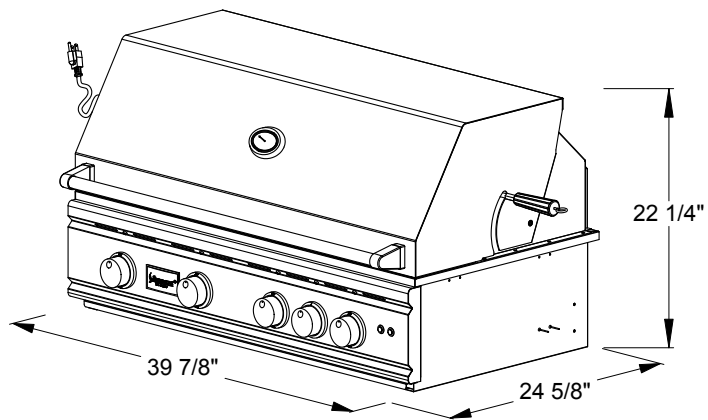


TRL 38"

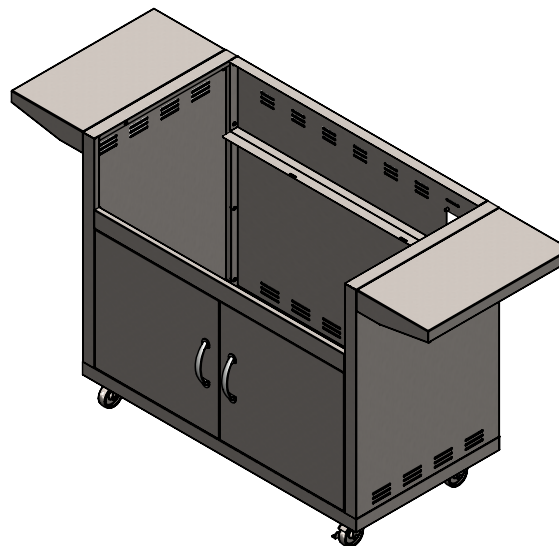
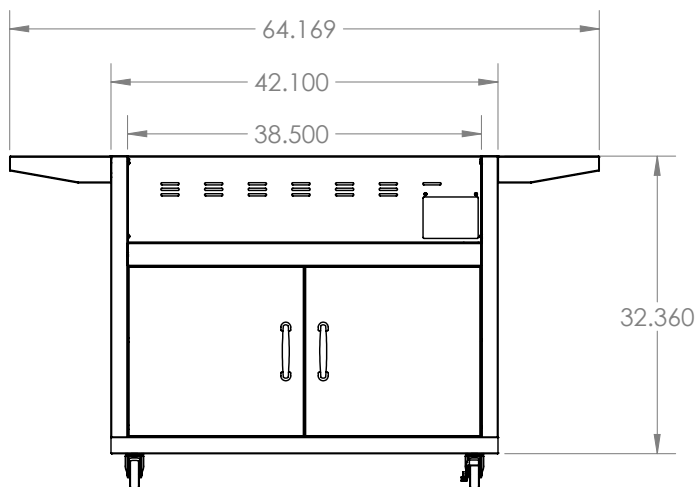
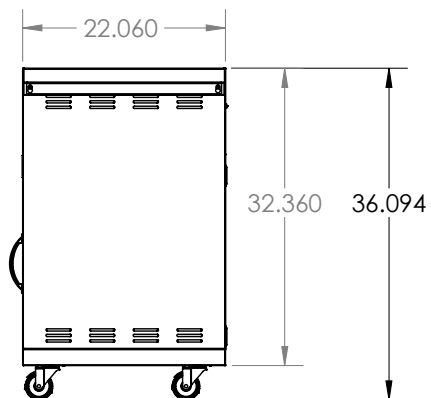
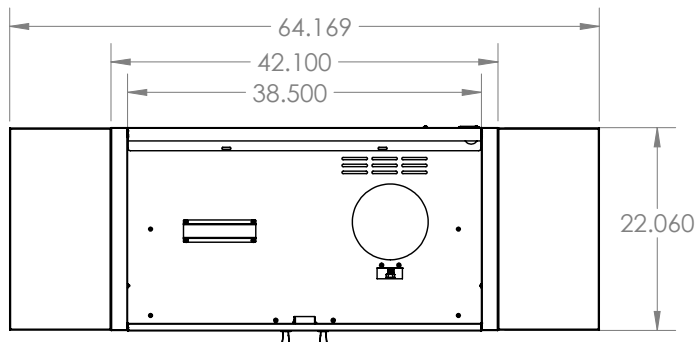
SKU: TRL38

NOTES



**DISCLAIMER**

We recommend adding a 1/4" (.25) to the inner dimension to ensure the unit fits properly in the build out.


**38 inch TRL Cart**
**SKU: CART-TRL38**
**NOTES**


---

**DISCLAIMER**

We recommend adding a 1/4" (.25) to the inner dimension to ensure the unit fits properly in the build out.