

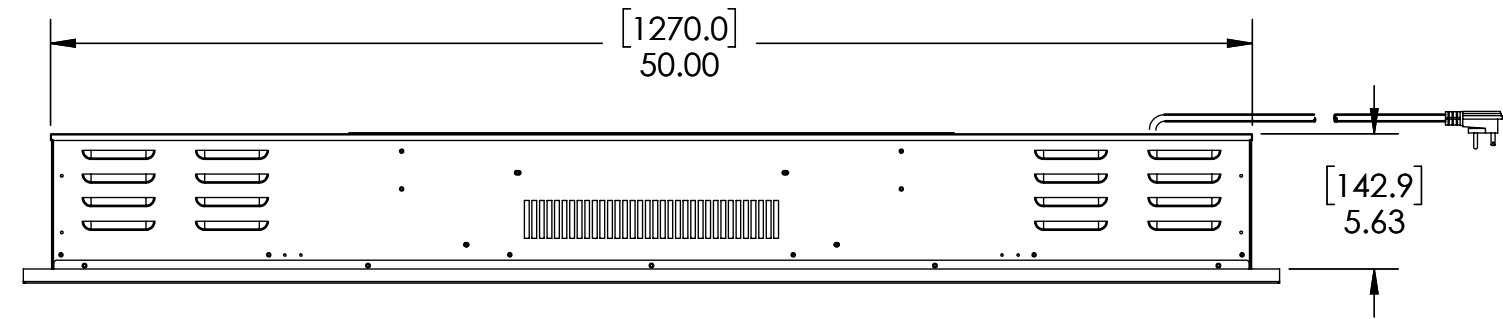
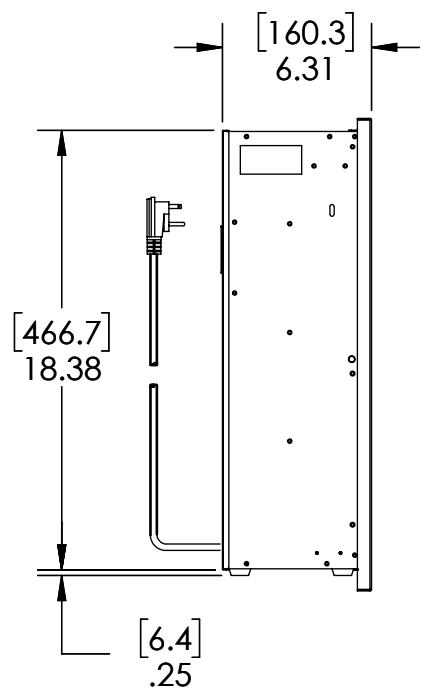
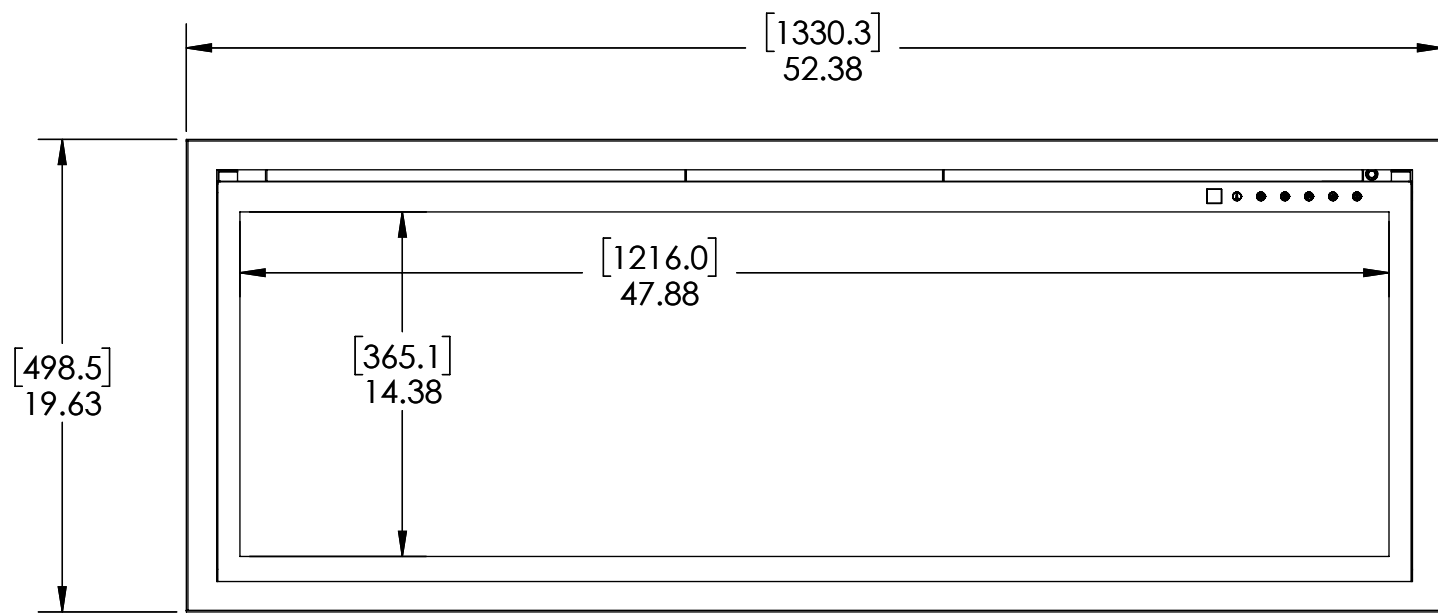
4

3

2

1

REVISIONS				
ZONE	REV.	DESCRIPTION	DATE	APPROVED



UNLESS OTHERWISE SPECIFIED:		NAME	DATE	RPG BRANDS
DIMENSIONS ARE IN INCHES		DRAWN		
TOLERANCES:		CHECKED		
FRACTIONAL ±		ENG APPR.		
ANGULAR: MACH ±1° BEND ±1		MFG APPR.		
TWO PLACE DECIMAL ±.010		Q.A.		
THREE PLACE DECIMAL ±.005		PROPRIETARY AND CONFIDENTIAL		
INTERPRET GEOMETRIC TOLERANCING PER:		THE INFORMATION CONTAINED IN THIS DRAWING IS THE SOLE PROPERTY OF RICHARDSON'S PRODUCT GROUP. ANY REPRODUCTION IN PART OR AS A WHOLE WITHOUT THE WRITTEN PERMISSION OF RICHARDSON'S PRODUCT GROUP IS PROHIBITED.		
MATERIAL		SIZE B	DWG. NO.	REV
FINISH		SCALE: 1:8		WEIGHT:
DO NOT SCALE DRAWING				SHEET 1 OF 1

4

3

2

1

B

B

A

A

4

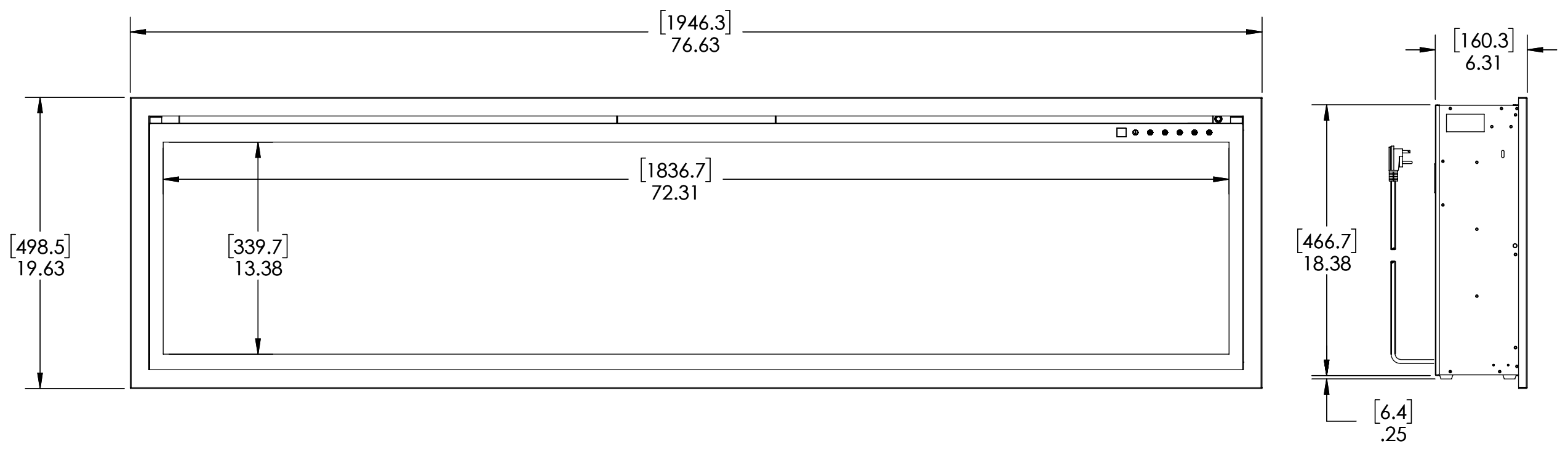
3

2

1

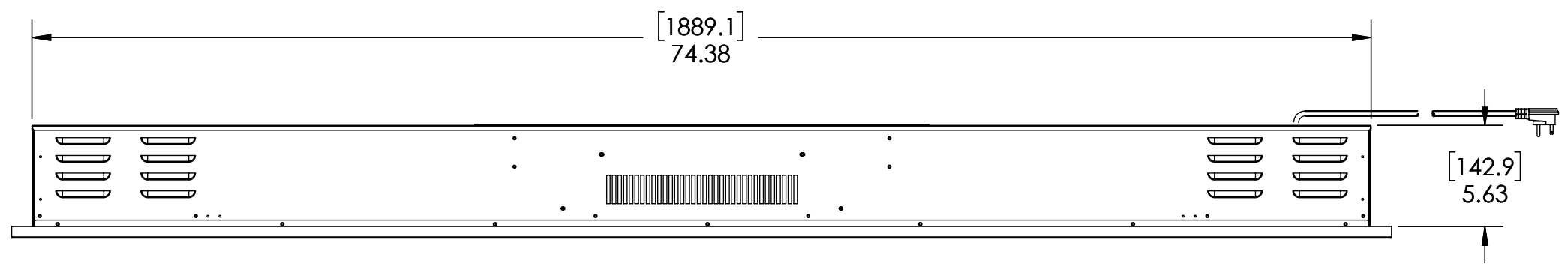
REVISIONS				
ZONE	REV.	DESCRIPTION	DATE	APPROVED

B



B

A



A

4

3

2

1

UNLESS OTHERWISE SPECIFIED:		NAME	DATE	RPG BRANDS	
DIMENSIONS ARE IN INCHES TOLERANCES: FRACTIONAL ± ANGULAR: MACH ±1° BEND ±1 TWO PLACE DECIMAL ±.010 THREE PLACE DECIMAL ±.005		DRAWN			
INTERPRET GEOMETRIC TOLERANCING PER:		CHECKED		SIZE B	DWG. NO.
MATERIAL		ENG APPR.			
FINISH		MFG APPR.		REV	
DO NOT SCALE DRAWING		Q.A.		SHEET 1 OF 1	
		PROPRIETARY AND CONFIDENTIAL THE INFORMATION CONTAINED IN THIS DRAWING IS THE SOLE PROPERTY OF RICHARDSON'S PRODUCT GROUP. ANY REPRODUCTION IN PART OR AS A WHOLE WITHOUT THE WRITTEN PERMISSION OF RICHARDSON'S PRODUCT GROUP IS PROHIBITED.			

4

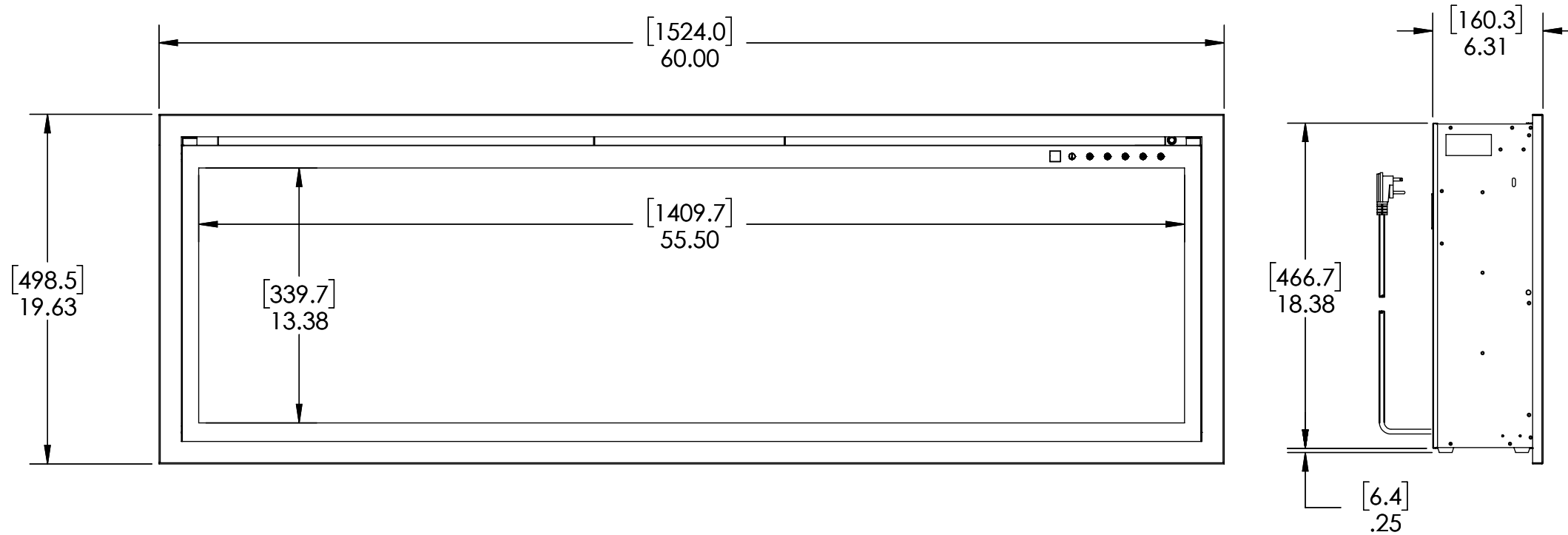
3

2

1

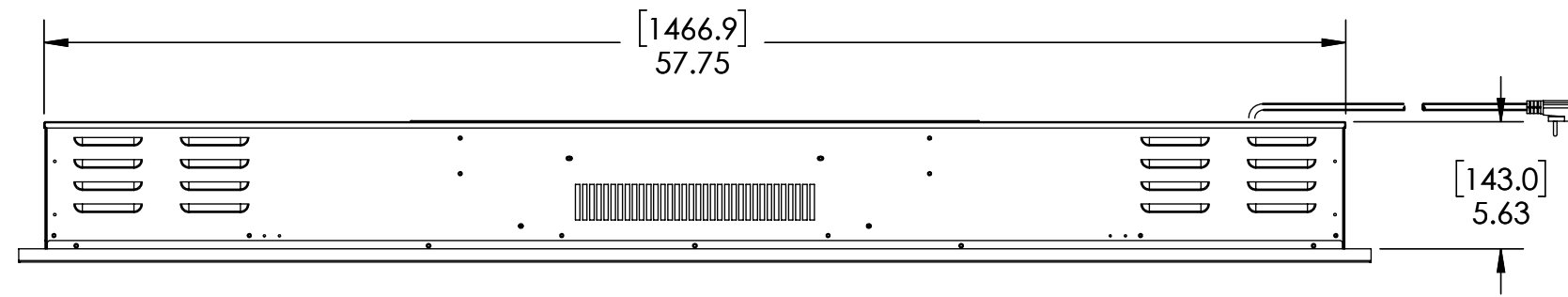
REVISIONS				
ZONE	REV.	DESCRIPTION	DATE	APPROVED

B



B

A



A

UNLESS OTHERWISE SPECIFIED:		NAME	DATE	RPG BRANDS	
DIMENSIONS ARE IN INCHES TOLERANCES: FRACTIONAL ± ANGULAR: MACH ±1° BEND ±1 TWO PLACE DECIMAL ±.010 THREE PLACE DECIMAL ±.005		DRAWN			
INTERPRET GEOMETRIC TOLERANCING PER:		CHECKED		SIZE	DWG. NO.
MATERIAL		ENG APPR.		B	REV
FINISH		MFG APPR.			
DO NOT SCALE DRAWING		Q.A.		SHEET 1 OF 1	
		PROPRIETARY AND CONFIDENTIAL THE INFORMATION CONTAINED IN THIS DRAWING IS THE SOLE PROPERTY OF RICHARDSON'S PRODUCT GROUP. ANY REPRODUCTION IN PART OR AS A WHOLE WITHOUT THE WRITTEN PERMISSION OF RICHARDSON'S PRODUCT GROUP IS PROHIBITED.			

4

3

2

1

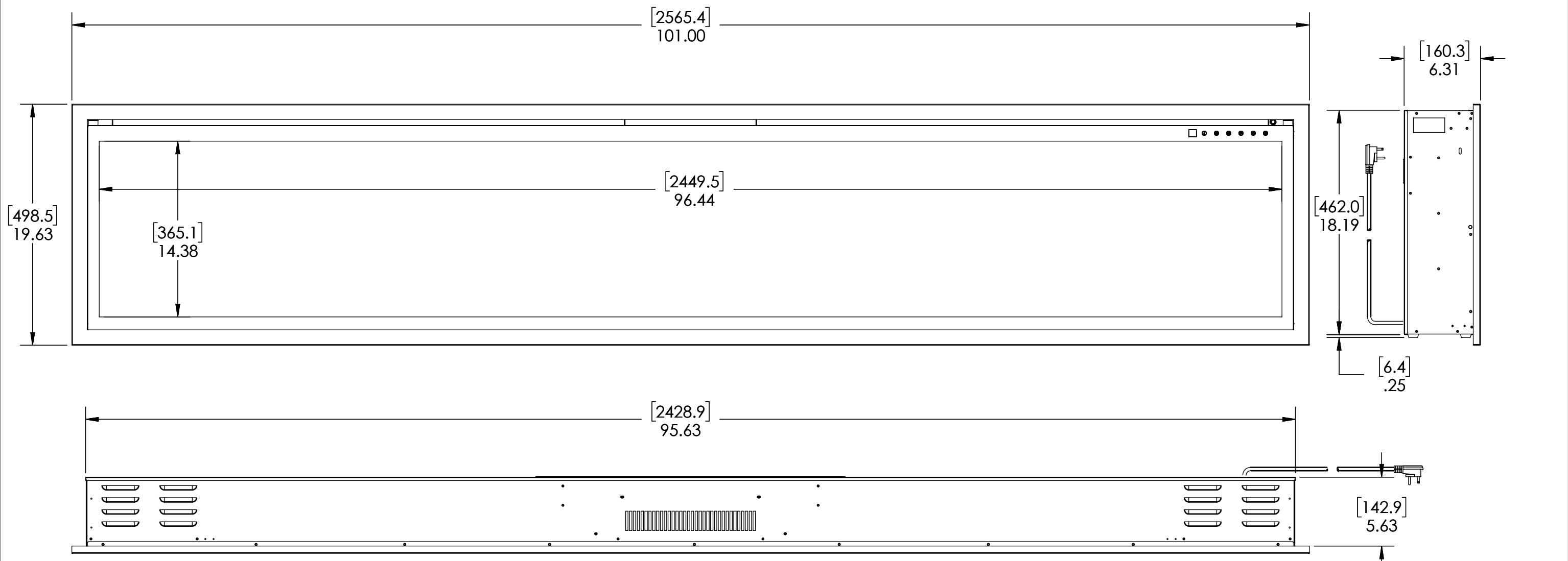
4

3

2

1

REVISIONS				
ZONE	REV.	DESCRIPTION	DATE	APPROVED



4

3

2

1

UNLESS OTHERWISE SPECIFIED: DIMENSIONS ARE IN INCHES TOLERANCES: FRACTIONAL ± ANGULAR: MACH ±1° BEND ±1 TWO PLACE DECIMAL ±.010 THREE PLACE DECIMAL ±.005 INTERPRET GEOMETRIC TOLERANCING PER: MATERIAL FINISH DO NOT SCALE DRAWING		NAME	DATE	RPG BRANDS TITLE: ORION SLIM 100"
	DRAWN			
	CHECKED			
	ENG APPR.			
	MFG APPR.			
	Q.A.			
	PROPRIETARY AND CONFIDENTIAL THE INFORMATION CONTAINED IN THIS DRAWING IS THE SOLE PROPERTY OF RICHARDSON'S PRODUCT GROUP. ANY REPRODUCTION IN PART OR AS A WHOLE WITHOUT THE WRITTEN PERMISSION OF RICHARDSON'S PRODUCT GROUP IS PROHIBITED.			SIZE B
	DWG. NO.		REV	
	SCALE: 1:8	WEIGHT:	SHEET 1 OF 1	