



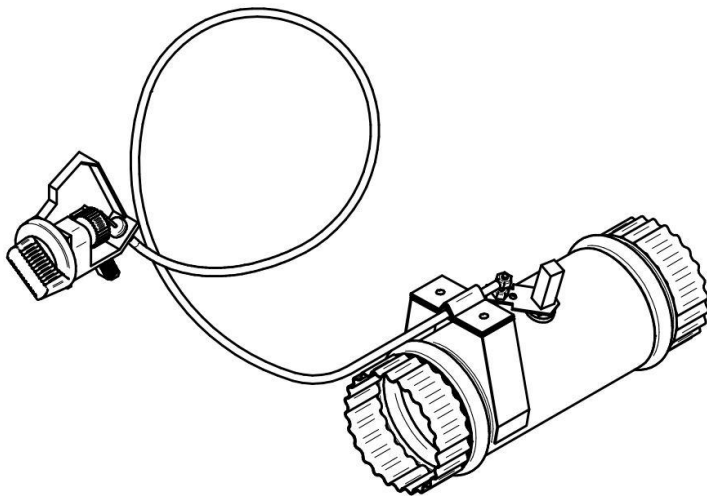
FRESH AIR INTAKE REGISTER WITH AIRTIGHT DAMPER

AC01345
3"

AC01347
4"

AC01349
5"

INSTALLATION INSTRUCTIONS



CAUTION:

THE FRESH AIR INTAKE REGISTER WITH AIRTIGHT DAMPER MUST NOT BE IN A CLOSED POSITION WHEN YOUR HEATING APPLIANCE IS IN USE OR IN WAITING MODE ON THERMOSTAT.

MEETS INSTALLATION REQUIREMENTS FOR SOLID FUEL HEATING APPLIANCES IN AIRTIGHT HOMES IN ACCORDANCE WITH LOCAL STANDARDS.

This device opens and closes the fresh air supply to a wood or pellet heating appliance being certified with a fresh air intake kit. Its simple mechanism makes it possible to close the damper tightly when the heating appliance is not in operation.

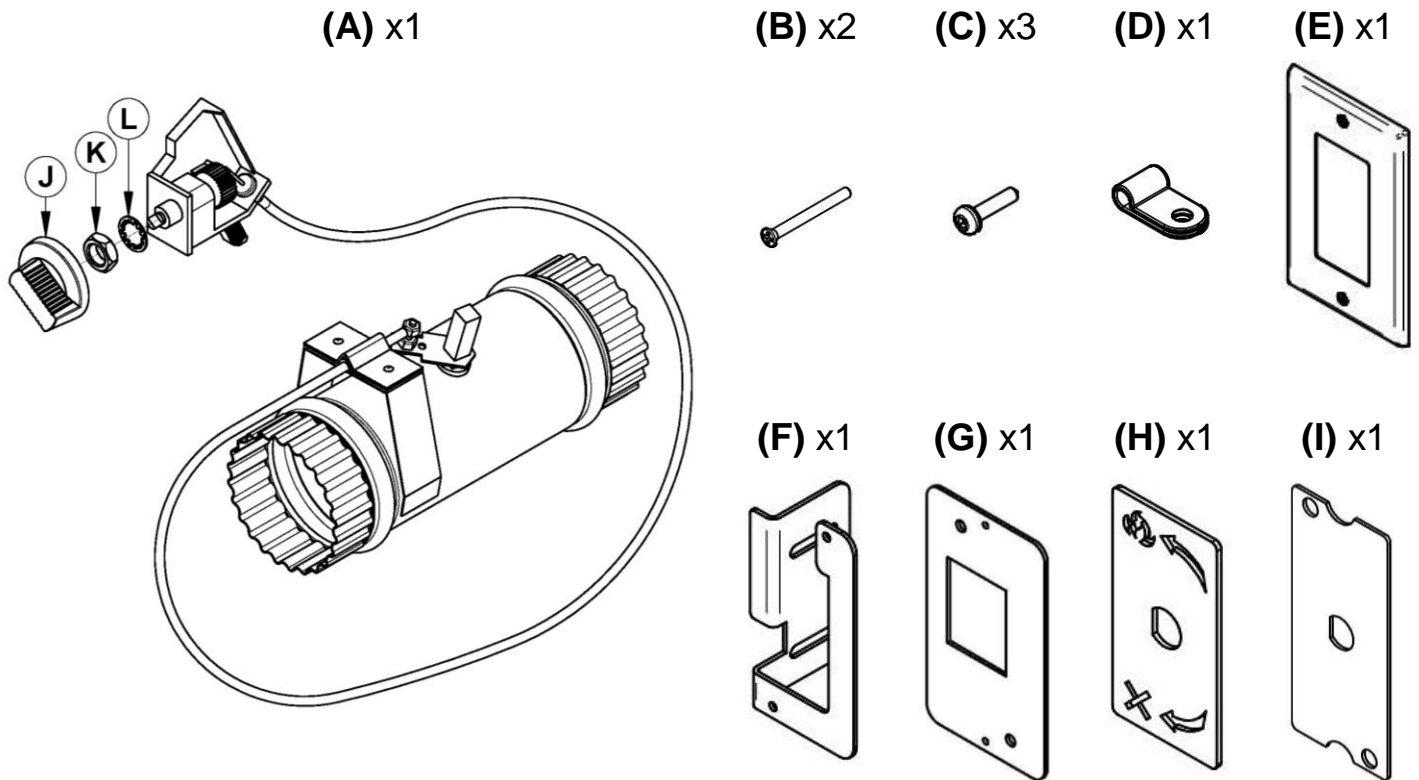
Stove Builder International inc.

250, rue de Copenhague, Saint-Augustin-de-Desmaures, Quebec, Canada G3A 2H3

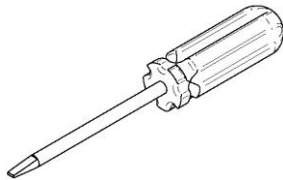


This manual is available for free download on the manufacturer's web site. It is a copyrighted document. Re-sale is strictly prohibited. The manufacturer may update this manual from time to time and cannot be responsible for problems, injuries, or damages arising out of the use of information contained in any manual obtained from unauthorized sources.

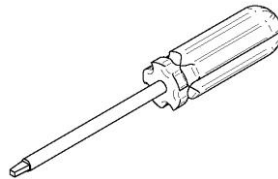
This assembly contains the following parts:



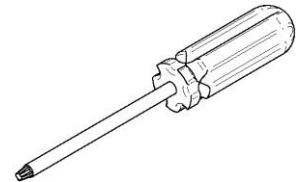
Tools required for the installation:



Flat screwdriver



Robertson #2 screwdriver



Phillips screwdriver

RECOMMENDATIONS

DO NOT INSTALL THIS ASSEMBLY TOO CLOSE TO AN OUTSIDE WALL TO PREVENT THE DAMPER FROM FREEZING.

DO NOT INSTALL THE FRESH AIR INTAKE REGISTER THROUGH PARTITIONS OF A WALL, FLOOR OR CEILING TO AVOID BLOCKING THE MECHANISM.

DO NOT COVER THE DAMPER MOTION MECHANISM WITH AN INSULATION PRODUCT THAT COULD BLOCK IT. ANY OTHER PART OF THE PIPE MAY BE INSULATED TO PREVENT CONDENSATION.

IT IS RECOMMENDED TO PROVIDE ACCESS TO THE FRESH AIR INTAKE REGISTER WITH AIRTIGHT DAMPER IN CASE OF BREAKAGE OR DEFECT.

THE HVAC TYPE INSULATED PIPE (NOT INCLUDED) MUST CONFORM TO ULC S110 AND/OR UL 181 STANDARDS AND MUST WITHSTAND TEMPERATURES UP TO 250 °F (121 °C).

INSTALLATION

Ensure the proper functioning of the mechanism before installation.

1

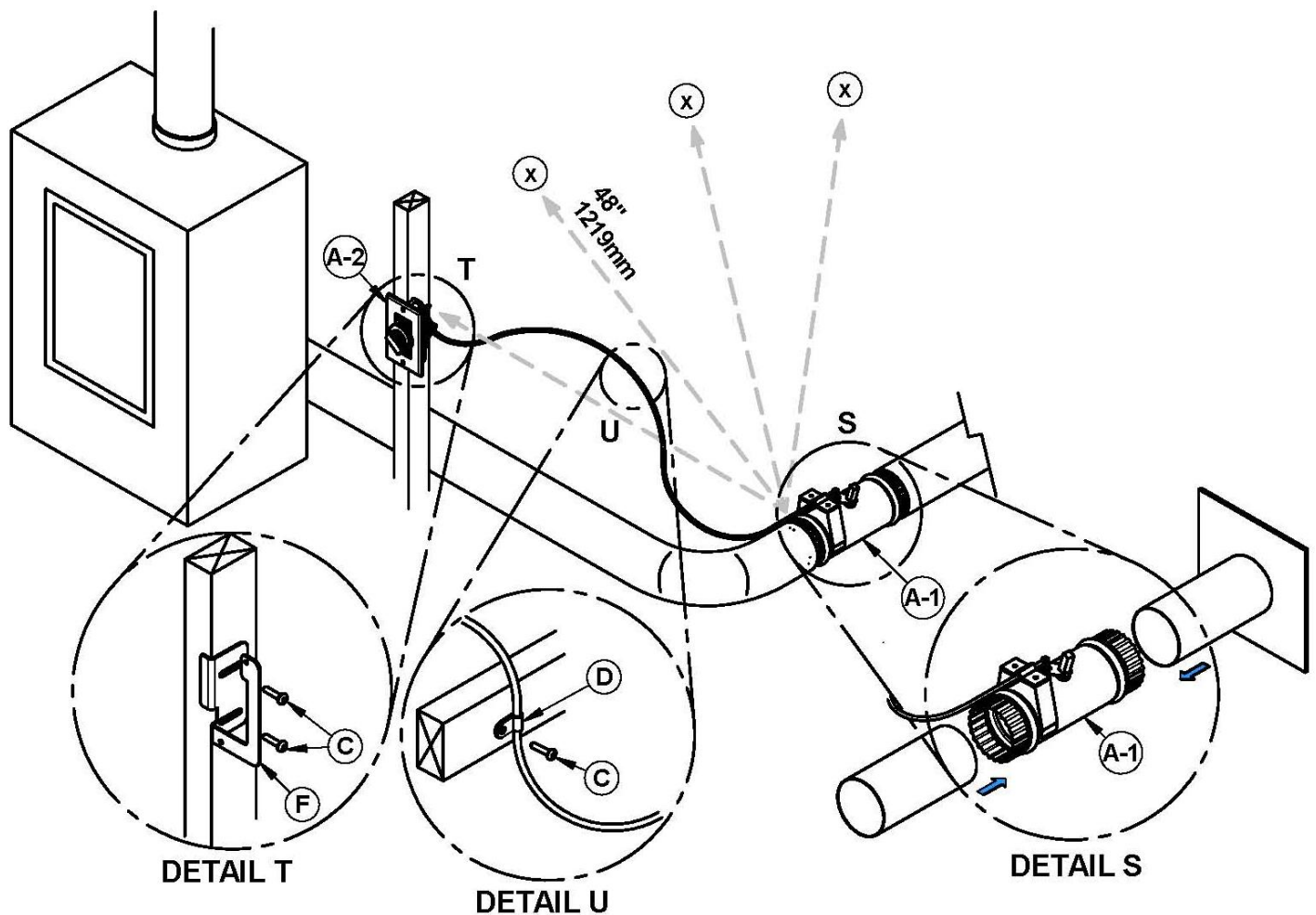
Position the fresh air intake register with airtight damper (**A-1**) according to previous recommendations and determine the position (**x**) of your control (**A-2**). The maximum cable length between (**A-1**) and (**A-2**) is 48" (1219 mm).

2

Connect the insulated pipe from the outside and the one attached to the heating appliance at each end of the registry (**A-1**) (see **DETAIL S**). Secure the 4 pipe ends with a hose clamp (not included).

3

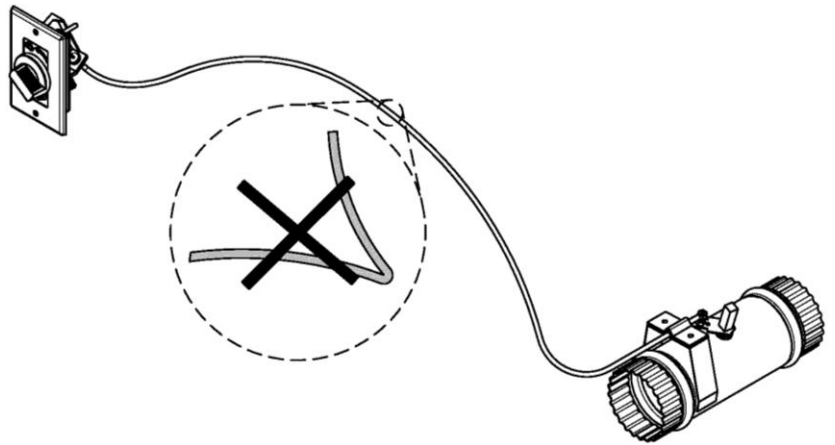
Secure the control support (**F**) with the two screws (**C**), on the right side of a structure stud, at the position determined in **Step 1** (see **DETAIL T**).



4

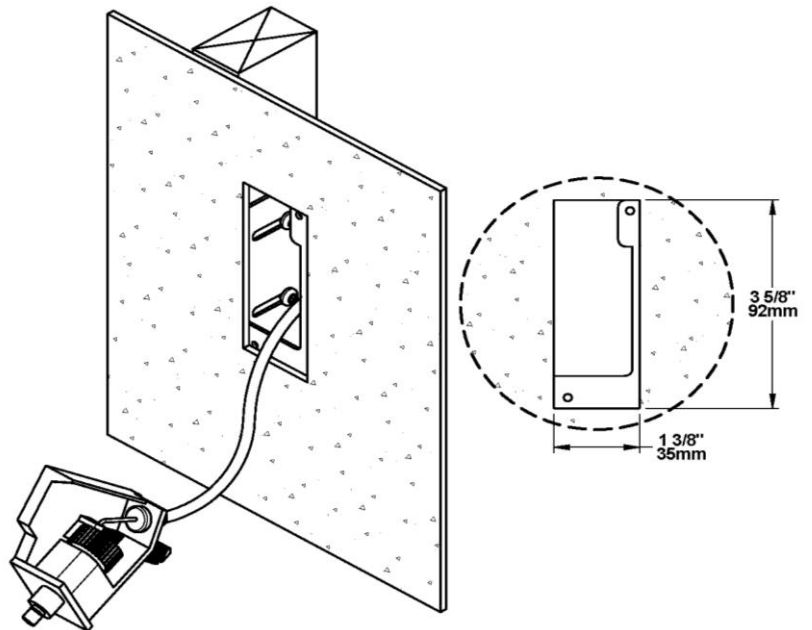
Secure the cable on the structure (see **DETAIL U**) using of the retaining clip (**D**) and the screw (**C**).

CAUTION: DO NOT BEND THE WIRE. THIS COULD AFFECT THE PROPER OPERATION OF THE DAMPER.



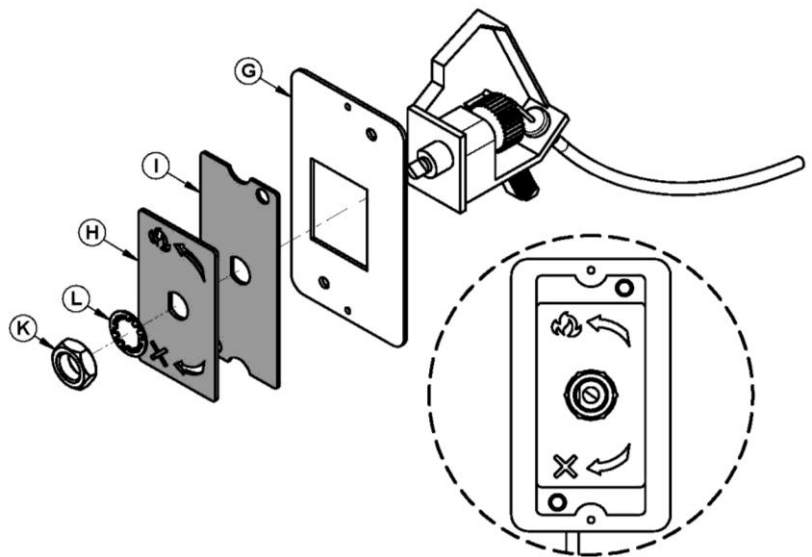
5

Cut a 1 3/8" (35 mm) x 3 5/8" (92 mm) opening in the wall to install the control. It is important to clear the mounting holes.



6

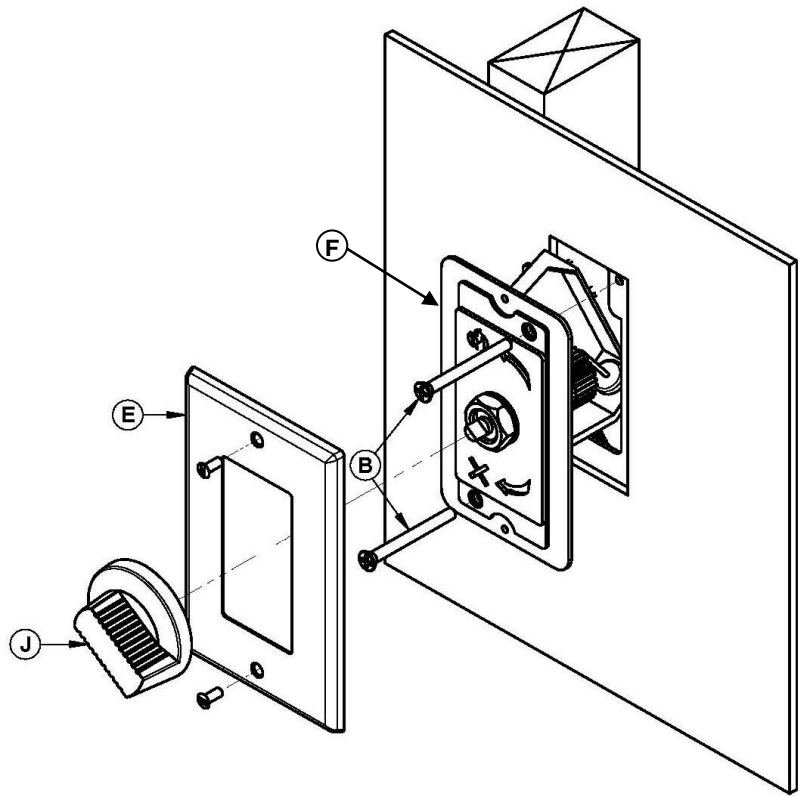
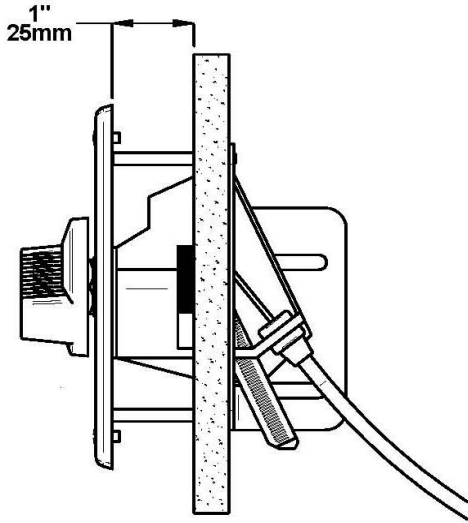
Assemble the fresh air intake register control starting with part (**G**) followed by (**I**) and (**H**). Secure the pieces with the lock washer (**L**) and nut (**K**).



7

Secure the assembled control (F) to the control support with the two screws (B) followed by the cover plate (E) and the control button (J).

Note: it is possible to install a decorative finish on the wall. The screws provided with the kit allow a 1" (25 mm) thickness from the wall.

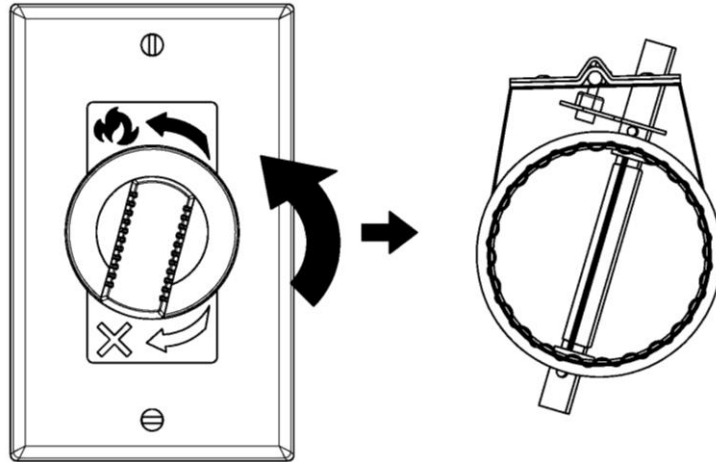


OPERATION

There are 2 possible positions on the fresh air intake register with airtight damper: **OPEN** or **CLOSED**.

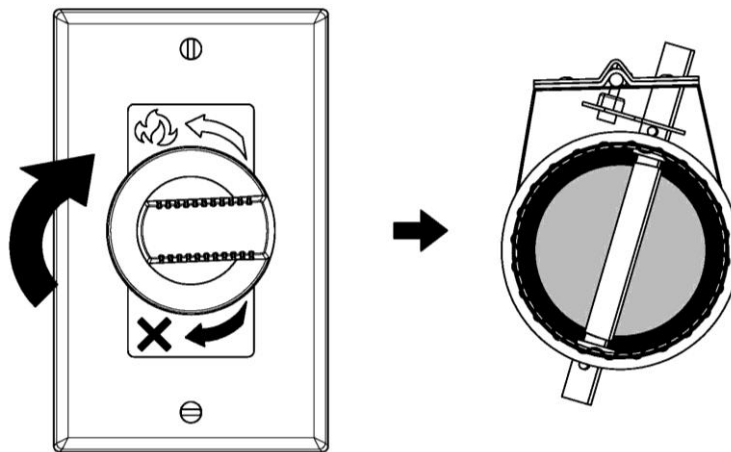
The “**OPEN**” position means that the register’s damper allows in the fresh air from outside. You have to turn the control button counterclockwise to it’s maximum* position.

Open: 



The “**CLOSED**” position means that the register’s damper blocks the air from outside. You have to turn the control button clockwise to it’s maximum* position.

Closed : 



***Important:** It is not the direction of the control button that indicates whether damper of the fresh air intake register is open or closed. It is necessary turn the control button in the desired direction until it stops.