



SLP-FLEXTRAP30B Installation Instructions

Models: SL-550BE-IPI-E, SL-550BE-M-IPI, SL-350, 500, 750TRS-IPI-E, SL-550, 750, 950TR-E, SL-550, 750, 950TR-IPI-E, SL-5, SL-7, SL-7BV, SL-9, SL-3X, SL-5X, SL-7X, SL-9X, SL-5F, SL-7F

CAUTION! Do not install damaged components. If you received components that are damaged, contact your dealer for assistance.

The SLP-FLEXTRAP30B is NOT approved for all Hearth & Home Technologies models.

Installation MUST comply with local, regional, state and national codes and regulations. Check with your local building code agency before you begin installation to ensure compliance with local codes, including the need for permits and follow-up inspections. If you encounter any problems regarding code approvals, or if you need clarification of any of the instructions contained here, contact your Hearth & Home Technologies dealer. For a dealer nearest you, please visit www.hearthnhome.com.

CAUTION! Risk of Cuts or Abrasions. Wear protective gloves and safety glasses during installation. Sheet metal edges are sharp.

Kit Components

- SLP-TRAP1 Termination Cap
- SLP-WS Wall Shield Firestop
- 15 in. to 24 in. Flexible Coaxial Vent Section
- Fastener Pack
- Stove Cement

A. Framing

Follow the instructions in the Vent Clearances and Framing section of the appliance installation manual included with the appliance.

WARNING! Risk of Fire! Maintain air space clearance to vent. **DO NOT** pack insulation or other combustibles:

- Between ceiling firestops
- Between wall shield firestops
- Around vent system

Failure to keep insulation or other material away from vent pipe may cause overheating and fire.

B. Wall Penetration Framing

Combustible Wall Penetration

Whenever a combustible wall is penetrated, you must frame a hole for the wall shield firestop(s). The wall shield firestop maintains minimum clearances and prevents cold air infiltration.

- The opening must be framed on all four sides using the same size framing materials as those used in the wall construction.
- SLP pipe - A wall shield firestop must be placed on each side of an interior wall. A minimum 1-1/2 in. (38 mm) overlap of attached heat shields must be maintained.
- See Sections C and D. for information for regarding the installation of a horizontal termination cap.

Non-Combustible Wall Penetration

If the hole being penetrated is surrounded by non-combustible materials such as concrete, a hole with diameter one inch greater than the pipe is acceptable.

Whenever a non-combustible wall is penetrated, the wall shield firestop is only required on one side and no heat shield is necessary.

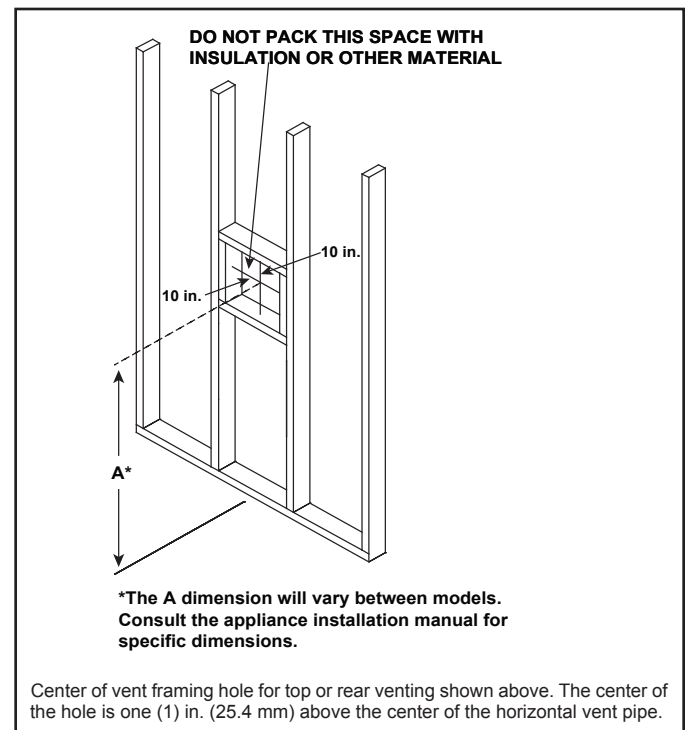


Figure 1. Wall Penetration

Important Notice: Heat shields may not be field constructed.

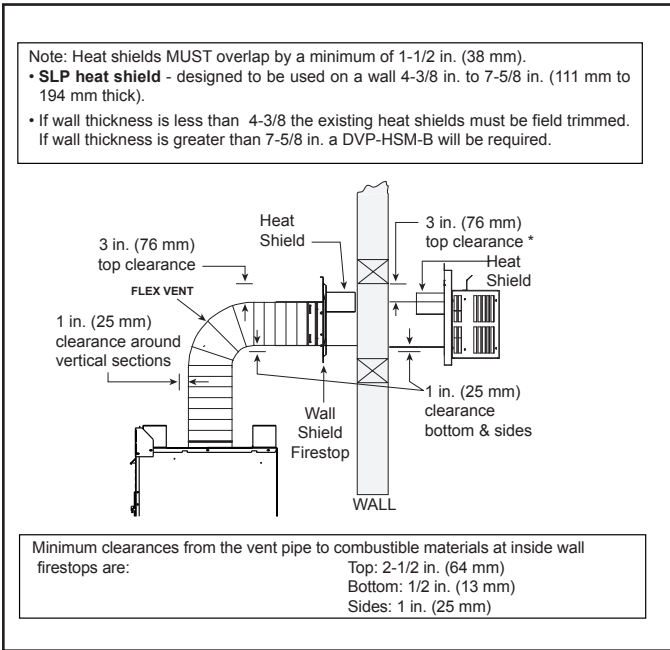


Figure 2. Minimum Vent Pipe Clearances

C. Heat Shield Requirements for Horizontal Termination

WARNING! Risk of Fire! To prevent overheating and fire, heat shields must extend through the entire wall thickness.

- **DO NOT** remove the heat shields attached to the wall shield firestop and the horizontal termination cap (shown in Figure 10.20).
- Heat shields must overlap 1-1/2 in. (38 mm) minimum.

There are two sections of the heat shield. One section is factory-attached to the wall shield firestop. The other section is factory-attached to the cap. See Figure 2.

- If the wall thickness does not allow the required 1-1/2 in. (38 mm) heat shield overlap when installed, an extended heat shield must be used.
- If the wall thickness is less than 4-3/8 in./ 111 mm (SLP), the heat shields on the cap and wall shield firestop must be trimmed. A minimum 1-1/2 in. (38 mm) overlap MUST be maintained.
- Use an extended heat shield (DVP-HSM-B) if the finished wall thickness is greater than 7-5/8 in. (194 mm).
- The extended heat shield may need to be cut to length maintaining sufficient length for a 1-1/2 in. (38 mm) overlap between heat shields.
- Attach the extended heat shield to either of the existing heat shields using the screws supplied with the extended heat shield. Refer to vent components diagrams in the back of the appliance manual.
- Rest the small leg on the extended heat shield on top of the pipe section to properly space it from the pipe section.

D. Installation

1. Complete framing for penetration of wall for horizontal termination. See Figure 1.
 2. Fasten SLP-WS wall shield firestop to the interior side of the 10 in. x 10 in. framed opening. See Figure 2.
 3. Install flexible vent section to the top starting collar of the appliance.
 4. Install a bead of stove cement to the interior of the outer pipe on the flex vent section
 5. Lock the vent components into place by sliding the pipe section onto the collar.
 6. Align the seam of the pipe and seam of collar to allow engagement. Rotate the vent component to lock into appliance. Ensure that flex duct is securely attached to the appliance. Install three screws through the vent collar into the starting collar of the appliance.
 7. Some models require the gasket to be slid over the first vent section and positioned flush to the appliance.
 8. Remove the slip section from the SLP-TRAP2 termination cap.
 9. Apply a bead of stove cement to the interior circumference of the outer pipe on the slip section.
 10. Install the slip section onto the end of the flex vent pipe so that it fully engages.
 11. Install three screws through the connection to ensure it is securely fastened. See Figure 2 and Figure 3.
 12. Carefully form the flexible duct so that the other end aligns with the 6.75 in. diameter opening in the SLP-WS wall shield.
- CAUTION! DO NOT crush, distort, or otherwise modify the dimension of the flexible vent.** Damage could cause appliance to overheat or have performance issues.
13. Install the SLP-TRAP2 termination cap to the exterior of the structure. See Section E. In some installations, the flexible vent may need to pass through the SLP-WS wall shield firestop. The flexible vent outside diameter exceeds the diameter of the hole in the SLP-WS. The diameter of the inner hole of the SLP-WS will need to be increased from 6-3/4 inches to 7-1/4 inches. This modification can be made by trimming 1/4 inch evenly around the circumference of the inner hole of the SLP-WS. See Figure 3. This modification is not required in installations where the SLP-TRAP slip section projects through the SLP-WS.
 14. Install the slip section on the end of the flex vent into the male end of the termination cap. Ensure that the two overlap at least 1-1/2 inches. See Section C.
 15. Apply a bead of stove cement to the slip section connection.

The flex vent must be supported with the spacing between support intervals not exceeding four feet, with no more than 1/2 inch sag between supports.

A support is required at each change in venting direction, and in any location where it is necessary to maintain the necessary clearances to combustibles. A simple “up and out” installation requires only enough support to maintain the necessary clearance to combustibles. However, the vent attachment point and the firestop locations are considered to be supports.

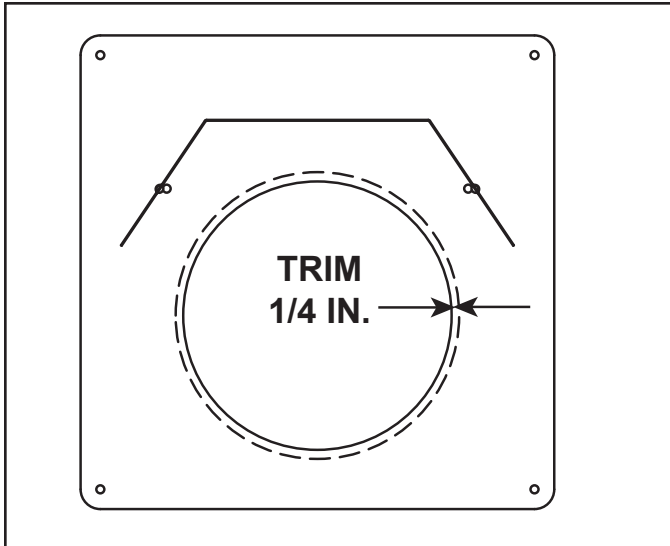


Figure 3. Trim SLP-WS

E. Install Horizontal Termination Cap

WARNING! Risk of Fire! The telescoping flue section of the termination cap **MUST** be used when connecting vent.

- 1-1/2 (38 mm) minimum overlap of flue telescoping section is required.

Failure to maintain overlap may cause overheating and fire.

- Vent termination must not be recessed in the wall. Siding may be brought to the edge of the cap base.
- Flash and seal as appropriate for siding material at outside edges of cap.
- When installing a horizontal termination cap, follow the cap location guidelines as prescribed by current **ANSI Z223.1** and **CAN/CGA-B149** installation codes.

CAUTION! Risk of Burns! Local codes may require installation of a cap shield to prevent anything or anyone from touching the hot cap.

Note: When using termination caps with factory-supplied heat shield attached, no additional wall shield firestop is required on the exterior side of a combustible wall.

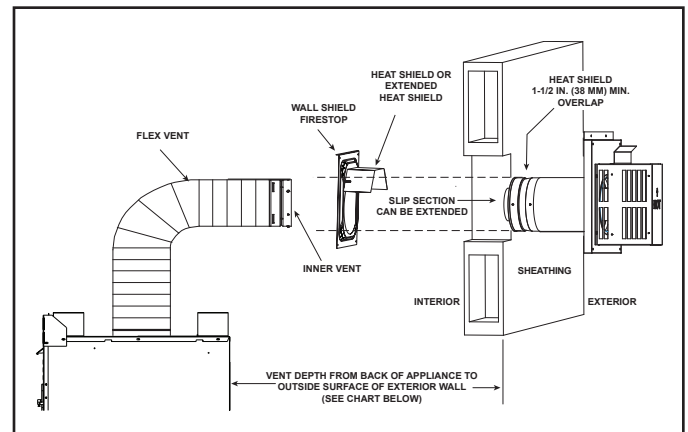


Figure 4. Horizontal Termination



Please contact your Hearth & Home Technologies dealer with any questions or concerns.
For the location of your nearest Hearth & Home Technologies dealer,
please visit www.hearthnhome.com

Hearth & Home Technologies
7571 215th Street West, Lakeville, MN 55044
www.hearthnhome.com