



THE OUTDOOR  
GREATROOM  
COMPANY

## Kinney Fire Table

Installation Instructions for Kinney Fire Pit Table  
KN-1224





## IMPORTANT



Please consult your Crystal Fire® Plus instruction manual for detailed instructions and important information related to the burner installation including: lighting and operating instructions, safety information, and proper tightening of connections with two wrenches.

**DO NOT ATTEMPT TO INSTALL CRYSTAL FIRE® PLUS BURNER WITHOUT CONSULTING THE CRYSTAL FIRE® PLUS OWNER'S MANUAL.**

## CONTENTS

---

1. About Your Fire Table .....	2
a. Required Tools	
b. Included With Your Fire Pit	
2. Assembly Instructions .....	3
a. Unpacking	
b. CF-SPARKER Installation	
3. Setting Up Your Burner .....	4
a. Gas Connections	
b. Electrode Installation	
c. Propane Tank Installation	
4. Miscellaneous .....	7
a. Fire Media Installation	
b. Glass Cover Installation	
c. Burner Cover Storage	
5. Operating Instructions .....	9
6. Warnings .....	10

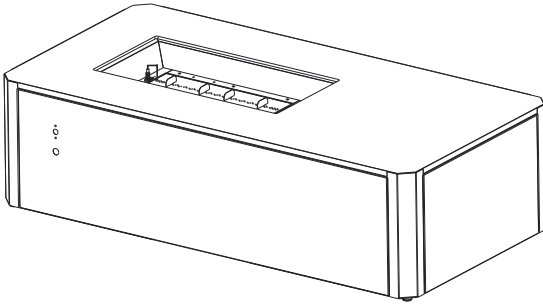


# 1. ABOUT YOUR FIRE TABLE

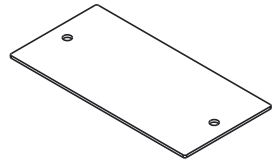
## A. REQUIRED TOOLS

- Utility Knife -  
To cut and remove packaging
- 2 Open Ended Wrenches -  
To secure gas connections
- Phillips Screw Driver (*Do not use a drill to assemble*) -  
For assembly
- One AAA Battery (*Not Included*)-  
Required for electric spark igniter installation

## B. INCLUDED WITH YOUR FIRE PIT



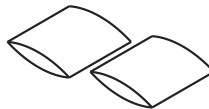
Fully Assembled Kinney Fire  
Table with CFP1224 Burner  
(1)



Grey Glass Burner Cover  
(1)



Control Valve Knob and  
Sparker



Bags of Glass Beads(2)



## IMPORTANT



Standard LP tank will not fit under table. A special horizontal LP tank can be purchased to fit.

**STANDARD TANK CAN BE USED, MUST BE KEPT OUTSIDE OF TABLE.  
DO NOT TIP STANDARD 20 LBS. TANK ON SIDE.**



## 2. ASSEMBLY INSTRUCTIONS



### WARNING



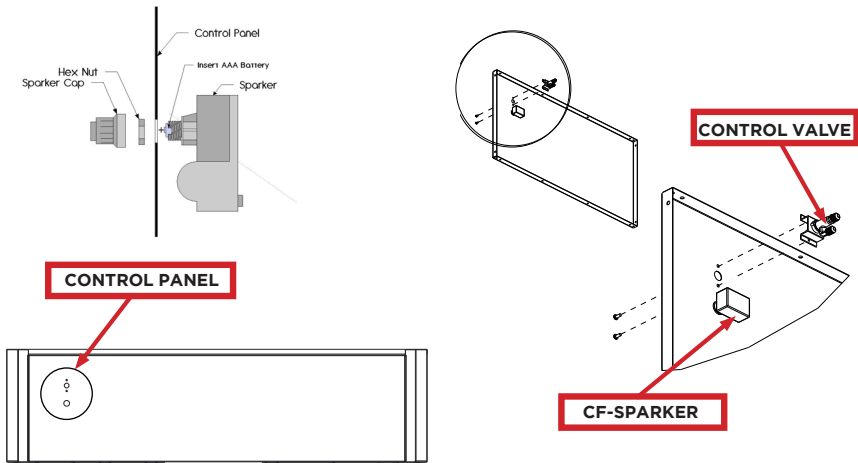
Exposed edges may be sharp, use leather gloves when removing packaging and handling the base.

### A. UNPACKING

- Do not discard any packaging until assembly is complete and unit is tested.
- Keep all included manuals in a safe place for future reference.
- Two people are recommended to remove table from packaging.
- Place table in desired location before installing control valve and gas connection.

### B. CF-SPARKER INSTALLATION

- Remove CF-SPARKER cap and hex nut. Insert AAA battery (*not included*) with + end out.
- Unscrew mounting screws from control valve. Install CF-SPARKER on to control panel as shown below. Reconnect mounting screws and control valve to control panel.
- Press in CF-SPARKER button to test your sparker.



## 3. SETTING UP YOUR BURNER

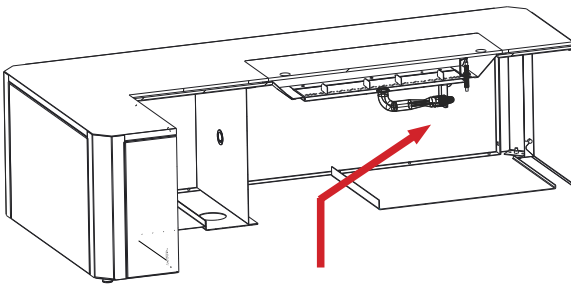
### ⚠ ATTENTION ⚠

Read and understand your Crystal Fire® Plus owner's manual before beginning burner hookups or using the device.

**DO NOT USE TEFLON TAPE OR PIPE DOPE ON FLARE FITTINGS.**

#### A. GAS CONNECTIONS

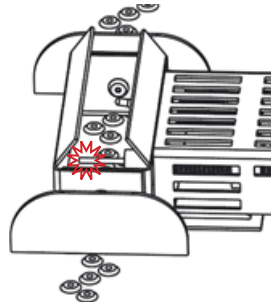
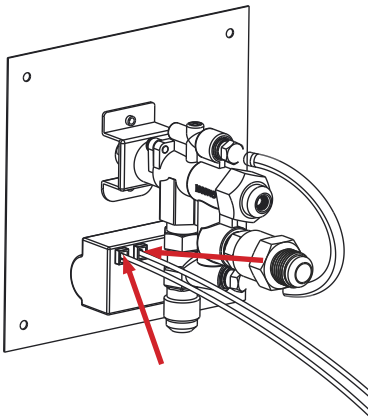
- See Crystal Fire® Plus instructions for burner installation.
- All gas connections were completed at the factory.
- Check all connections for leaks. If needed, tighten connection with 2 wrenches and re-check for leaks.
- Attach included control valve knob to control valve stem.
- For hard piped installations. Connect the gas supply line (*not included*) to the 3/8" male flare fitting on the valve. **USE TWO WRENCHES TO ENSURE A GAS TIGHT CONNECTION.**
- Run gas pipe up through the opening between the 2 base plates as shown in the image below.





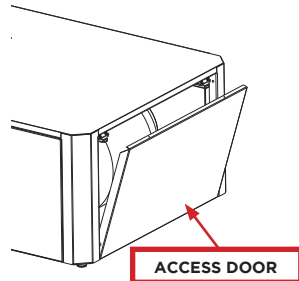
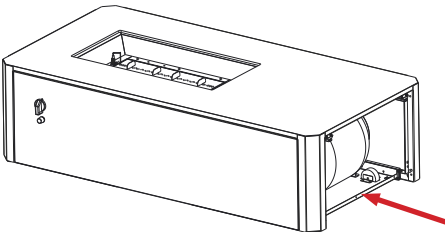
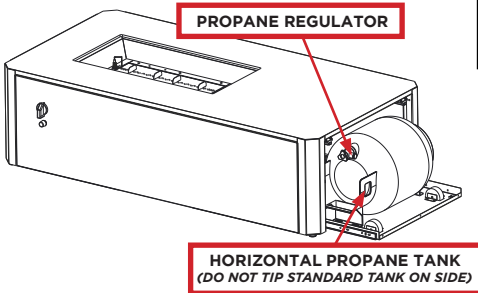
## B. ELECTRODE INSTALLATION

- Connect igniter and ground wire to sparker box. Both wires can connect to either connection point. The unit will operate in either configuration.
- Test system by pushing the button on the igniter. Consult the troubleshooting section of the Crystal Fire® Plus owner's manual if the spark is weak, intermittent or not present.



## C. PROPANE TANK INSTALLATION

- Remove door on front side of table
- Pull out tank drawer.
- With the propane tank valve and fire pit valve off, attach the propane regulator to the propane tank.
- Place tank in tank tray.
- Slide tank drawer in. Ensure no hoses or wires are contacting the bottom of the burner.
- Replace the access door.



### ⚠ ATTENTION ⚠

**HAND TIGHTEN, DO NOT USE A WRENCH FOR THIS CONNECTION.**

### ⚠ ATTENTION ⚠

Over time the bearings in the door glides may require re-greasing. Any spray lubricant, such as WD-40, may be used to lubricate drawer glides. Perform annually or on an as needed basis to maintain smooth operation.

### ⚠ ATTENTION ⚠

**STANDARD LP TANK WILL NOT FIT IN BASE. STANDARD LP TANK MUST SIT OUTSIDE OF BASE. DO NOT TIP STANDARD LP TANK ON ITS SIDE**

Tanks under 14 inches can be used within table but must be kept upright and not on their side.



## 4. MISCELLANEOUS

### A. FIRE MEDIA INSTALLATION

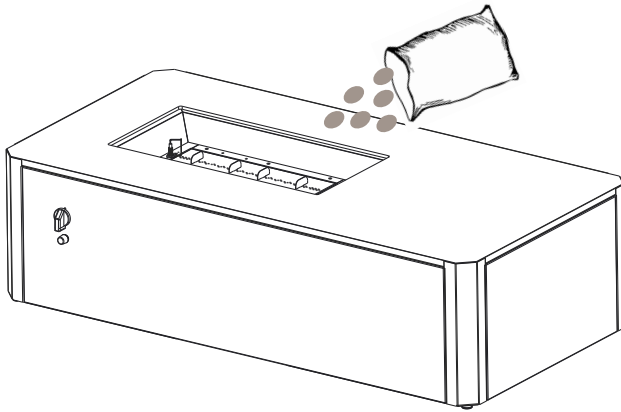
- Scatter all included glass beads, lava rock, or other approved fire media evenly across entire burner surface.



### WARNING



DO NOT OPERATE CRYSTAL FIRE® PLUS BURNER WITHOUT INCLUDED GLASS BEADS OR OTHER APPROVED FIRE MEDIA.



### B. BURNER COVER INSTALLATION

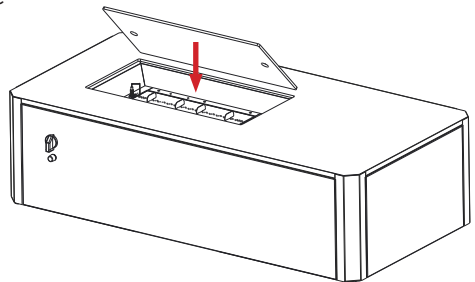
- Fully shut off gas supply to table and turn control valve knob to OFF position. Wait for burner to become cool before placing cover.
- Carefully place the cover on top of the burner.
- Remove burner cover before attempting ignition.



### WARNING



DO NOT OPERATE CRYSTAL FIRE® PLUS BURNER WITH BURNER COVER IN PLACE.

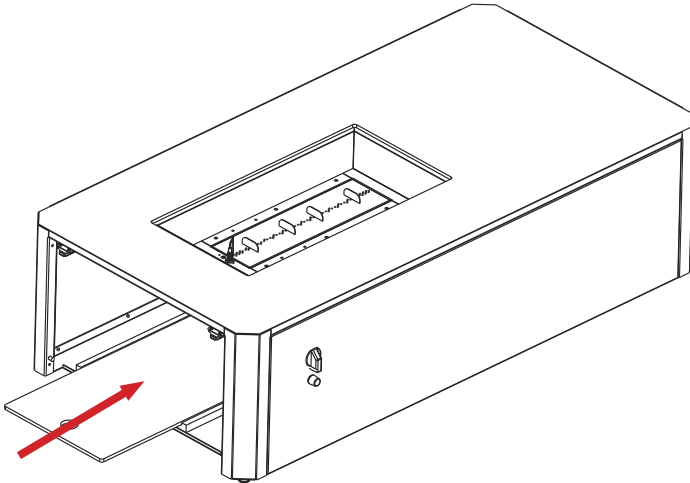




### C. BURNER COVER STORAGE

When not in use, Burner cover can be conveniently stored within table.

- Remove door on back end of table.
- Lay burner cover flat and slide inbetween the two guides. Push cover in enough so that door will not interfere with it once replaced.
- Replace door.





## 5. OPERATING INSTRUCTIONS

### ⚠ IMPORTANT ⚠

**Before operating your KN-1224, ensure all gas connections are properly tightened and thoroughly leak checked. Refer to the Crystal Fire® Plus manual for information on proper leak checking and other critical safety information.**

### ⚠ WARNING ⚠

#### FIRE OR EXPLOSION HAZARD

**If you do not follow these instructions exactly, a fire or explosion may result causing property damage, personal injury, or loss of life.**

Verify control valve is in OFF position. If operating on a self-contained propane cylinder, ensure cylinder valve is CLOSED. If operating on a hard-piped system, ensure main gas supply shut-off valve and all other valves in gas system are OPEN.

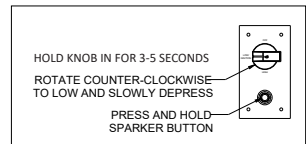
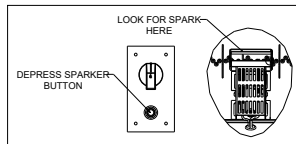
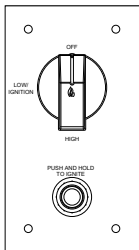
If operating on a self-contained propane cylinder, slowly open cylinder valve.

Press and hold sparker button. Verify an audible and visible spark is present within the ignition wind guard.

Gently press and turn control knob to LOW/IGNITION position. Fully depress control knob and hold for 3-5 seconds. Burner should ignite and continue to operate when control knob is released.

If burner does not light or remain lit after 20 seconds of attempting ignition, turn control valve to OFF position and wait 5 minutes to allow gas to dissipate before attempting ignition again. **DO NOT ATTEMPT TO LIGHT BURNER IF YOU SMELL GAS.**

With burner lit and operating, the flame height can be adjusted between LOW and HIGH at any time.



## 6. WARNINGS

### **IMPORTANT**

Please consult your Crystal Fire® Plus instruction manual for detailed instructions and important information related to the burner installation including: lighting and operating instructions, safety information, and proper tightening of connections with two wrenches.

**DO NOT ATTEMPT TO INSTALL CRYSTAL FIRE® PLUS BURNER WITHOUT FIRST CONSULTING THE CRYSTAL FIRE® PLUS OWNER'S MANUAL.**

### **WARNING**

**After consulting the manual and following instructions, remember: before operating, all gas connections must be fully checked for leaks.**



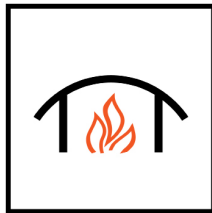
**WARNING:** This product can expose you to chemicals including Carbon Monoxide and Benzene which are known to the State of California to cause cancer or birth defects or reproductive harm. For more information, visit [www.P65Warnings.ca.gov](http://www.P65Warnings.ca.gov)

Thank you for purchasing an  
Outdoor GreatRoom Company  
product! This fire pit was made  
with pride in the USA.



**Warranty:** Fire pit tables are covered under a 1 year  
manufacturer's warranty.

Please visit <http://www.outdoorrooms.com/product-registration>  
to register your product.



9583 217<sup>th</sup> St. W. • Lakeville, MN 55044  
Toll Free: 1-866-303-4028 • [Sales@OutdoorRooms.com](mailto:Sales@OutdoorRooms.com)